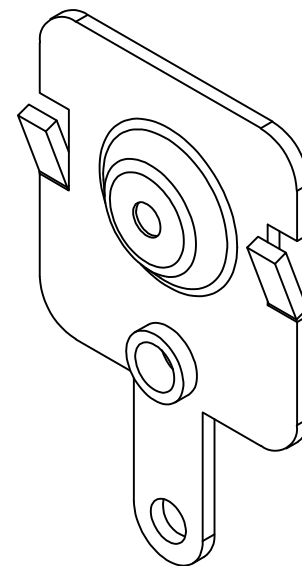
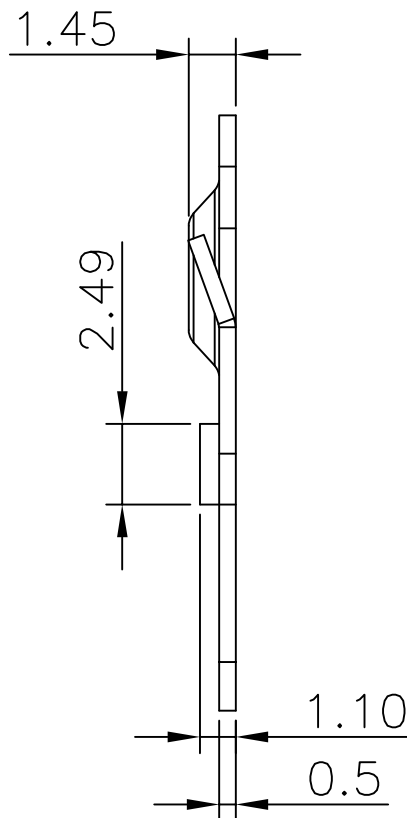
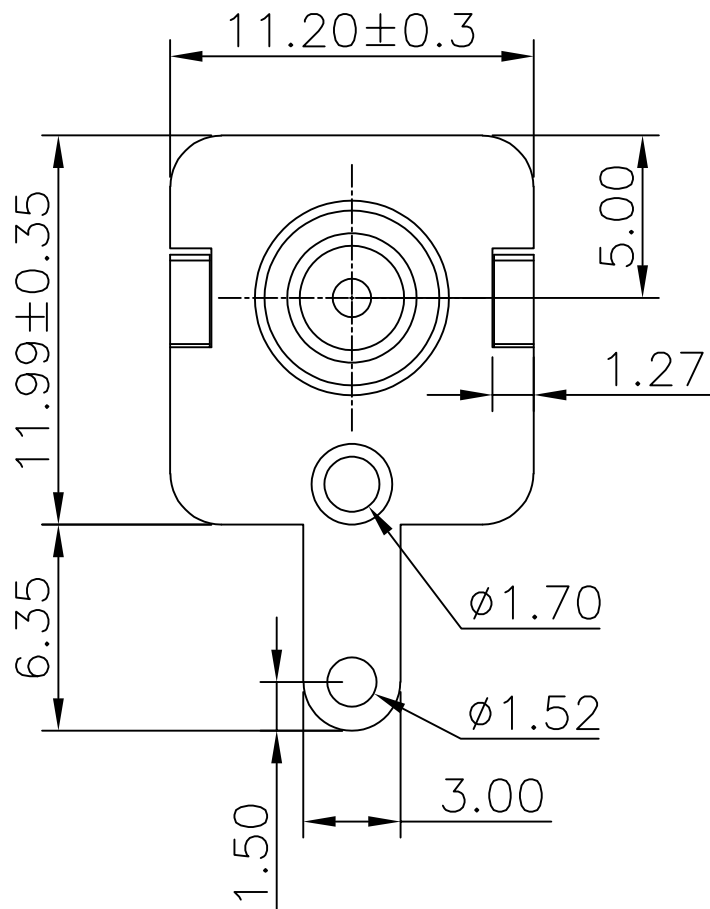




REV.	ECN NO.	REVISED	DATE



工程部
2023-10-23
H. WANG

UNLESS OTHERWISE SPECIFIED TOLERANCES		MYOUNG 美用 www.meiyangdz.com	
DECIMALS: X :±0.30 X.X :±0.25 X.XX :±0.20 X.XXX :±0.10	ANGLES: X :±1° X.X :±0.5°	DSND YangFeng	DATE 2023-10-23
		CHKD WangHeng	DATE 2023-10-23
		APVD XueShunYong	DATE 2023-10-23
WEIGHT:		SCALE:	SIZE: A4
SHEET 1 OF 1		UNIT: mm	REV.: A/0
		VIEW:	OBJECT: MY
		TITLE: T型5号电池连接片正极	
		PART NO.: MY-AA-05	
		DRAW NO.:WD-CP-0106	

1	TERMINAL	1	STEEL, T=0.5MM	Ni-PLATING
NO.	PART NAME	Q'TY	MATERIAL	PLATING & COLOR