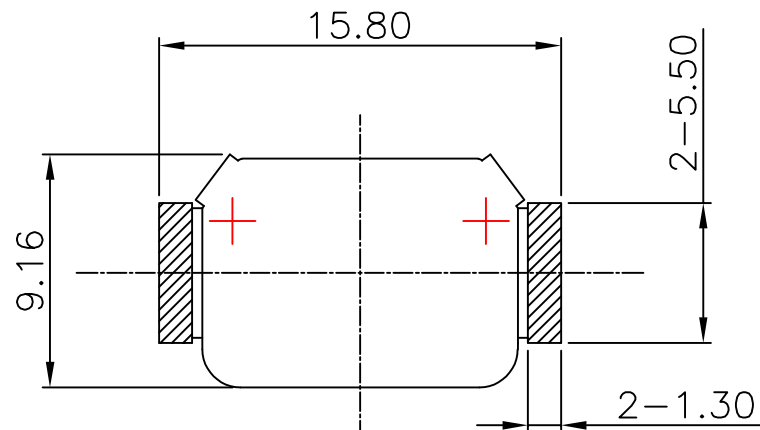
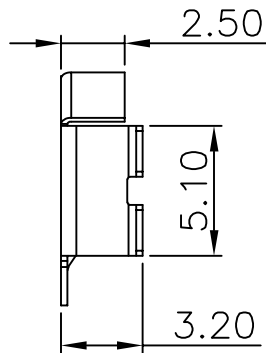
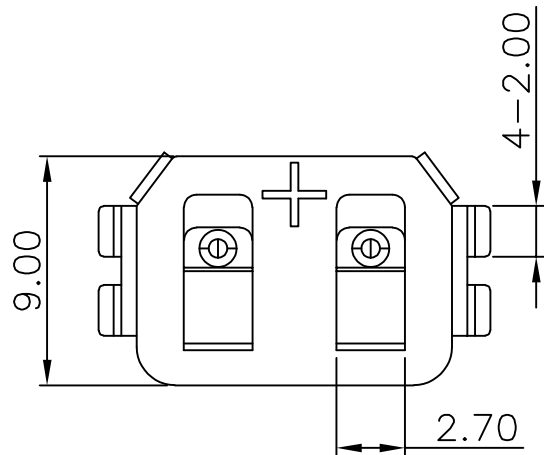
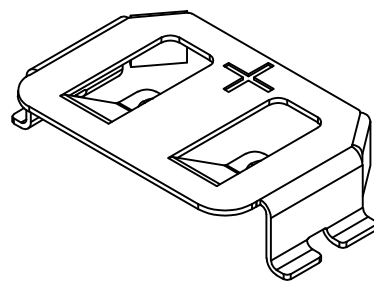
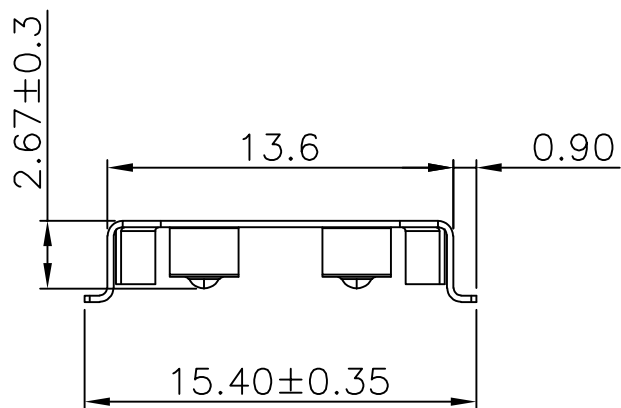




REV.	ECN NO.	REVISED	DATE



PCB Layout Diagram
Top View



UNLESS OTHERWISE SPECIFIED TOLERANCES		MYOUNG 美用 www.meiyangdz.com	
DECIMALS: X :±0.30 X.X :±0.25 X.XX :±0.20 X.XXX :±0.10	ANGLES: X :±1° X.X :±0.5°	DSND YangFeng	DATE 2023-12-07
WEIGHT: 1.315g		CHKD ZhouRuicai	DATE 2023-12-07
SHEET 1 OF 1		APVD XueShunyong	DATE 2023-12-07
TITLE:		SCALE: 2:1	SIZE: A4
PART NO.:		VIEW:	
DRAW NO.:WD-CP-0362		UNIT: mm	REV.: A/0
		OBJECT: MY	

1	TERMINAL(+)	1	PHOSPHOR BRONZE, T=0.25mm	Ni-Plating
NO.	PART NAME	Q'TY	MATERIAL	PLATING & COLOR