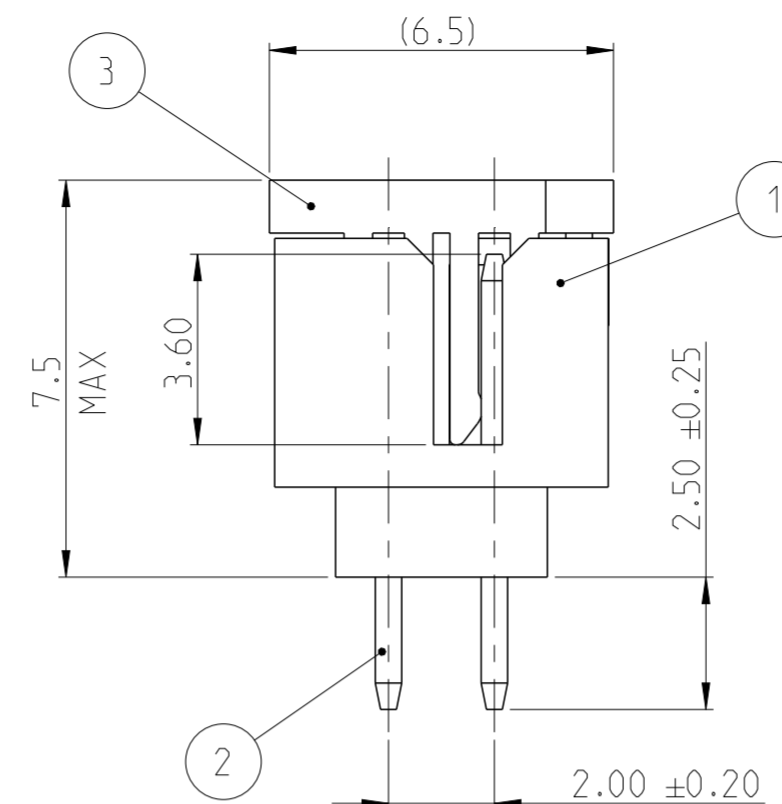
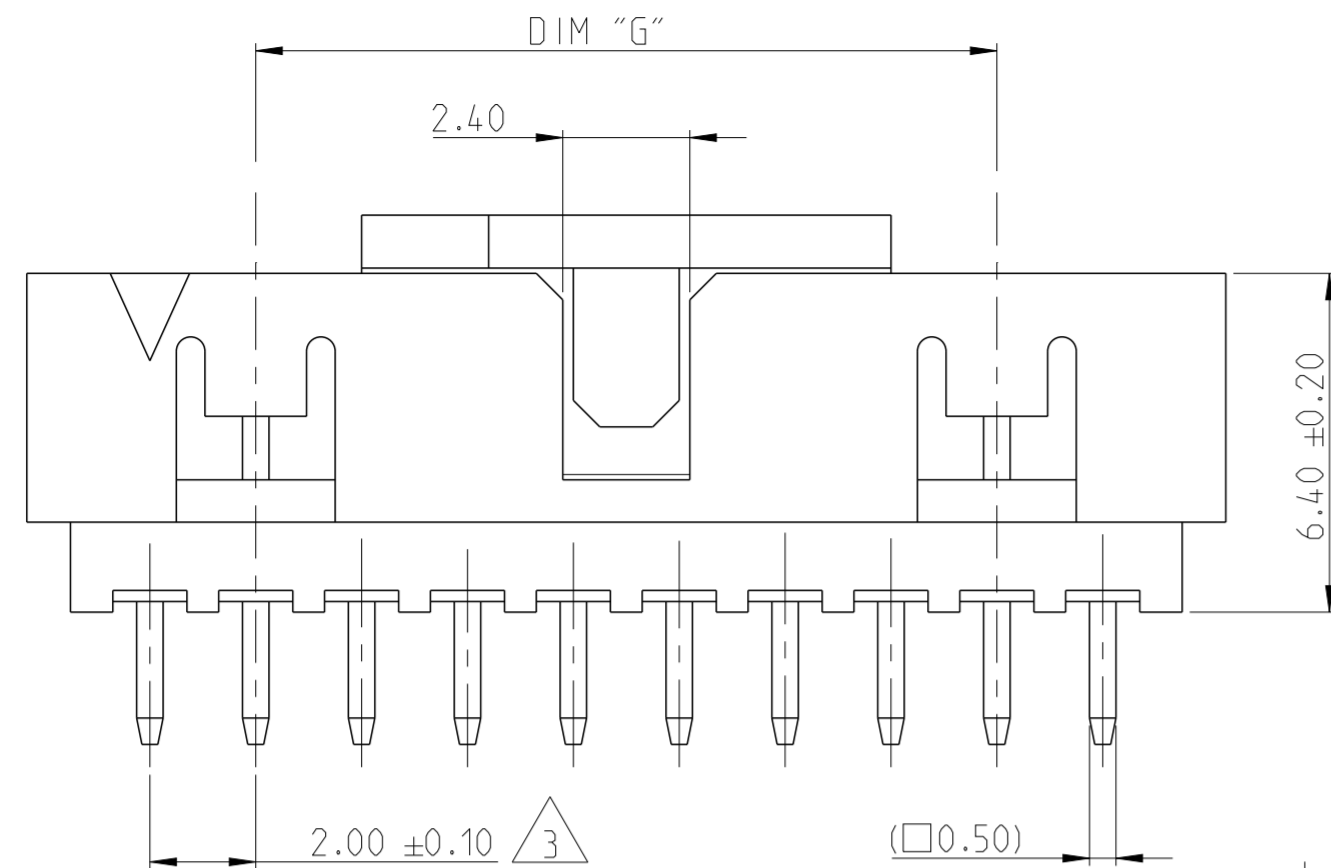
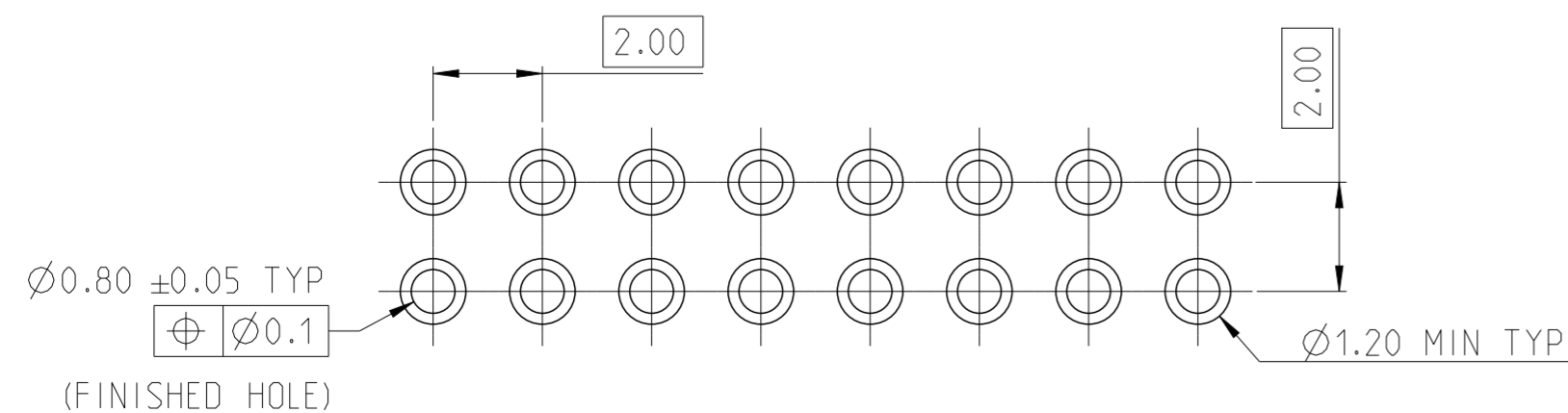
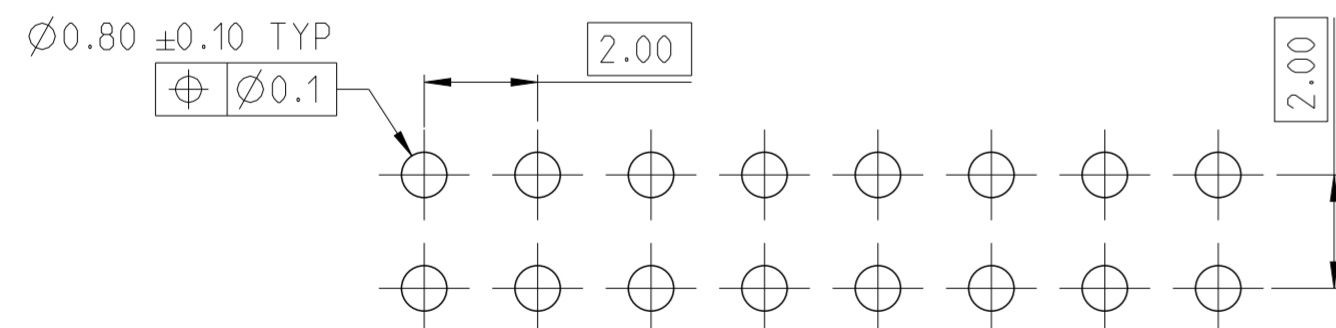
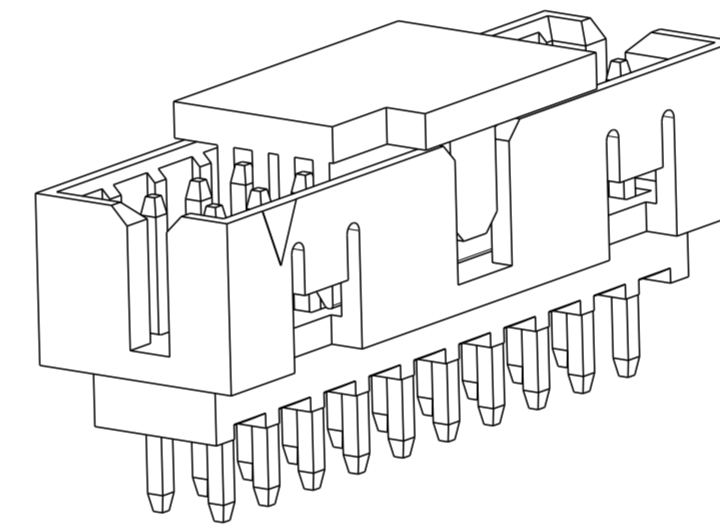
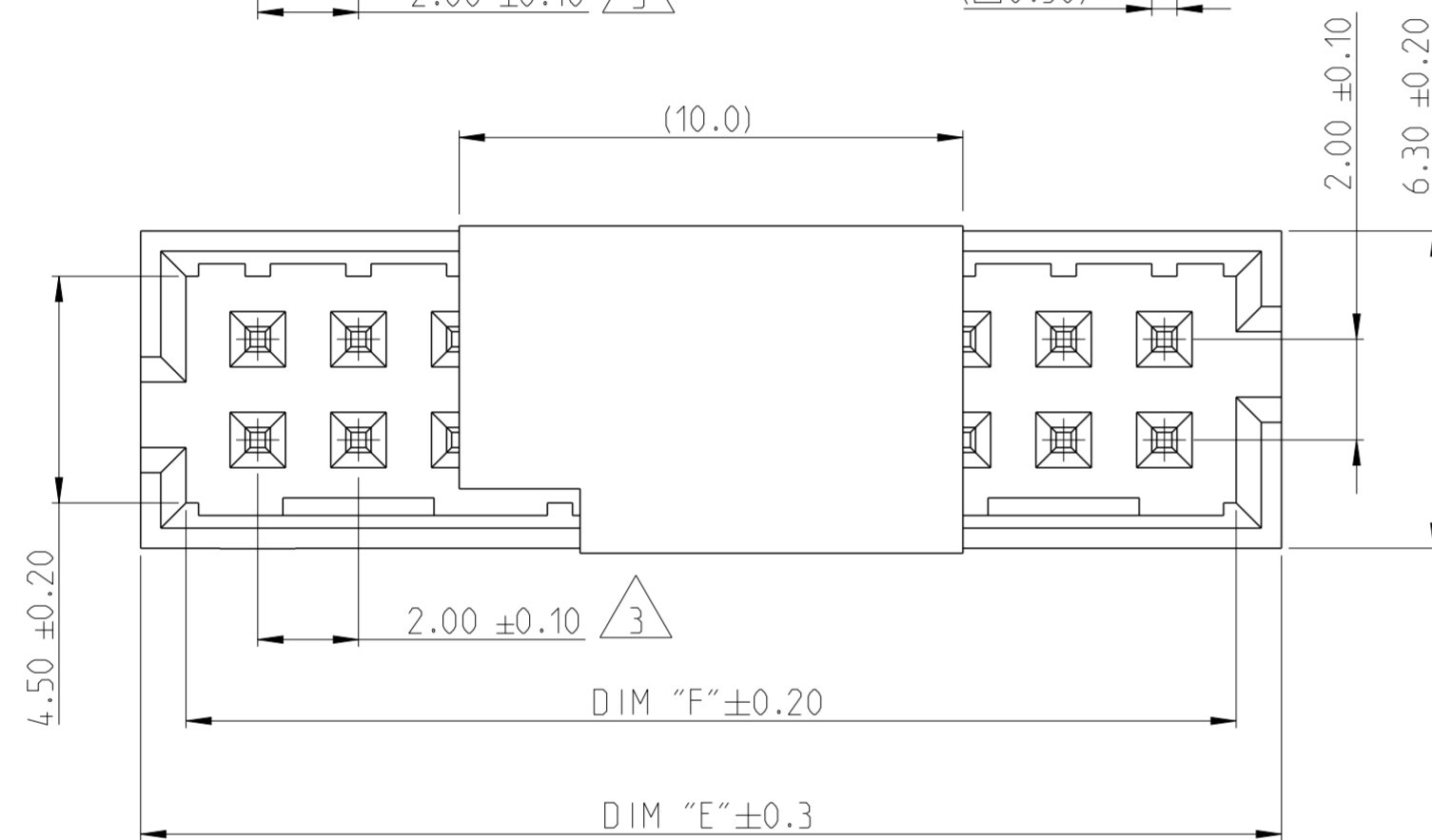


REVISIONS					
P	LTR	DESCRIPTION	DATE	DWN	APVD
	A	RELEASE TO PRODUCTION	09DEC2019	AY	PS



NOTES:

- MATERIAL
HOUSING & P&P CAP : HIGH TEMPERATURE THERMOPLASTIC, UL94-V0; COLOR- BLACK
POST : COPPER ALLOY
FINISH :
MATING SIDE: MIN. 0.38 μm GOLD OVER NICKEL UNDER PLATING.
SOLDER SIDE: MIN. 2.0 μm TIN OVER NICKEL UNDER PLATING.
 - PACKAGING: TAPE AND REEL (WITH PICK AND PLACE CAP)
- △ TOLERANCE NOT CUMULATIVE.



2-2842307-0 AS SHOWN

44	50.85	52.65	50	5-2842307-0
38	44.85	46.65	44	4-2842307-4
34	40.85	42.65	40	4-2842307-0
28	34.85	36.65	34	3-2842307-4
24	30.85	32.65	30	3-2842307-0
20	26.85	28.65	26	2-2842307-6
18	24.85	26.65	24	2-2842307-4
14	20.85	22.65	20	2-2842307-0
10	16.85	18.65	16	1-2842307-6
8	14.85	16.65	14	1-2842307-4
DIM "G"	DIM "F"	DIM "E"	POS.	TE PN.

THIS DRAWING IS A CONTROLLED DOCUMENT.		DWN ANKIT YADAV 12NOV2019
DIMENSIONS: mm		CHK KARTHIK JK 25NOV2019
TOLERANCES UNLESS OTHERWISE SPECIFIED:		APVD PRASHANTH S. 27NOV2019
0 PLC	±	PRODUCT SPEC
1 PLC	±	108-64040
2 PLC	±0.25	APPLICATION SPEC
3 PLC	±	114-32259
4 PLC	±	WEIGHT -
ANGLES	±2°	CUSTOMER DRAWING
FINISH	-	

PICK AND PLACE CAP	3
CONTACT PIN	2
HOUSING	1
DESCRIPTION	ITEM NO.

STE TE Connectivity	
NAME AMPMODU 2mm SHROUDED HEADER, DUAL ROW, VERTICAL TH. 0.38 Au, T/R, WITH PICK AND PLACE CAP	
SIZE A2	CAGE CODE 00779
DRAWING NO. C-2842307	RESTRICTED TO -
SCALE 5:1	SHEET 1 OF 1
REV A	