

Figure 1. Physical Photos of AT8557

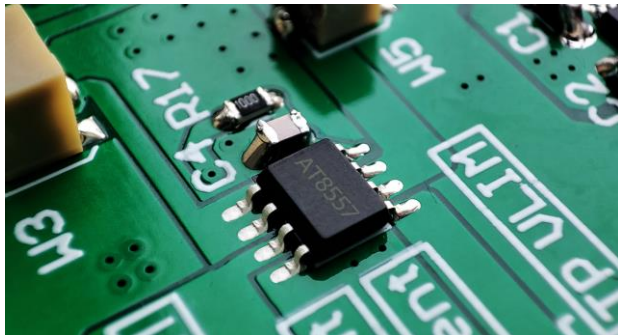


Figure 2. Physical Photos of AT8557

- No External Capacitors Required
- Extended Temperature: -40°C to $+125^{\circ}\text{C}$

APPLICATIONS

- Temperature & Pressure Sensors Amplifier
- Weight Scale & Strain Gage Amplifiers
- Medical/Industrial Instrumentation
- Handheld Test Equipment
- Precision Current Sensing
- Thermocouple Amplifiers

DESCRIPTION

This AT8557 general-purpose CMOS operational amplifiers that provides ultralow noise, offset and power. The AT8557 use auto-zero techniques to simultaneously provide very low offset voltage ($50\mu\text{V}$ max) and near-zero drift over time and temperature.

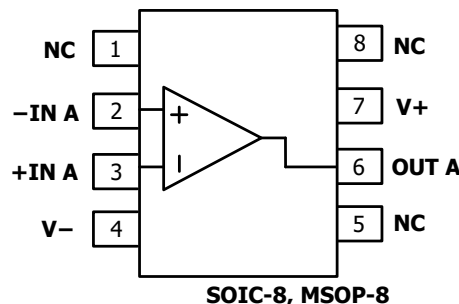
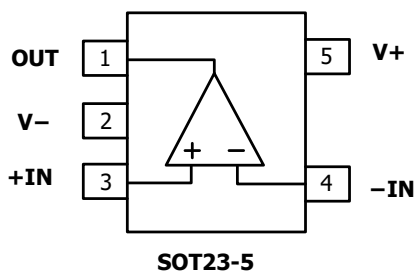
This miniature, high-precision operational amplifiers offset high input impedance and rail-to-rail input and rail-to-rail output swing. With high gain-bandwidth product of 4.3MHz and slew rate of $2.5\text{V}/\mu\text{s}$.

This op amp operates as low as $+2.7\text{V}$ (± 1.35) and up to $+5.5\text{V}$ ($\pm 2.75\text{V}$). The AT8557 amplifier is available in 5-lead SOT23, 8-lead MSOP8 and 8-lead SOIC packages. The AT8557 is specified for the extended industrial and automotive temperature range (-40°C to 125°C).

FEATURES

- Low Offset Voltage: $20\mu\text{V}$ (typ) $50\mu\text{V}$ (max)
- Input Offset Drift: $0.03\mu\text{V}/^{\circ}\text{C}$ (max)
- High Gain Bandwidth Product: 4.3MHz
- Rail-to-Rail Input and Output
- High Gain, CMRR & PSRR: $\geq 120\text{dB}$
- High Slew Rate: $2.5\text{V}/\mu\text{s}$
- Low Noise: $0.93\mu\text{V}_{\text{P-P}}$ ($0.01\sim 10\text{Hz}$)
- Low Power Consumption: $650\mu\text{A}/\text{op amp}$
- Overload Recovery Time: $1\mu\text{s}$
- Low Supply Voltage: $+2.7\text{V}$ to $+5.5\text{V}$

PIN CONFIGURATIONS





PIN DESCRIPTION

Descriptions of the pins are listed in Table 2 (SOT23-5) and Table 3 (MSOP-8 and SOIC-8).

Table 2: Pin Function Table for SOT23-5

AT8557		Symbol	Description
SOT23-5			
1		OUT	Analog Output
2		V-	Negative Power Supply
3		+IN	Noninverting Input
4		-IN	Inverting Input
5		V+	Positive Power Supply

Table 3: Pin Function Table for MSOP-8 and SOIC-8

AT8557		Symbol	Description
MSOP-8	SOIC-8		
1	1	NC	No Internal Connection
2	2	-IN	Inverting Input
3	3	+IN	Noninverting Input
4	4	V-	Negative Power Supply
5	5	NC	No Internal Connection
6	6	OUT	Analog Output
7	7	V+	Positive Power Supply
8	8	NC	No Internal Connection



ABSOLUTE MAXIMUM RATINGS

Table 4.

Parameter	Rating
Supply Voltage, V+ to V-	7.0V
Input Terminals, Voltage (2)	-0.5 to (V+) + 0.5V
Input Terminals, Current (2)	±10mA
Storage Temperature	-65°C to +150°C
Operating Temperature	-40°C to +125°C
Junction Temperature	150°C
Package Thermal Resistance @ T _A = +25°C	
SOT23-5	200°C/W
MSOP-8, SOIC-8	150°C
Lead Temperature (Soldering, 10s)	260°C
ESD Susceptibility	
HBM	5000V
MM	400V

(1) Stresses beyond those listed under Absolute Maximum Ratings may cause permanent damage to the device. These are stress ratings only, and functional operation of the device at these or any other conditions beyond those indicated under Recommended Operating Conditions is not implied. Exposure to absolute-maximum-rated conditions for extended periods may affect device reliability.

(2) Input terminals are diode-clamped to the power-supply rails. Input signals that can swing more than 0.5V beyond the supply rails should be current-limited to 10mA or less.



ESD CAUTION

ESD (electrostatic discharge) sensitive device. Charged devices and circuit boards can discharge without detection. Although this product features patented or proprietary protection circuitry, damage may occur on devices subjected to high energy ESD. Therefore, proper ESD precautions should be taken to avoid performance degradation or loss of functionality.

THERMAL CHARACTERISTICS

Table 5. Thermal Resistance

Package Type	8-Lead MSOP	8-Lead SOIC	5-Lead SOT23	Unit
R _{θJA} Junction-to-ambient thermal resistance	180.3	140.1	220.8	°C/W
R _{θJC} (top) Junction-to-case (top) thermal resistance	48.1	89.8	97.5	°C/W
R _{θJB} Junction-to-board thermal resistance	100.9	80.6	61.7	°C/W
ψ _{JT} Junction-to-top characterization parameter	2.4	28.7	7.6	°C/W
ψ _{JB} Junction-to-board characterization parameter	99.3	80.1	61.1	°C/W



ELECTRICAL CHARACTERISTICS

Limits apply over the specified temperature range: $T_A = -40^{\circ}\text{C}$ to $+125^{\circ}\text{C}$.

(At $T_A = +25^{\circ}\text{C}$, $V_S = 5\text{V}$, $R_L = 10\text{k}\Omega$ connected to $V_S/2$, and $V_{OUT} = V_S/2$, unless otherwise noted.)

Table 6.

Parameter	Symbol	Test Conditions	Min.	Typ.	Max.	Unit
INPUT CHARACTERISTICS						
Offset Voltage	V_{OS}	$V_{CM} = V_S/2$ $T_A = -40^{\circ}\text{C}$ to $+125^{\circ}\text{C}$		20	50	μV
Input Bias Current	I_B	$V_{CM} = V_S/2$ $T_A = -40^{\circ}\text{C}$ to $+125^{\circ}\text{C}$		50		pA
Input Offset Current	I_{OS}	$T_A = -40^{\circ}\text{C}$ to $+125^{\circ}\text{C}$		10		pA
Input Voltage Range	V_{IN}		2.7		5.5	V
Common-Mode Voltage Range	V_{CM}		$(V-) - 0.2$		$(V+) + 0.2$	V
Common-Mode Rejection Ratio	CMRR	$(V-) - 0.2\text{V} < V_{CM} < (V+) + 0.2\text{V}$ $T_A = -40^{\circ}\text{C}$ to $+125^{\circ}\text{C}$	105	120		dB
Offset Voltage Drift	$\Delta V_{OS}/\Delta T$	$T_A = -40^{\circ}\text{C}$ to $+125^{\circ}\text{C}$		0.003	0.2	$\mu\text{V}/^{\circ}\text{C}$
Channel Separation, dc				0.13		$\mu\text{V}/\text{V}$
Open-Loop Gain	A_{OL}	$R_L = 10\text{k}\Omega$, $V_O = 0.3\text{V}$ to 4.7V $T_A = -40^{\circ}\text{C}$ to $+125^{\circ}\text{C}$		105	120	dB
INPUT CAPACITANCE						
Differential				1		pF
Common-Mode				5		pF
OUTPUT CHARACTERISTICS						
Output Voltage High	V_{OH}	$R_L = 100\text{k}\Omega$ to GND $T_A = -40^{\circ}\text{C}$ to $+125^{\circ}\text{C}$	4.99	4.998		V
		$R_L = 10\text{k}\Omega$ to GND $T_A = -40^{\circ}\text{C}$ to $+125^{\circ}\text{C}$	4.95	4.98		V
Output Voltage Low	V_{OL}	$R_L = 100\text{k}\Omega$ to $V+$ $T_A = -40^{\circ}\text{C}$ to $+125^{\circ}\text{C}$		1	10	mV
		$R_L = 10\text{k}\Omega$ to $V+$ $T_A = -40^{\circ}\text{C}$ to $+125^{\circ}\text{C}$		10	30	mV
Output Short-Circuit Limit Current	I_{SC}	$T_A = -40^{\circ}\text{C}$ to $+125^{\circ}\text{C}$		48		mA

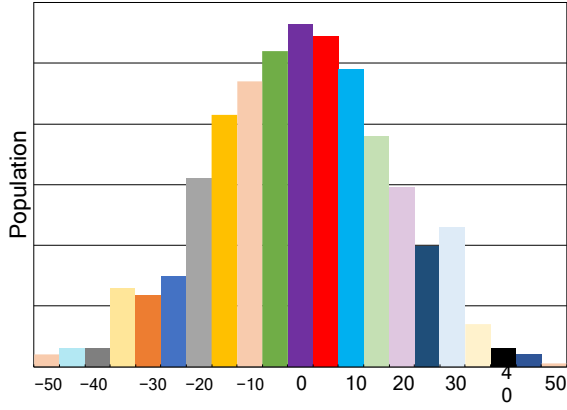


Parameter	Symbol	Test Conditions	Min.	Typ.	Max.	Unit
POWER SUPPLY						
Power Supply Rejection Ratio	PSRR	$V_S = +2.7V$ to $+5.5V$, $V_{CM} = 0$ $T_A = -40^\circ C$ to $+125^\circ C$	105	120		dB
Quiescent Current/Amplifier	I_Q	$V_O = 0$ $T_A = -40^\circ C$ to $+125^\circ C$		650	900	μA
Supply Voltage Range	V_{IN}		2.7		5.5	V
DYNAMIC PERFORMANCE						
Slew Rate	SR	$G=+1$		2.5		V/ μs
Gain Bandwidth Product	GBP			4.3		MHz
Overload Recovery Time				1		μs
NOISE PERFORMANCE						
Voltage Noise	e_n p-p	0.01Hz to 10Hz		0.93		μV p-p
	e_n p-p	0.01Hz to 1Hz		0.32		μV p-p
Voltage Noise Density	e_n	$f = 1kHz$		45		nV/ \sqrt{Hz}
Current Noise Density	i_n	$f = 10Hz$		2.3		fA/ \sqrt{Hz}

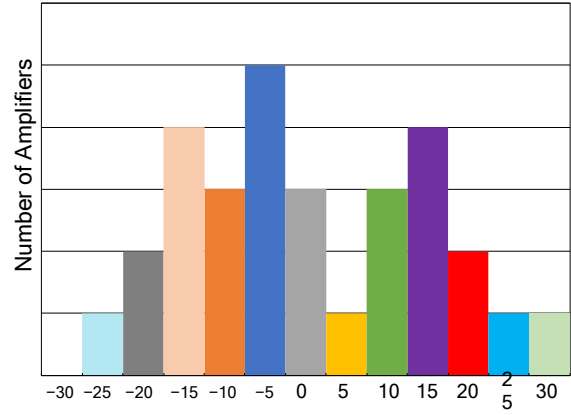


TYPICAL CHARACTERISTICS

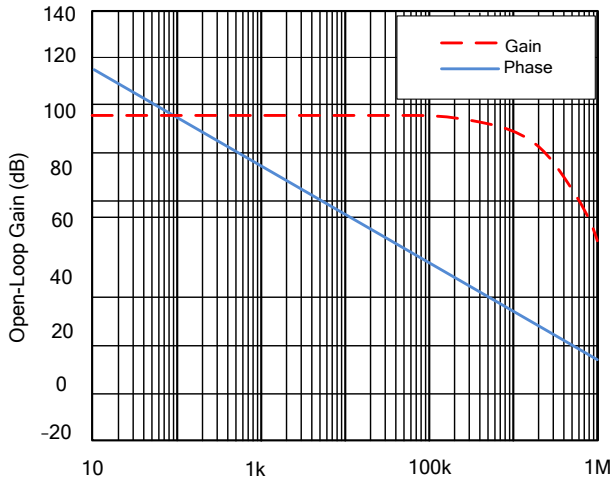
At $T_A = +25^\circ\text{C}$, $V_S = 5\text{V}$, $R_{LOAD} = 10\text{k}\Omega$ connected to $V_S/2$, $V_{OUT} = V_S/2$, unless otherwise noted.



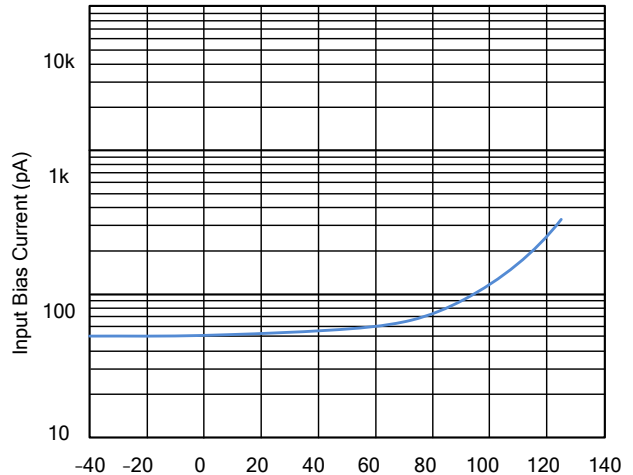
Offset Voltage Production Distribution



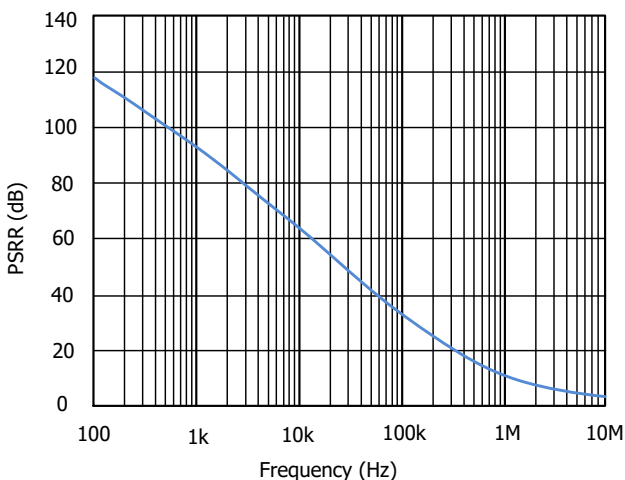
Offset Voltage Drift Production Distribution



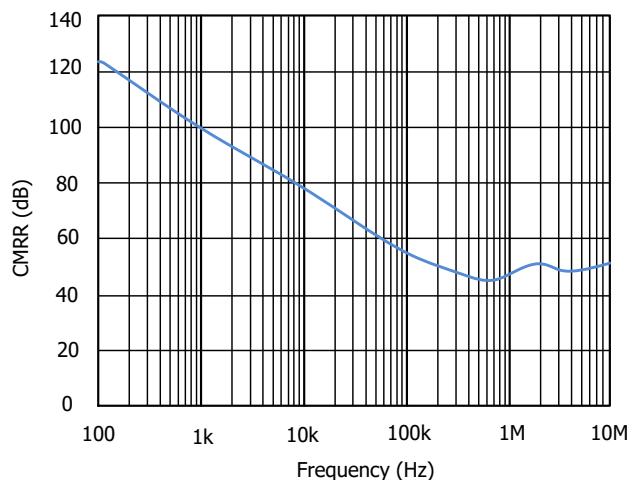
Open-Loop Gain and Phase vs. Frequency



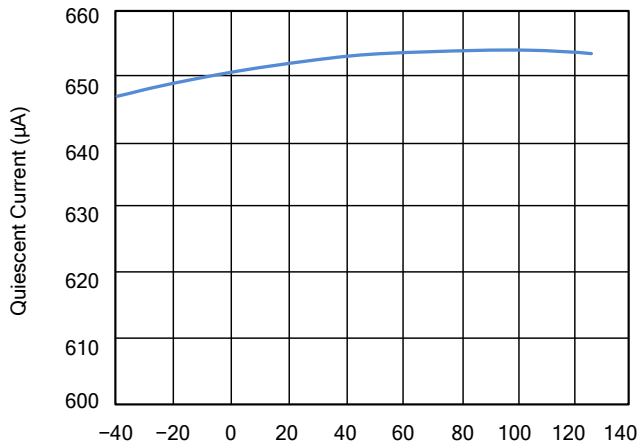
Input Bias Current vs. Temperature



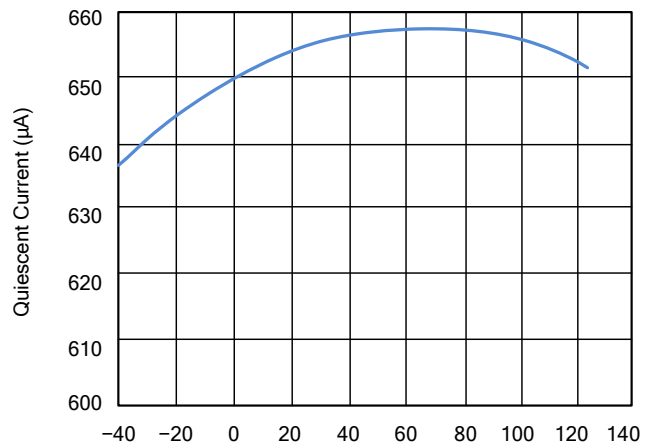
Power-Supply Rejection Ratio vs. Frequency



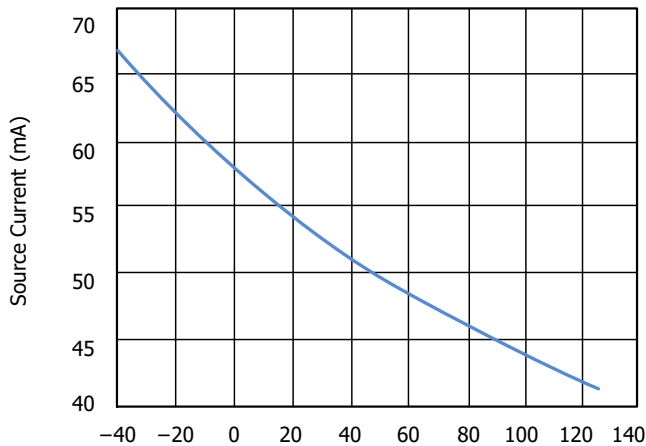
Input Bias Current vs. Temperature



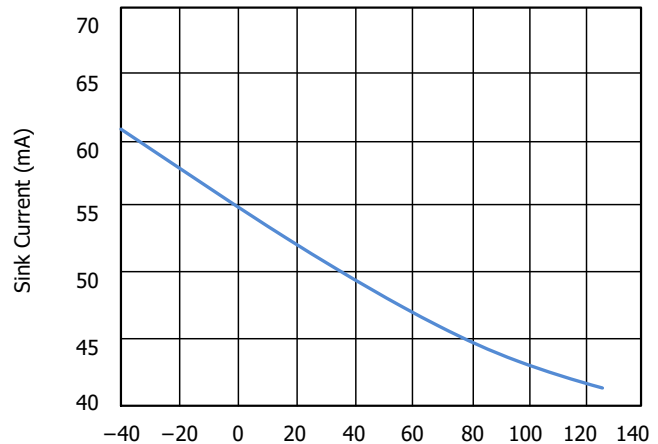
Temperature (°C) Vs=5V
Quiescent Current vs. Temperature



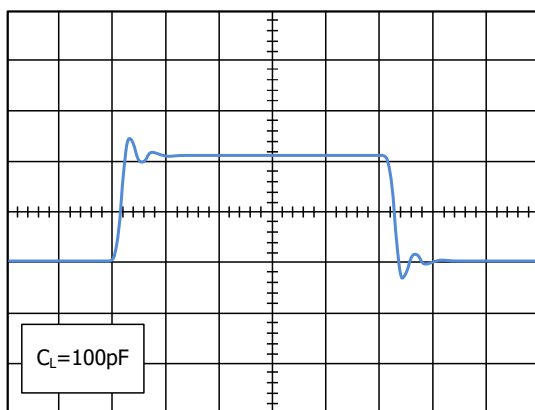
Temperature (°C) Vs=2.7V
Quiescent Current vs. Temperature



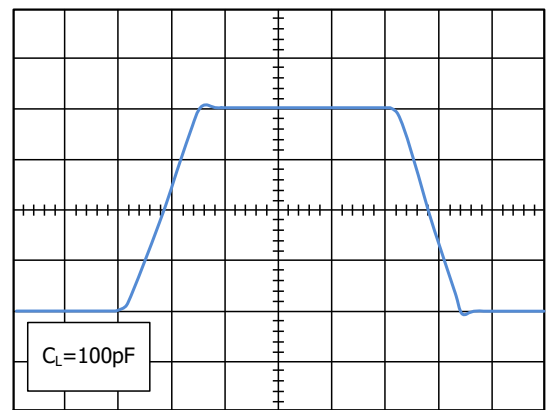
Temperature (°C)
Source Current vs. Temperature



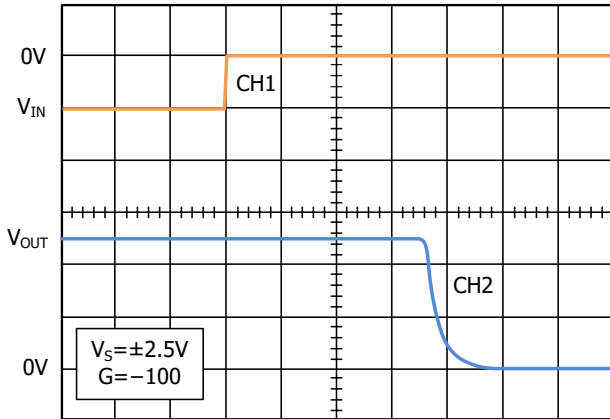
Temperature (°C)
Sink Current vs. Temperature



CH1: 50mV/Div M: 200ns/Div
Small-Signal Step Response

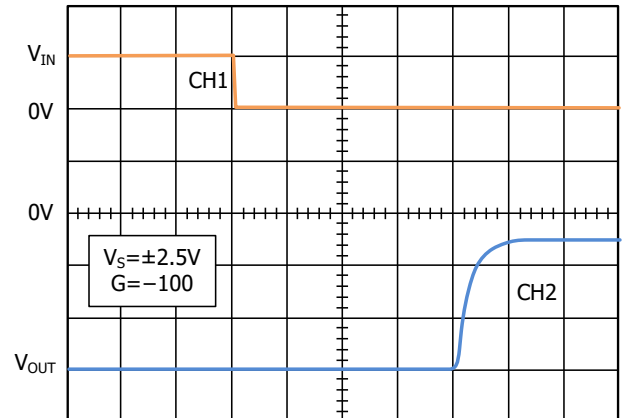


CH1: 1V/Div M: 1µs/Div
Large-Signal Step Response



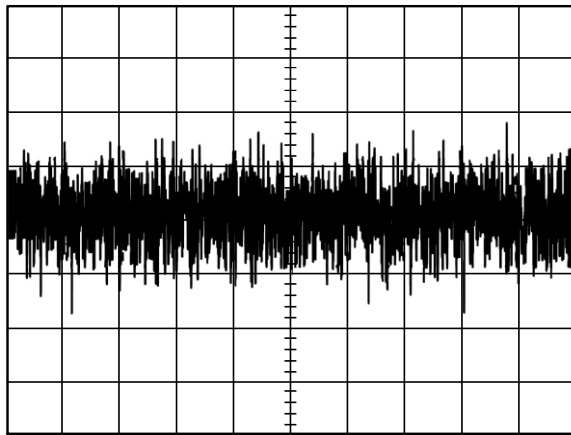
CH1: 200mV/Div CH2: 1V/Div M: 200ns/Div

Positive Overvoltage Recovery



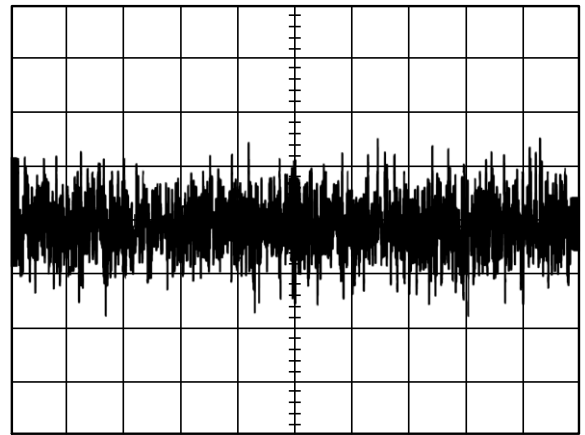
CH1: 200mV/Div CH2: 1V/Div M: 200ns/Div

Positive Overvoltage Recovery



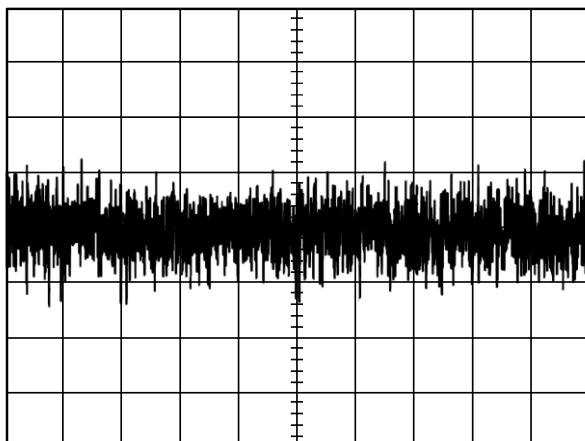
CH1: 200nV/Div M: 10s/Div

0.01Hz To 10Hz Noise at $V_S = 5V$



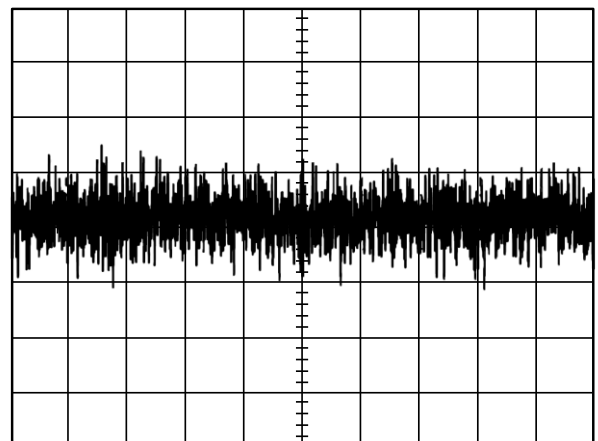
CH1: 400nV/Div M: 10s/Div

0.01Hz to 10Hz Noise at $V_S = 2.7V$



CH1: 100nV/Div M: 10s/Div

0.01Hz to 10Hz Noise at $V_S = 5V$



CH1: 200nV/Div M: 10s/Div

0.01Hz to 10Hz Noise at $V_S = 2.7V$



APPLICATION INFORMATION

The robust design of the AT8557 family provides ease-of-use to the circuit designer due to the unity-gain stability, integrated RFI/EMI rejection filter, no phase reversal in overdrive conditions, and high electrostatic discharge (ESD) protection. They use auto zeroing techniques to provide low offset voltage and very low drift over time and temperature. Good layout practice mandates use of a 0.1µF capacitor placed closely across the supply pins. For lowest offset voltage and precision performance, circuit layout and mechanical conditions should be optimized. Avoid temperature gradients that create thermoelectric effects in thermocouple junctions formed from connecting dissimilar conductors. These thermally-generated potentials can be made to cancel by assuring that they are equal on both input terminals.

- " Use low thermoelectric-coefficient connections (avoid dissimilar metals).
- " Thermally isolate components from power supplies or other heat-sources.
- " Shield op amp and input circuitry from air currents, such as cooling fans.

Following these guidelines will reduce the likelihood of junctions being at different temperatures, which can cause thermoelectric voltages of 0.1µV/°C or higher, depending on materials used.

OPERATING VOLTAGE

The AT8557 operational amplifier family operate over a power-supply range of +2.7V to +5.5V (±1.35V to ±2.75V). Supply voltages higher than 7V (absolute maximum) can permanently damage the amplifier. In addition, many specifications apply from -40°C to 125°C. Power supply pins must be bypassed with 0.1µF ceramic capacitors. Parameters that vary over supply voltage or temperature are shown in the Typical Characteristics section of this datasheet.

MAXIMIZING PERFORMANCE THROUGH PROPER LAYOUT

For best operational performance of the device, use good printed-circuit board (PCB) layout practices, including: Noise can propagate into analog circuitry through the power pins of the circuit as a whole and the operational amplifier. Bypass capacitors are used to reduce the coupled noise by providing low-impedance power sources local to the analog circuitry. Connect low ESR, 0.1µF ceramic bypass capacitors between each supply pin and ground, placed as close to the device as possible. A single bypass capacitor from V+ to ground is applicable for single supply applications. Place the external components as close to the device as possible. Place the external components as close to the device as possible. Keep the length of input traces as short as possible. Always remember that the input traces are the most sensitive part of the circuit. Consider a driven, low-impedance guard ring around the critical traces.

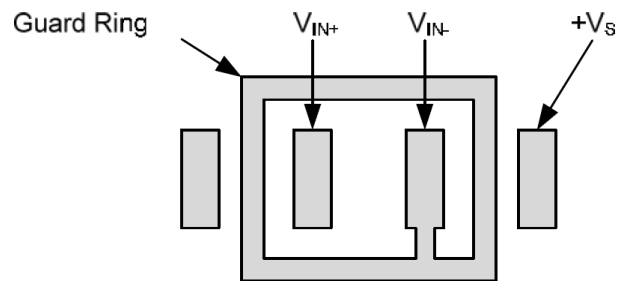
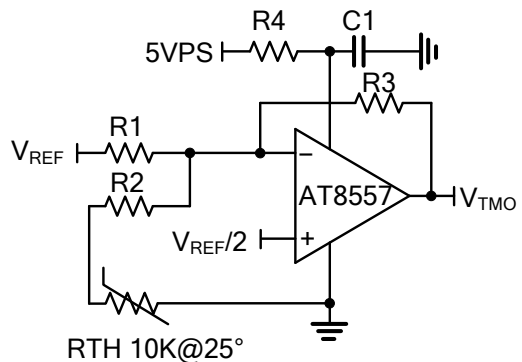


Figure 2. The Layout of Guard Ring

TYPICAL APPLICATION



R1, R2, R3 are TEC temperature control parameters, see Figure 4. Required temperature parameters can



be achieved through adjusting R1, R2 and R3, thus TEC controller can detect the temperature range that users require.

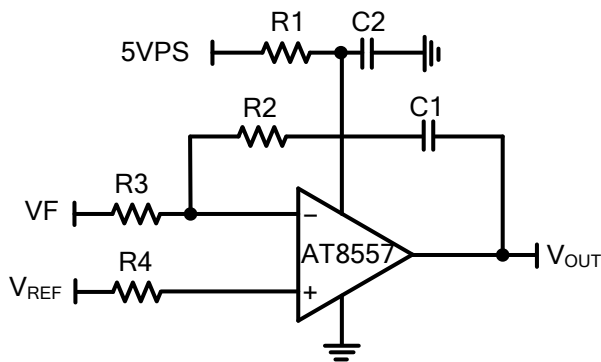
In different temperature ranges, R1, R2 and R3 have different corresponding resistances. R1, R2 and R3 can be determined by:

$$R1 = R_{MID} + \frac{R_{MID}(R_{LOW} + R_{HIGH}) - 2 * R_{LOW} * R_{HIGH}}{R_{LOW} + R_{HIGH} - 2 * R_{MID}}$$

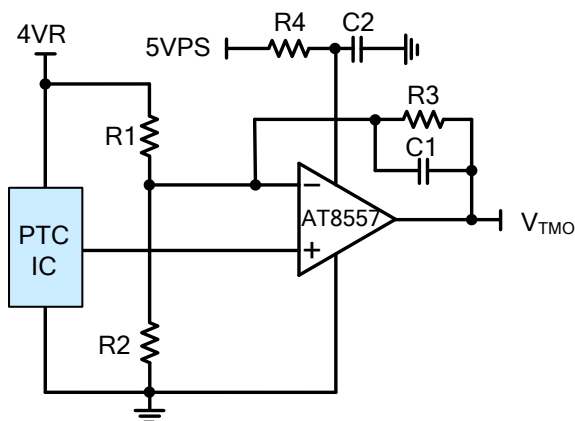
$$R2 = R1 - R_{MID}$$

$$R3 = \frac{R1(R1 + R_{LOW} - R_{MID})}{R_{LOW} - R_{MID}}$$

EA



Positive Coefficient



$$V_{TMO}(T_L) = 0.1V, V_{TMO}(T_U) = 3.9V$$

$$G = \frac{\Delta V_{TMO}}{\Delta V_{PTCIC}} = \frac{V_{TMO}(T_U) - V_{TMO}(T_L)}{V_{PTCIC}(T_U) - V_{PTCIC}(T_L)}$$

$$G = \frac{R3}{R1/R2} + 1$$

$$V_{PTCIC}(T_M) = \frac{V_{PTCIC}(T_U) + V_{PTCIC}(T_L)}{2}$$

$$V_{PTCIC} = V_{PTCIC}(T_M), V_{TMO} = \frac{3.9V + 0.1V}{2} = 2V$$

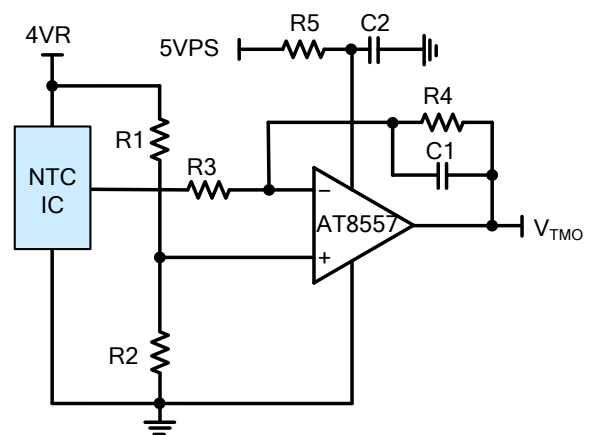
$$\frac{V_{PTCIC}(T_M)}{R2} = \frac{2V - V_{PTCIC}(T_M)}{R3} + \frac{4V - V_{PTCIC}(T_M)}{R1}$$

$$R3 = 20k\Omega$$

$$R2 = \frac{R3}{[4V - V_{PTCIC}(T_M)] \times G - 2}$$

$$R1 = \frac{R3}{G - 1 - \frac{R3}{R2}} = \frac{R2 \times R3}{R2 \times (G - 1) - R3}$$

Negative Coefficient



$$V_{TMO}(T_L) = 0.1V, V_{TMO}(T_U) = 3.9V$$

$$G = \frac{\Delta V_{TMO}}{\Delta V_{NTCIC}} = \frac{V_{TMO}(T_U) - V_{TMO}(T_L)}{V_{NTCIC}(T_U) - V_{NTCIC}(T_L)}$$

$$G = \frac{R4}{R3} \quad R3 = \frac{R4}{G}$$

$$R4 = 20k\Omega \sim 200k\Omega$$

$$V_{NTCIC}(T_M) = \frac{V_{NTCIC}(T_U) + V_{NTCIC}(T_L)}{2}$$

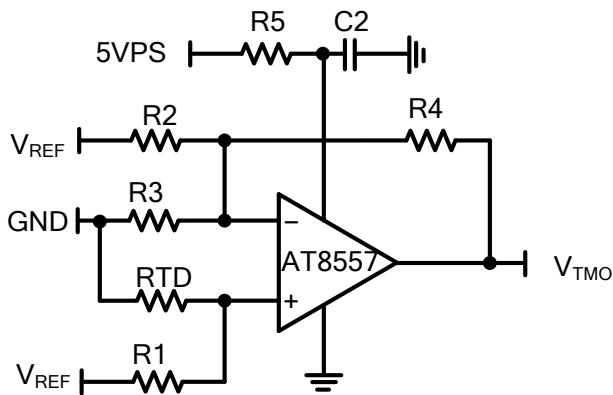
$$\frac{[2V - V_{NTCIC}(T_M)] \times R3}{R3 + R4} + V_{NTCIC}(T_M) = \frac{4V \times R2}{R1 + R2}$$

$$R2 = 10k$$

$$R1 = \frac{40 \times (1 + G)}{2 - V_{NTCIC}(T_M)} - 10$$



RTD



$$R_{TD} = R_0 \times (1 + 0.00385T)$$

e.g. $R_0 = 1k\Omega$

When $T = 10^\circ\text{C}$, $R_{TD}(10) = 1.0385k\Omega$

When $T = 40^\circ\text{C}$, $R_{TD}(40) = 1.154k\Omega$

Choose R_1

A. $P_{RTD} \leq 1mW$, $R_{TD} = 1000\Omega$

$$P_{RTD} = (I_{RTD})^2 \times 1000\Omega = 0.001W$$

$$I_{RTD} = 1mA = \frac{4VR}{R_1 + R_{TD}} = \frac{4}{R_1 + 1k} \Rightarrow R_1 = 3k\Omega$$

B. $P_{RTD} \leq 1mW$, $R_{TD} = 100\Omega$

$$P_{RTD} = (I_{RTD})^2 \times 100\Omega = 0.001W$$

$$I_{RTD} = 3.16mA = \frac{4VR}{R_1 + R_{TD}} = \frac{4}{R_1 + 0.1k}$$

$R_1 = 1.15k\Omega$

$$V_{TMO} = \frac{4 \times R_{TD}}{R_1 + R_{TD}} \times \left[1 + \frac{R_4 \times (R_2 + R_3)}{R_2 \times R_3} \right] - \frac{4 \times R_4}{R_2}$$

I. When $T = 10^\circ\text{C}$, $R_1 = 3k\Omega$, $R_{TD}(T_L) = 1.0385k\Omega$,

$$0.93 = \frac{R_4 \times (2.97R_3 - 1.03R_2)}{R_2 \times R_3}$$

When $T = 40^\circ\text{C}$, $R_1 = 3k\Omega$, $R_{TD}(T_U) = 1.154k\Omega$,

$$2.79 = \frac{R_4 \times (1.11R_2 - 2.89R_3)}{R_2 \times R_3}$$

II. When $T = 10^\circ\text{C}$, $R_1 = 1.15k\Omega$, $R_{TD}(T_L) = 1.0385k\Omega$,

$$1.8 = \frac{R_4 \times (2.1R_3 - 1.9R_2)}{R_2 \times R_3}$$

When $T = 40^\circ\text{C}$, $R_1 = 1.15k\Omega$, $R_{TD}(T_U) = 1.154k\Omega$,

$$1.9 = \frac{2 \times R_4 \times (R_2 - R_3)}{R_2 \times R_3}$$

To achieve the required V_{TMO} outputs at the three different setting point temperatures in the Temperature Network, use the equation:

When $T = \text{LOW}$, $RTD = RTD_L$, $TMO = 0.1V$, $V_1 = V_{1L}$

When $T = \text{HIGH}$, $RTD = RTD_H$, $TMO = 4.0V$, $V_1 = V_{1H}$

$$\Delta TMO = 4V - 0.1V = 3.9V$$

$$\Delta V_1 = V_{1H} - V_{1L}$$

$$G = \frac{\Delta TMO}{\Delta V_1} = 1 + \frac{R_4 \times (R_2 + R_3)}{R_2 \times R_3}$$

$$RTD = R_0 \times (1 + 0.00385T)$$

e.g. $R_0 = 1k\Omega$

$$V_1 = 4.096V \times \frac{RTD}{R_1 + RTD}$$

$V_{1L} = 0.5V$

$$R_1 = RTD_L \times \frac{4.096V}{V_{1L}} - RTD_L$$

$R_2 = R_1$, $R_3 = RTD_L$

$$R_4 = (G - 1) \times \frac{R_2 \times R_3}{R_2 + R_3}$$

For example, setting the high set-point temperature at 60°C and the low set-point temperature at 0°C . Use $RTD = R_0 \times (1 + 0.00385T)$, (e.g. $R_0 = 1k\Omega$).

$RTD_L = RTD(10^\circ\text{C}) = 1.0k\Omega$

$RTD_H = RTD(60^\circ\text{C}) = 1.231k\Omega$

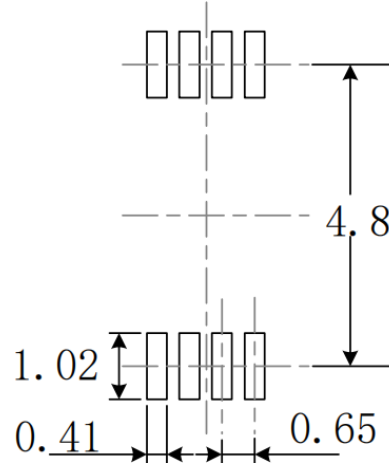
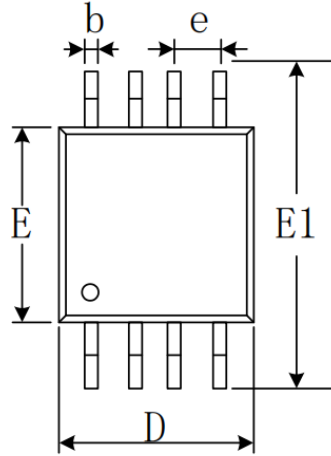
$R_1 = 7.192k\Omega$ $R_2 = R_1 = 7.192k\Omega$

$R_3 = RTD_L = 1.0k\Omega$, $R_4 = 32.308k\Omega$

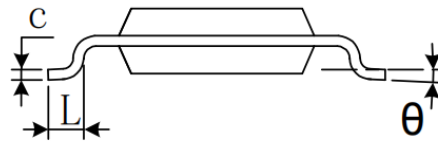
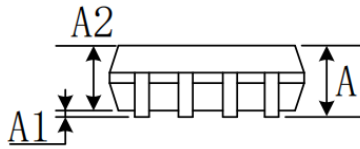


OUTLINE DIMENSIONS

MSOP-8



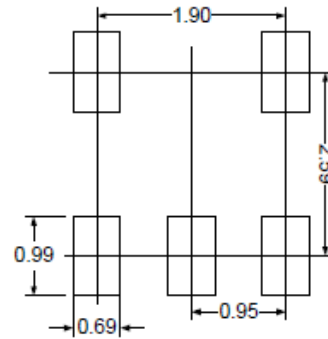
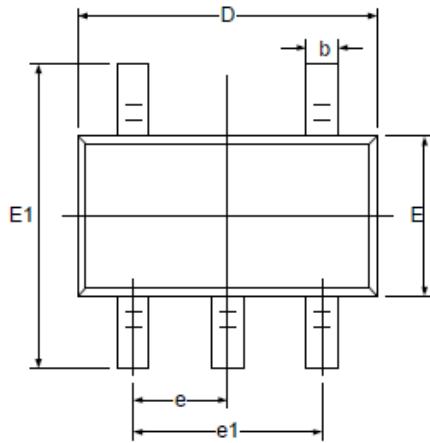
RECOMMENDED LAND PATTERN (Unit: mm)



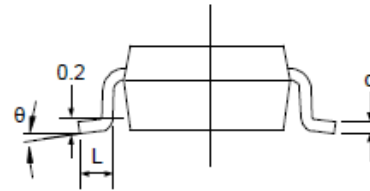
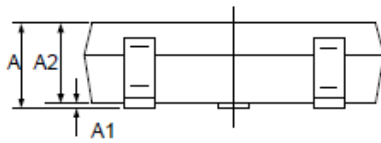
Symbol	Dimensions In Millimeters		Dimensions In Inches	
	Min.	Max.	Min.	Max.
A	0.820	1.100	0.032	0.043
A1	0.020	0.150	0.001	0.006
A2	0.750	0.950	0.030	0.037
b	0.250	0.380	0.010	0.015
c	0.090	0.230	0.004	0.009
D	2.900	3.100	0.114	0.122
e	0.650(BSC)		0.026(BSC)	
E	2.900	3.100	0.114	0.122
E1	4.750	5.050	0.187	0.199
L	0.400	0.800	0.016	0.031
θ	0°	6°	0°	6°



SOT23-5



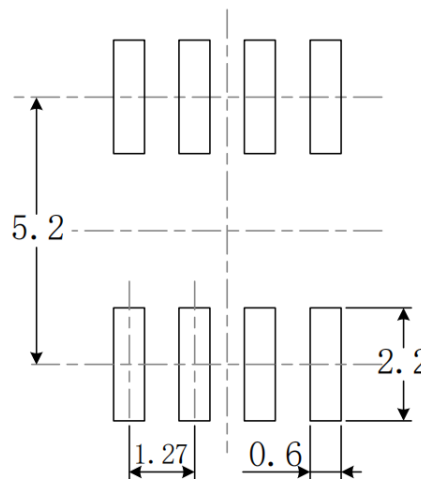
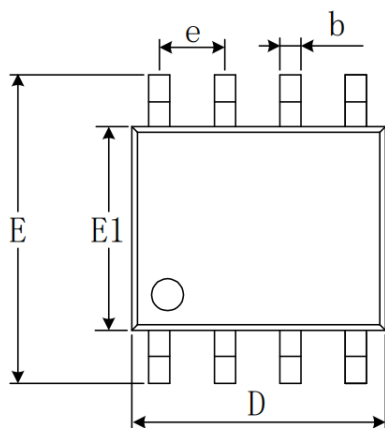
RECOMMENDED LAND PATTERN (Unit: mm)



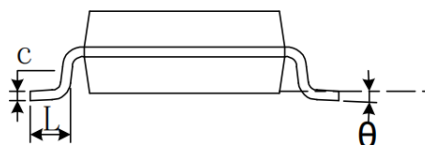
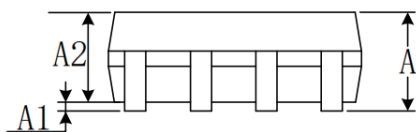
Symbol	Dimensions In Millimeters		Dimensions In Inches	
	Min.	Max.	Min.	Max.
A	1.050	1.250	0.041	0.049
A1	0.000	0.100	0.000	0.004
A2	1.050	1.150	0.041	0.045
b	0.300	0.500	0.012	0.020
c	0.100	0.200	0.004	0.008
D	2.820	3.020	0.111	0.119
E	1.500	1.700	0.059	0.067
E1	2.650	2.950	0.104	0.116
e	0.950(BSC)		0.037(BSC)	
e1	1.800	2.000	0.071	0.079
L	0.300	0.600	0.012	0.024
θ	0°	8°	0°	8°



SOIC-8



RECOMMENDED LAND PATTERN (Unit: mm)



Symbol	Dimensions In Millimeters		Dimensions In Inches	
	Min.	Max.	Min.	Max.
A	1.350	1.750	0.063	0.069
A1	0.100	0.250	0.004	0.010
A2	1.350	1.550	0.053	0.061
b	0.330	0.510	0.013	0.020
c	0.170	0.250	0.007	0.010
D	4.800	5.000	0.189	0.197
e	1.270(BSC)		0.050(BSC)	
E	5.800	6.200	0.228	0.244
E1	3.800	4.000	0.150	0.157
L	0.400	1.270	0.016	0.050
θ	0°	8°	0°	8°



PACKAGING INFORMATION

Orderable Device	Op Temp (°C)	Package Type	Package Drawing	Package Qty
AT8557/TR	-40 ~ 125	SOT23-5	8557	Reel,3000
AT8557/SR	-40 ~ 125	SOIC-8	8557	Reel,2500
AT8557/MR	-40 ~ 125	MSOP-8	8557	Reel,3000

ORDERING INFORMATION

Part Number	Buy Now
AT8557	

NOTICE

- ATI warrants performance of its products for one year to the specifications applicable at the time of sale, except for those being damaged by excessive abuse. Products found not meeting the specifications within one year from the date of sale can be exchanged free of charge.
- ATI reserves the right to make changes to its products or to discontinue any product or service without notice, and advise customers to obtain the latest version of relevant information to verify, before placing orders, that the information being relied on is current and complete.
- All products are sold subject to the terms and conditions of sale supplied at the time of order acknowledgment, including those pertaining to warranty, patent infringement, and limitation of liability. Testing and other quality control techniques are utilized to the extent ATI deems necessary to support this warranty. Specific testing of all parameters of each device is not necessarily performed, except those mandated by government requirements.
- Customers are responsible for their applications using ATI products. In order to minimize risks associated with the customers' applications, adequate design and operating safeguards must be provided by the customers to minimize inherent or procedural hazards. ATI assumes no liability for applications assistance or customer product design.
- ATI does not warrant or represent that any license, either express or implied, is granted under any patent right, copyright, mask work right, or other intellectual property right of ATI covering or relating to any combination, machine, or process in which such products or services might be or are used. ATI's publication of information regarding any third party's products or services does not constitute ATI's approval, warranty or endorsement thereof.
- IP (Intellectual Property) Ownership: ATI retains the ownership of full rights for special technologies and/or techniques embedded in its products, the designs for mechanics, optics, plus all modifications, improvements, and inventions made by ATI for its products and/or projects.