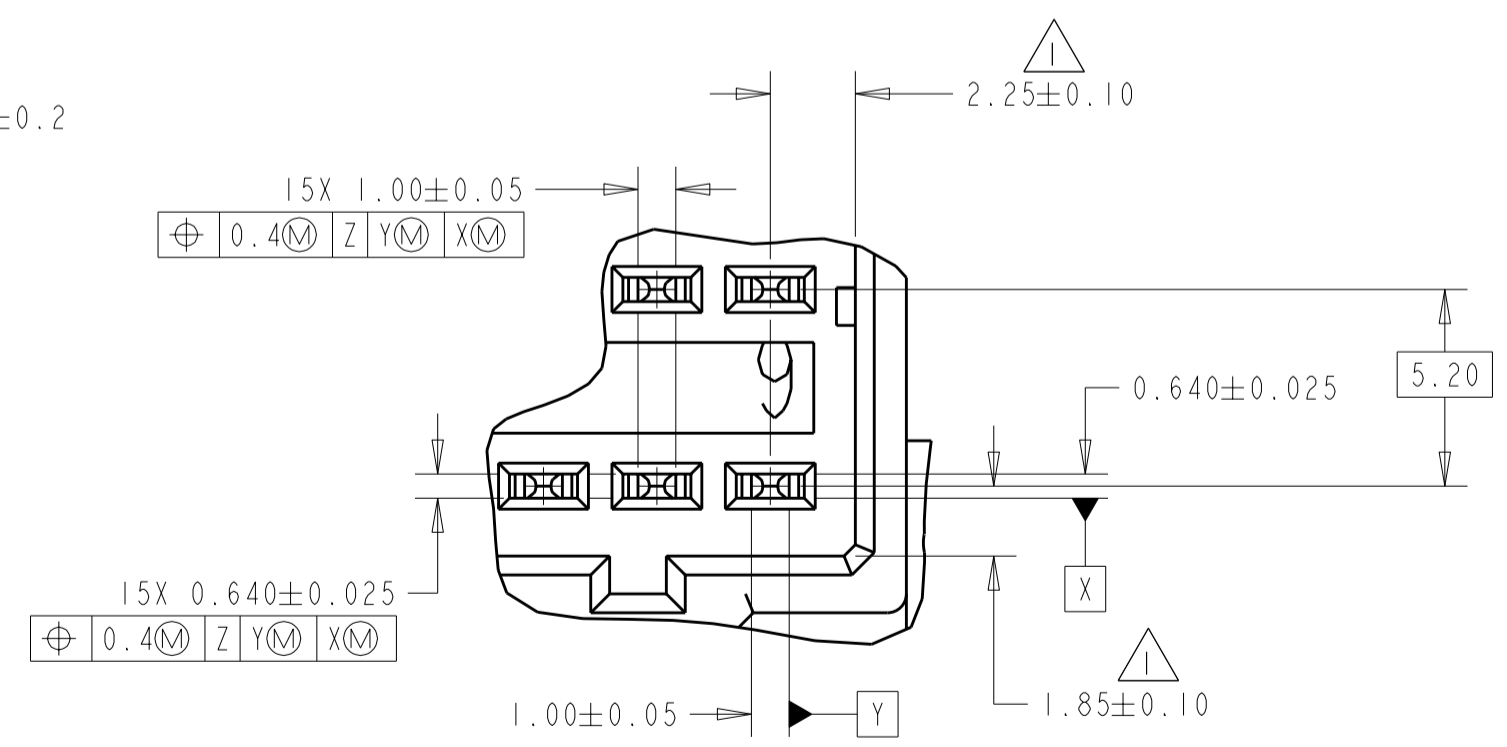
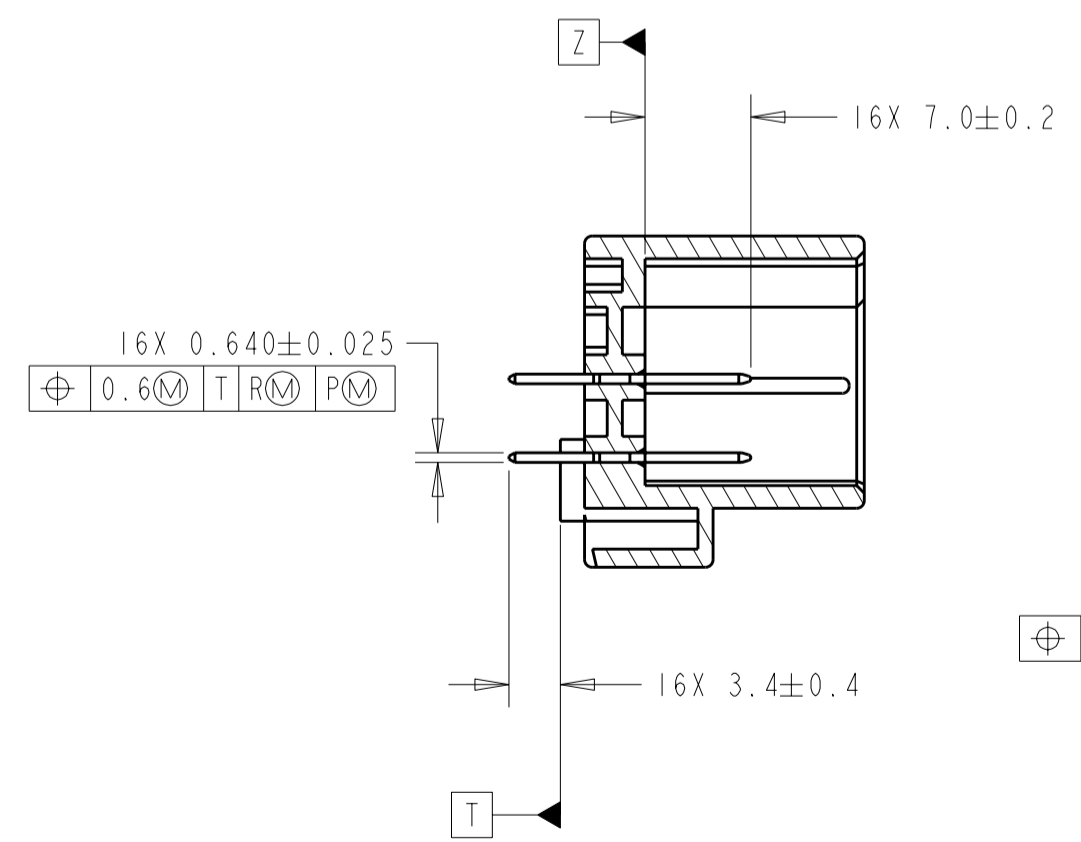
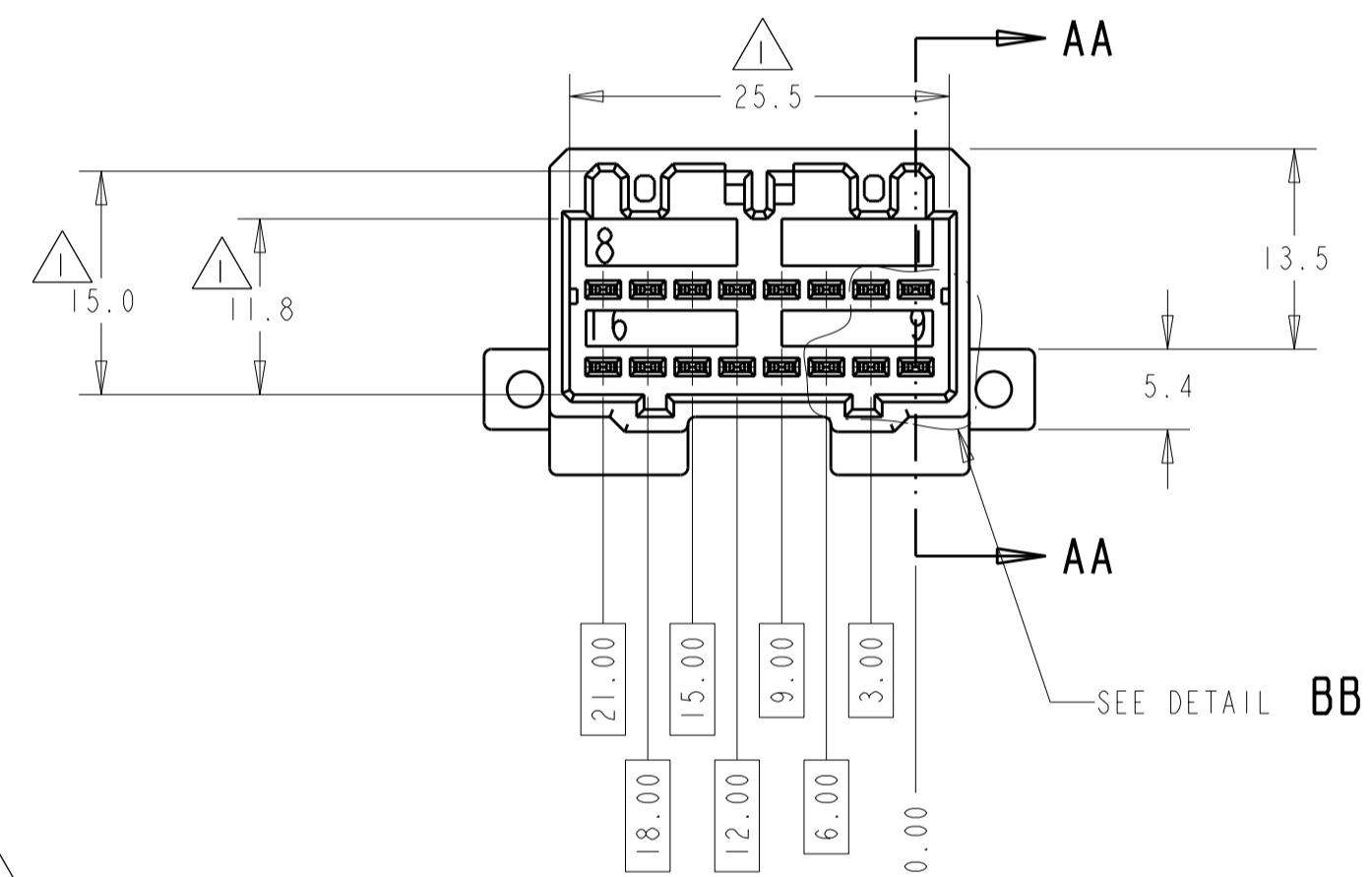
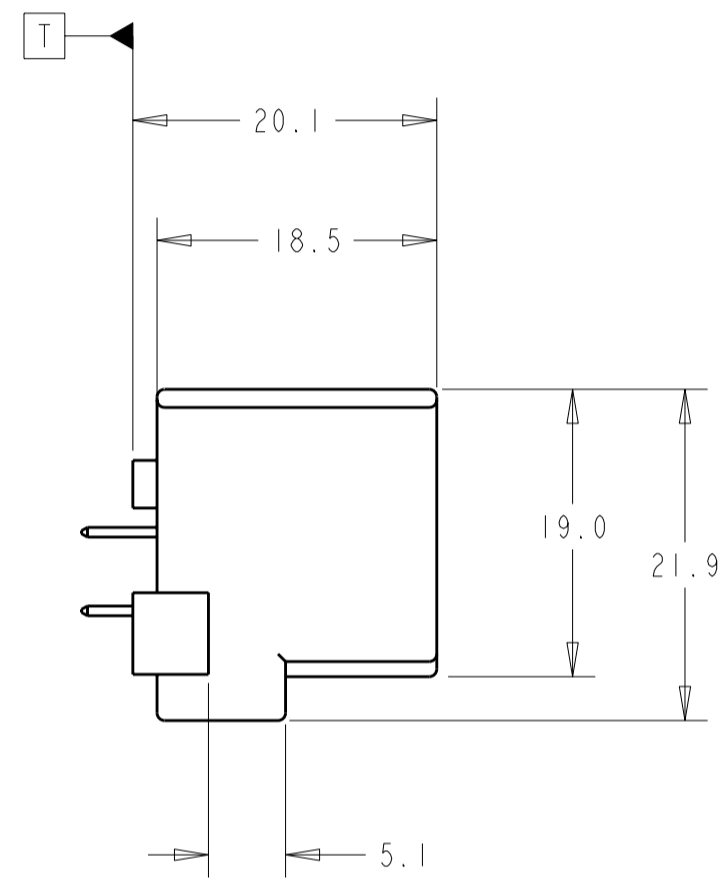
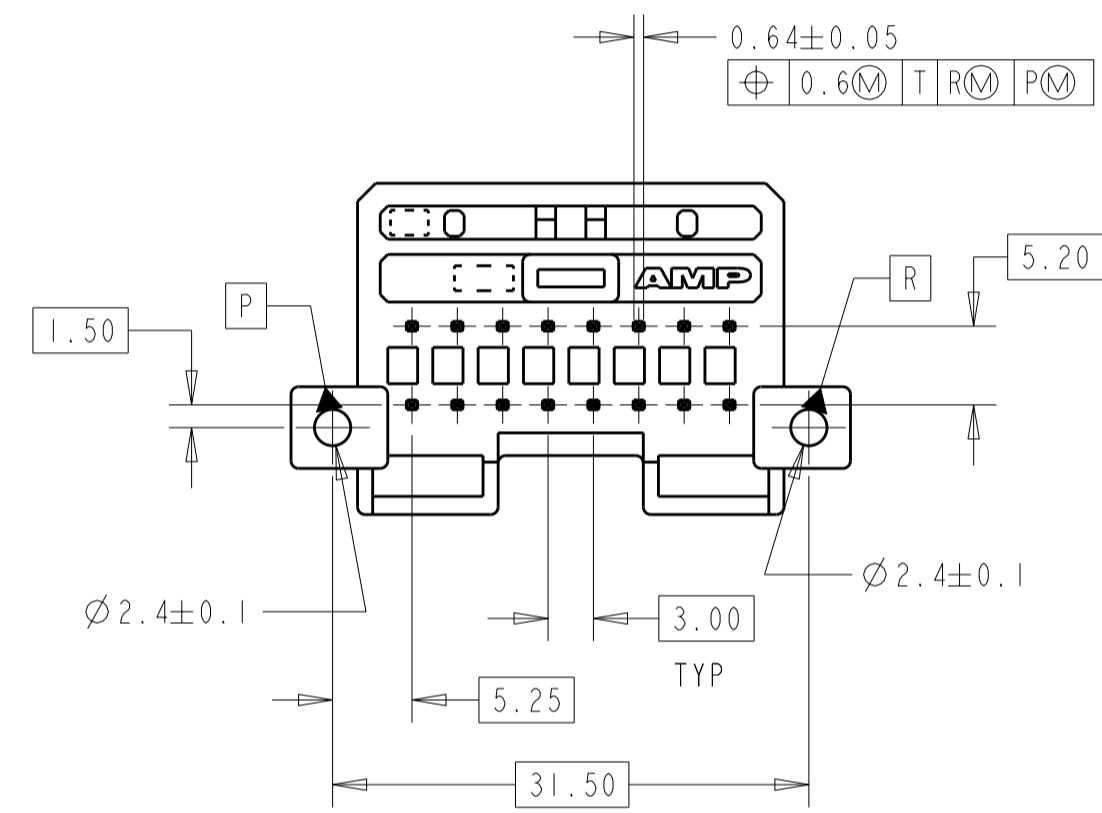
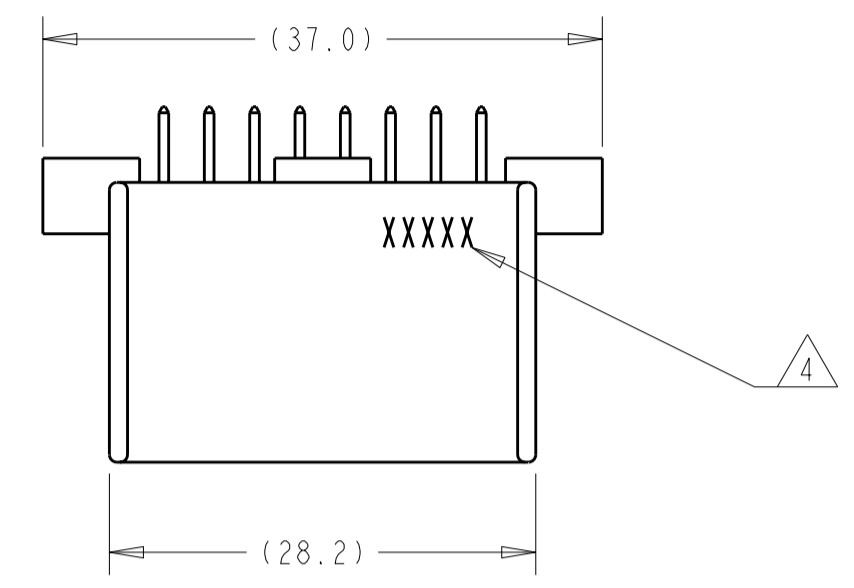
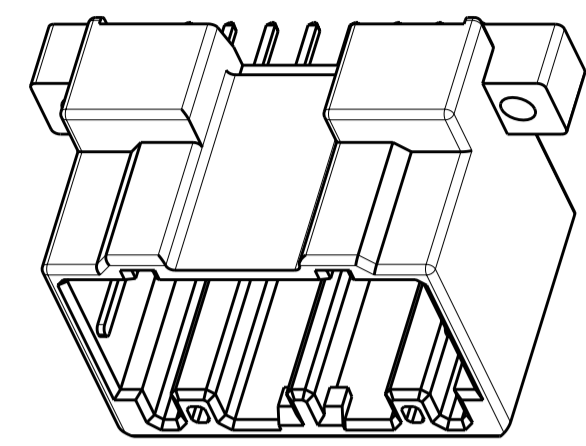


THIS DRAWING IS UNPUBLISHED. RELEASED FOR PUBLICATION 20
 © COPYRIGHT 20 BY TYCO ELECTRONICS CORPORATION. ALL RIGHTS RESERVED.

LOC	DIST	REVISIONS			
P	LTR	DESCRIPTION	DATE	DWN	APVD
FX	00	A	RELEASED PER ECO-08-005268	04MAR2008	AH MS

- 1 DIMENSION MUST BE HELD BETWEEN [Z] AND 2mm FROM [Z]
- 2 DATUMS AND BASIC DIMENSIONS ESTABLISHED BY CUSTOMER
- 3 THE MATING PLUG PART NUMBER IS 917981
- 4 DATE CODE
- 5. RECOMMENDED MOUNTING SCREW, 3mm DIA X 6mm LG, PAN HEAD, CLASS 2 TAPPING SCREW AS SPECIFIED IN JIS B1115 AND B1112. TIGHTENING TORQUE 4kg-cm MAX.

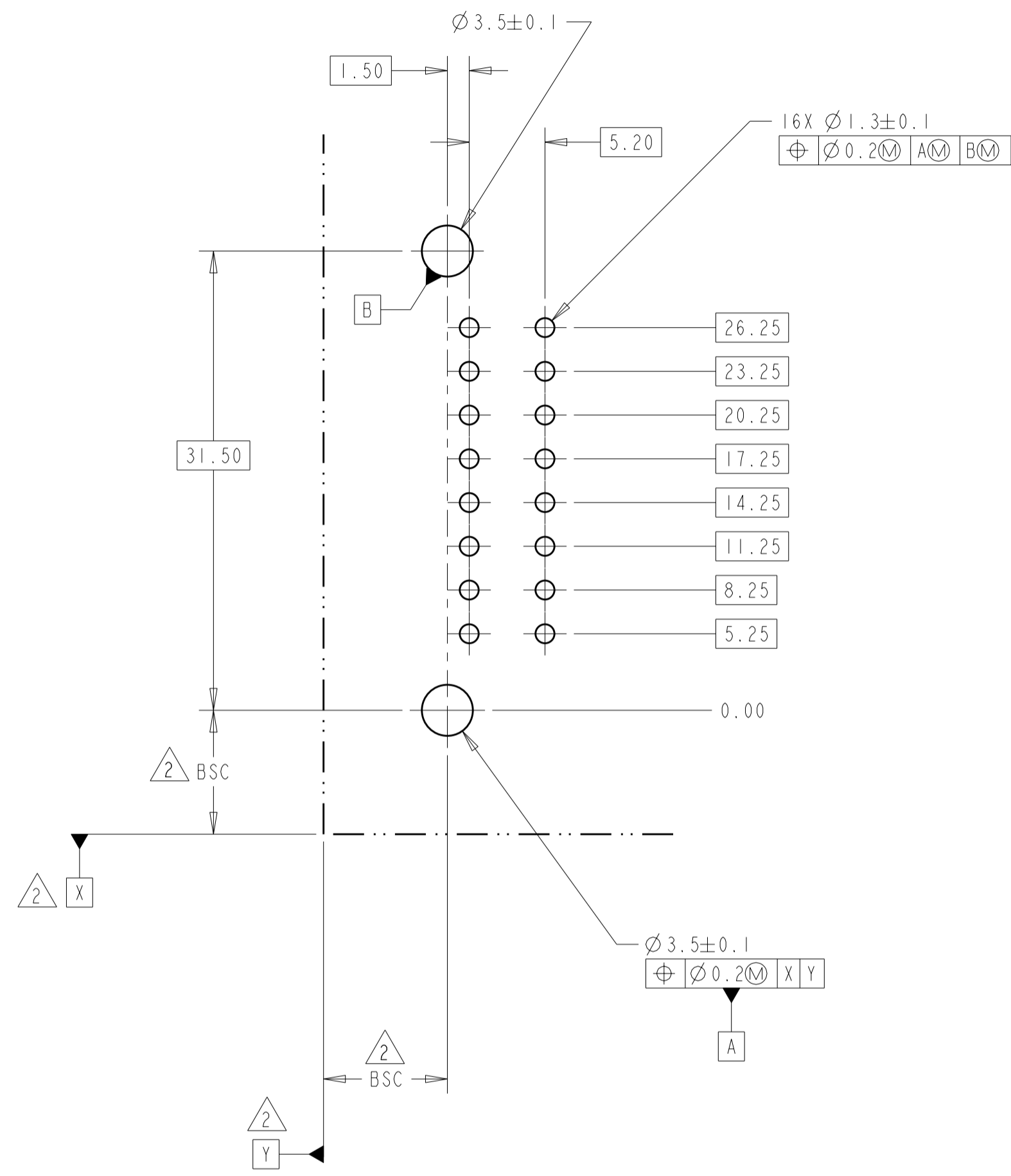


BRASS	TIN	PBT	BLACK	9-1456610-2
MATERIAL	FINISH	MATERIAL	COLOR	PART NO
CONTACT			HOUSING	

THIS DRAWING IS A CONTROLLED DOCUMENT FOR TYCO ELECTRONICS CORPORATION. IT IS SUBJECT TO CHANGE AND THE CONTROLLING ENGINEERING ORGANIZATION SHOULD BE CONTACTED FOR THE LATEST REVISION.		DWN	R. VESTAL	08FEB2008	Tyco Electronics Harrisburg, PA 17105-3608	
DIMENSIONS: mm		CHK	M. SCHANEWOLF	08FEB2008		
TOLERANCES UNLESS OTHERWISE SPECIFIED:		APVD	M. SCHANEWOLF	08FEB2008		
0 PLC ± 1 PLC ±0.3 2 PLC ±0.15 3 PLC ± 4 PLC ± ANGLES ±° FINISH		PRODUCT SPEC	108-5342			
MATERIAL	SEE TABLE	APPLICATION SPEC	-		NAME	16 POSITION, 040, VERTICAL, HYBRID, CAP ASSEMBLY, W/SCREW HOLES
WEIGHT		7.0g	SIZE	A2	CAGE CODE	00779
CUSTOMER DRAWING		SCALE	2:1	DRAWING NO	C-1456610	
SHEET		1	OF	2	REV	A

THIS DRAWING IS UNPUBLISHED. RELEASED FOR PUBLICATION 20
 © COPYRIGHT 20 BY TYCO ELECTRONICS CORPORATION. ALL RIGHTS RESERVED.

LOC	DIST	REVISIONS			
P	LTR	DESCRIPTION	DATE	DWN	APVD
		SEE SHEET 1			



P.C. BOARD LAYOUT

<small>THIS DRAWING IS A CONTROLLED DOCUMENT FOR TYCO ELECTRONICS CORPORATION. IT IS SUBJECT TO CHANGE AND THE CONTROLLING ENGINEERING ORGANIZATION SHOULD BE CONTACTED FOR THE LATEST REVISION.</small>		DWN R. VESTAL 08FEB2008 CHK M. SCHANEWOLF 08FEB2008 APVD M. SCHANEWOLF 08FEB2008	Tyco Electronics Harrisburg, PA 17105-3608
DIMENSIONS: mm 	TOLERANCES UNLESS OTHERWISE SPECIFIED: 0 PLC ± 1 PLC ±0.3 2 PLC ±0.15 3 PLC ± 4 PLC ± ANGLES ±° FINISH	PRODUCT SPEC 108-5342 APPLICATION SPEC - WEIGHT 7.0g	NAME 16 POSITION, 040, VERTICAL, HYBRID, CAP ASSEMBLY, W/SCREW HOLES SIZE A2 CAGE CODE 00779 DRAWING NO. C-1456610 RESTRICTED TO -
MATERIAL SEE TABLE	SEE TABLE	CUSTOMER DRAWING	SCALE 2:1 SHEET 2 OF 2 REV A