	Date	15-Jue-2022	SPECIFICATION	OLE WOLFF
	Page	1 / 3		www.owolff.com
	CN	P/N: OWPB-1820-40-A		Revision: 05



SPECIFICATION FOR APPROVAL

Piezo Element

Part Number	OWPB-1820-40-A
Note	This item was compliance with the following requirements: 1. RoHS directive 2. REACH
Customer P/N	


Ole Wolff	Signature / Date	Prepared	Checked	Approved
		Baoxin Yao 20220615		

Customer	Signature / Date	Confirmation		

REVISION NOTES:

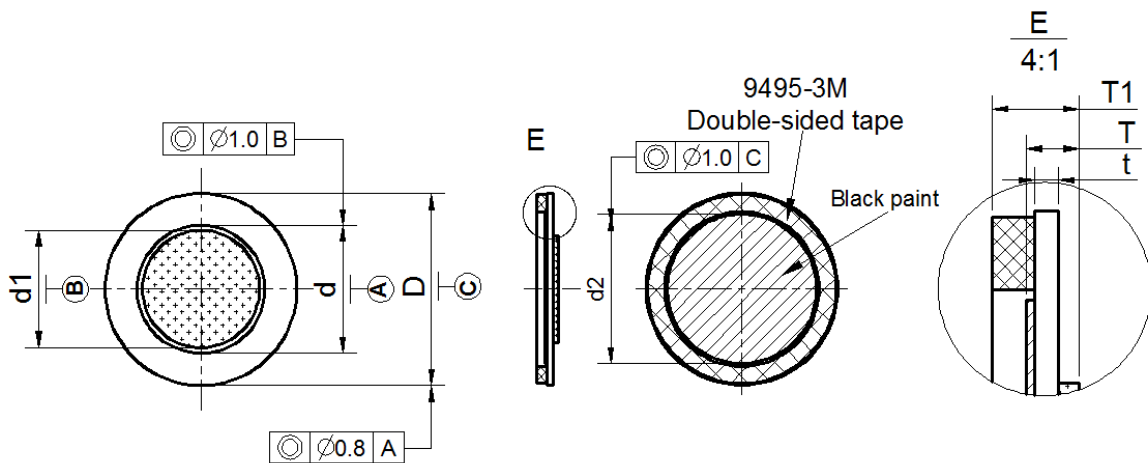
Date	Rev.	Description of Revision
20210205	00	Initial Release
20210302	01	Adhesive size ϕ 17.3* ϕ 14.3 change to ϕ 17.7* ϕ 14.5
20210604	02	1.remove 5a. 2.Additional warning requirements for packaging“ CAUTION Please use it within 24hrs after open the package. If not, please keep in the vacuum package.” See detailed Packaging
20210623	03	Add black paint: ϕ 14 \pm 0.3mm
20210720	04	Add package
20220615	05	Add Piezo layout drawing.

OLE WOLFF ELEKTRONIK A/S Roedengvej 25 4180 Soroe Denmark TEL: +45 57833830 FAX: +45 57820019	OLE WOLFF ELECTRONICS INC. 1525 McCarthy Blvd, Suite 1093 Milpitas, Ca 95035 USA TEL: +1 408 888 8413	OLEWOLFF ELEKTRONIK GmbH Schulstrasse 15A. DE-25451 Quickborn, Germany TEL: +49 (0) 4106 765900 FAX: +49 (0) 4106 627297	OLEWOLFF ELECTRONICS 3 Bedford Street, Woburn, Bedfordshire MK17 9QB, ENGLAND TEL: +44 (0) 1525 290755 FAX: +44 (0) 1525 290855	OLE WOLFF ELEKTRONIK Yliopistonkatu 26 (P.O.BOX 257) FI-40101 Jyväskylä Finland TEL: +358 14 338 3050 FAX: +358 14 338 3059	OLE WOLFF (ASIA) LTD. Unit B, 19/F., Bold Win Ind. Bldg., No. 16-18 Wah Sing St., Kwai Chung, N.T., H.K. TEL: +852 2424 3274 FAX: +852 2424 2219	OLE WOLFF LTD. Unit 7A08, Block 2, Elite Building, Nanshan Avenue, Nanshan District, Shenzhen, PRC. TEL: +86 755 82612542 TEL: +86 755 26406156
---	---	--	--	--	--	---


	Date	15-Jue-2022	SPECIFICATION	OLE WOLFF
	Page	2 / 3		www.owolff.com
	CN	P/N: OWPB-1820-40-A		Revision: 05

1	Input Voltage (Vp-p)	30 max
2	Resonant Frequency (KHz)	4.0±0.5
3	Resonant Impedance (Ω)	400 max
4	Capacitance 120Hz (PF)	18000±30%
5	Operating Temperature (°C)	-20 ~ +60
6	Storage Temperature (°C)	-20 ~ +70
7	Ceramic plate diameter(d) (mm)	Φ12±0.4
8	Silver plate diameter(d1) (mm)	Φ11±0.4
9	The black paint diameter(d2) (mm)	Φ14±0.3
10	Metal plate diameter(D) (mm)	Φ18±0.1
11	Double-sided tape outside diameter (mm)	Φ17.7±0.2
12	Double-sided tape inside diameter (mm)	Φ14.5±0.2
13	Metal plate Thickness(t) (mm)	0.10±0.02
14	Thicknees (T) (mm)	0.235±0.05
15	Total Thickness(T1) (mm)	0.38±0.1
16	Metal Material	Brass (H65)
17	Double-sided tape Thickness	0.17±0.1

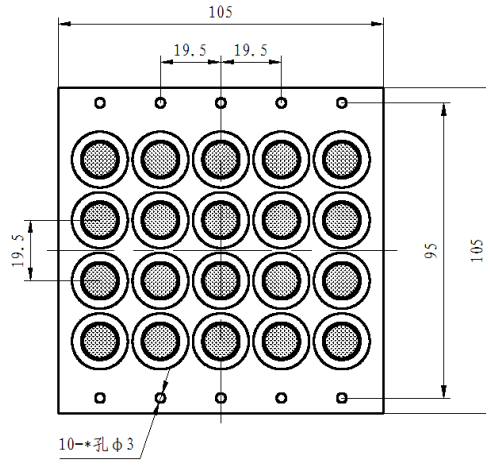
Dimensions Unit:mm Tolerance: ±0.5mm Except Specified



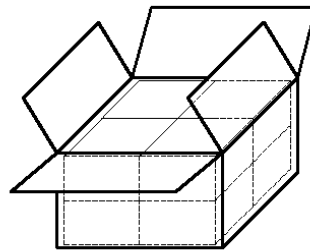
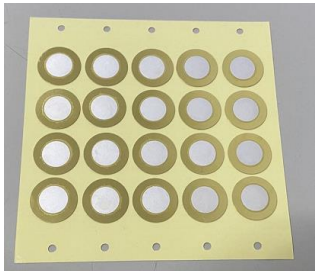
OLE WOLFF ELEKTRONIK A/S Roedengvej 25 4180 Soroe Denmark TEL: +45 57833830 FAX: +45 57820019	OLE WOLFF ELECTRONICS INC. 1525 McCarthy Blvd, Suite 1093 Milpitas, Ca 95035 USA TEL: +1 408 888 8413	OLEWOLFF ELEKTRONIK GmbH Schulstrasse 15A. DE-25451 Quickborn, Germany TEL: +49 (0) 4106 765900 FAX: +49 (0) 4106 627297	OLEWOLFF ELECTRONICS 3 Bedford Street, Woburn, Bedfordshire MK17 9QB, ENGLAND TEL: +44 (0) 1525 290755 FAX: +44 (0) 1525 290855	OLE WOLFF ELEKTRONIK Yliopistonkatu 26 (P.O.BOX 257) FI-40101 Jyväskylä Finland TEL: +358 14 338 3050 FAX: +358 14 338 3059	OLE WOLFF (ASIA) LTD. Unit B, 19/F., Bold Win Ind. Bldg., No. 16-18 Wah Sing St., Kwai Chung, N.T., H.K. TEL: +852 2424 3274 FAX: +852 2424 2219	OLE WOLFF LTD. Unit 7A08, Block 2, Elite Building, Nanshan Avenue, Nanshan District, Shenzhen, PRC. TEL: +86 755 82612542 TEL: +86 755 26406156
---	---	--	--	--	--	---

	Date	15-Jue-2022	SPECIFICATION	OLE WOLFF
	Page	3 / 3		www.owolff.com
	CN	P/N: OWPB-1820-40-A		Revision: 05

Dimensions



Packing:



1. 2000 PCS per box
2. Total 8 boxes per carton
3. Total 16000 PCS carton
4. Volume: 24*24*14.5cm

OLE WOLFF ELEKTRONIK A/S Roedengvej 25 4180 Soroe Denmark TEL: +45 57833830 FAX: +45 57820019	OLE WOLFF ELECTRONICS INC. 1525 McCarthy Blvd, Suite 1093 Milpitas, Ca 95035 USA TEL: +1 408 888 8413	OLEWOLFF ELEKTRONIK GmbH Schulstrasse 15A. DE-25451 Quickborn, Germany TEL: +49 (0) 4106 765900 FAX: +49 (0) 4106 627297	OLEWOLFF ELECTRONICS 3 Bedford Street, Woburn, Bedfordshire MK17 9QB, ENGLAND TEL: +44 (0) 1525 290755 FAX: +44 (0) 1525 290855	OLE WOLFF ELEKTRONIK Yliopistonkatu 26 (P.O.BOX 257) FI-40101 Jyväskylä Finland TEL: +358 14 338 3050 FAX: +358 14 338 3059	OLE WOLFF (ASIA) LTD. Unit B, 19/F., Bold Win Ind. Bldg., No. 16-18 Wah Sing St., Kwai Chung, N.T., H.K. TEL: +852 2424 3274 FAX: +852 2424 2219	OLE WOLFF LTD. Unit 7A08, Block 2, Elite Building, Nanshan Avenue, Nanshan District, Shenzhen, PRC. TEL: +86 755 82612542 TEL: +86 755 26406156
---	---	--	--	--	--	---