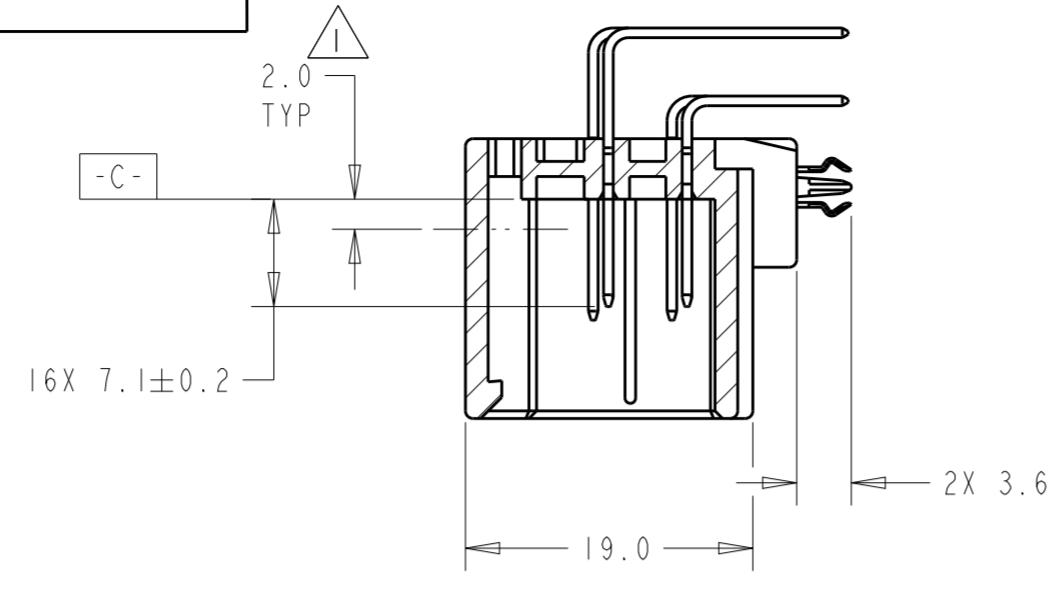
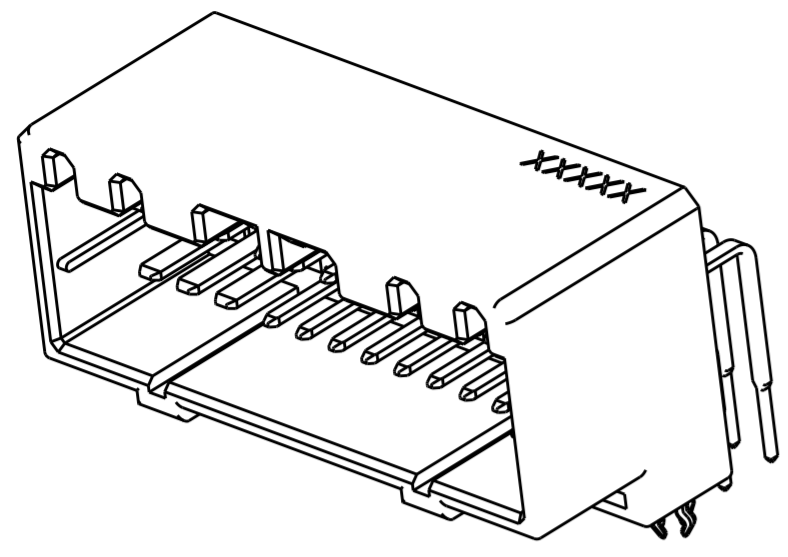


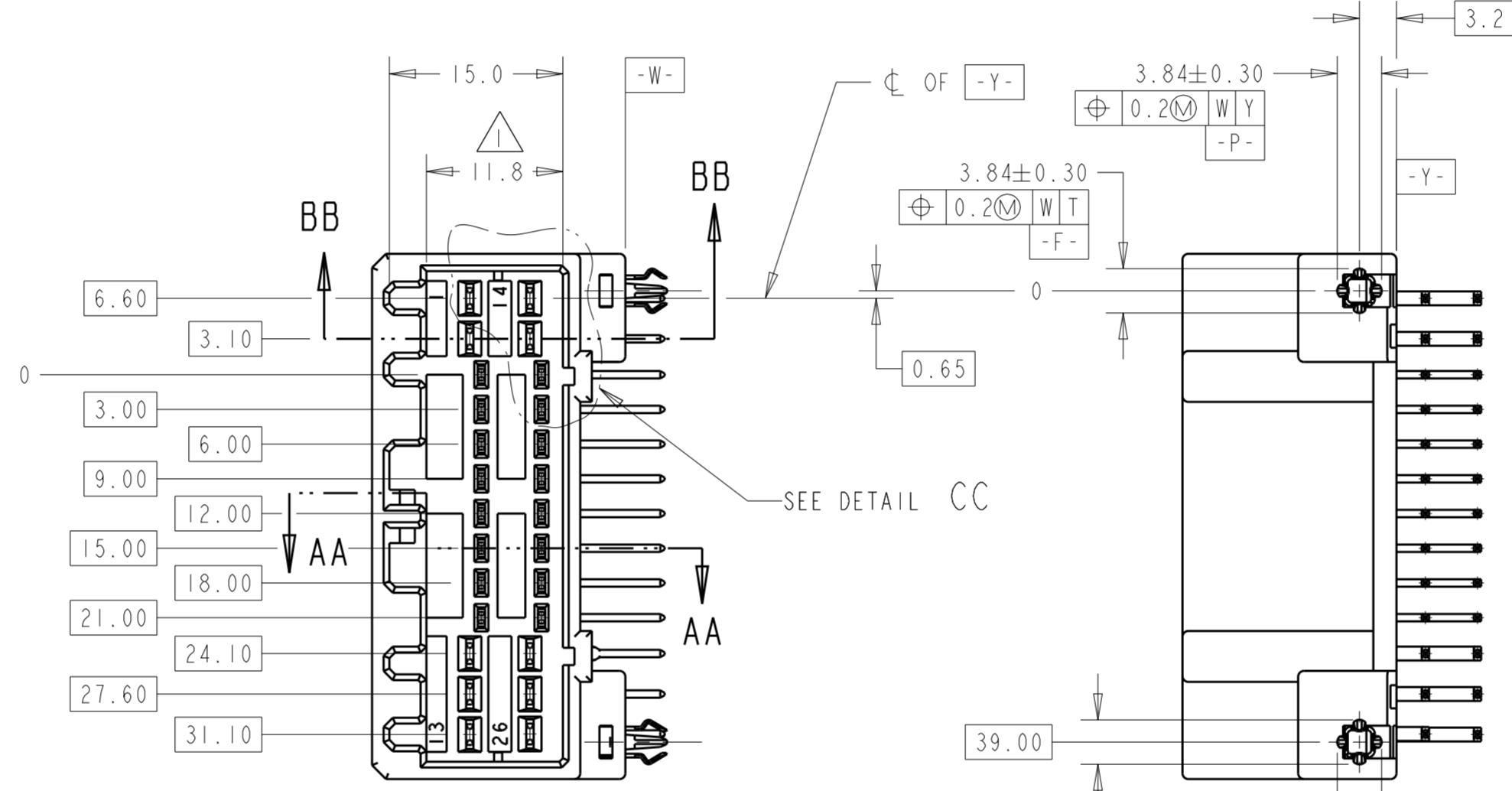
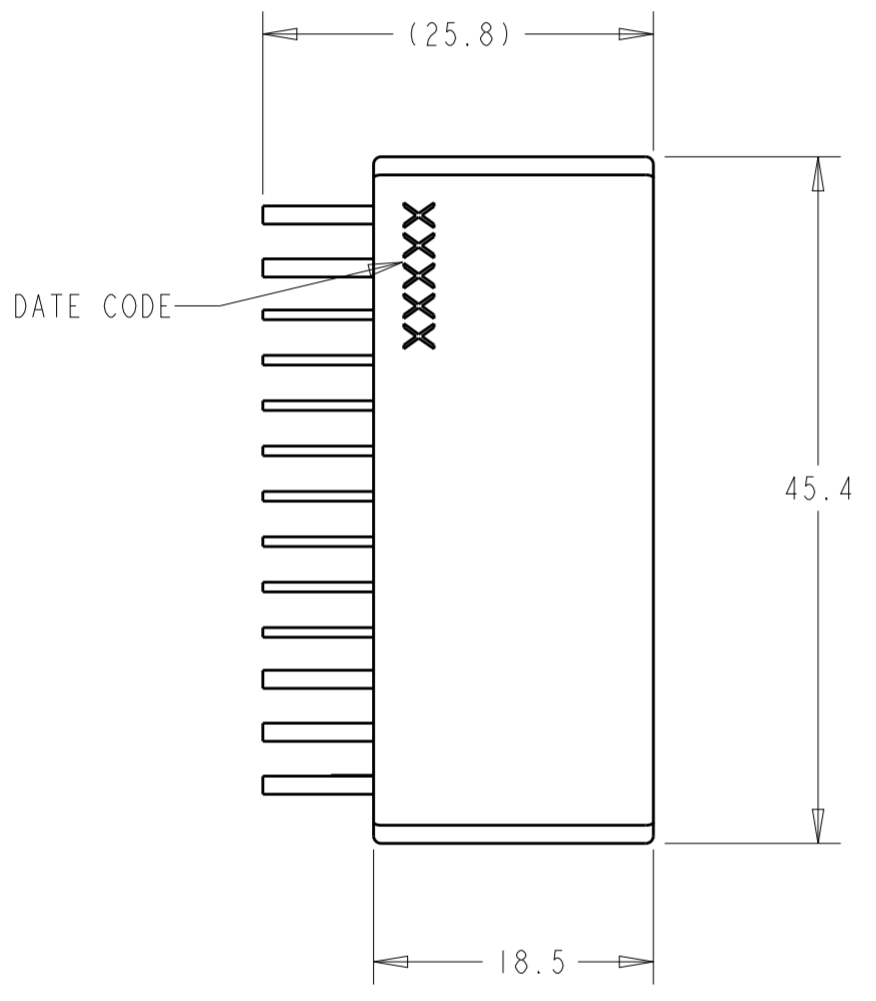
THIS DRAWING IS UNPUBLISHED. RELEASED FOR PUBLICATION 20
 © COPYRIGHT 20 BY - ALL RIGHTS RESERVED.

LOC	DIST	REVISIONS					
FX	00	P	LTR	DESCRIPTION	DATE	DWN	APVD
		A		RELEASED PER ECR-07-029334	10DEC2007	RGV	MAS
		A1		REVISED PER ECO-12-017789	10OCT2012	DLD	SSA

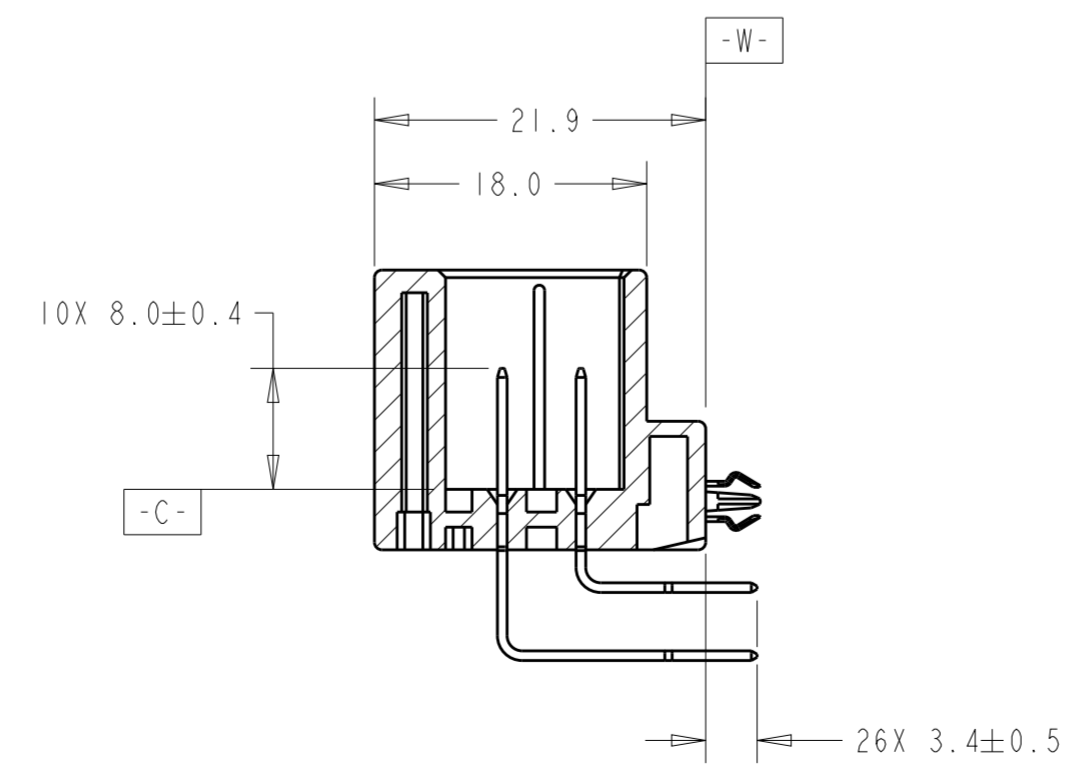


SECTION AA-AA
(.040 TABS)

1 DIMENSION MUST BE HELD BETWEEN -C- AND 2mm FROM -C-
 2 DATUMS AND BASIC DIMENSIONS ESTABLISHED BY CUSTOMER.
 3. THE MATING PLUG PART NUMBER IS 917992.



SEE DETAIL CC

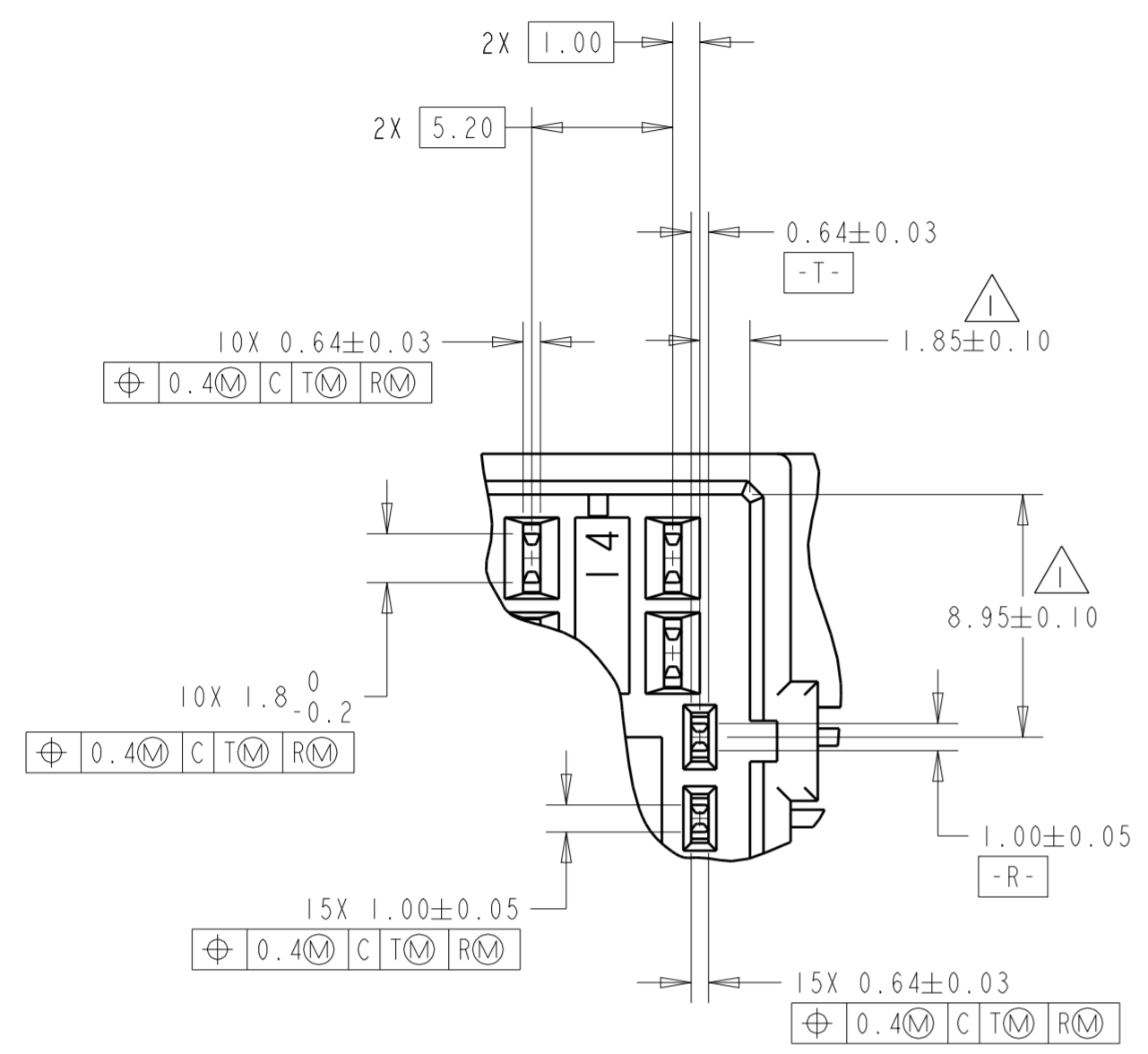


SECTION BB-BB
(.070 TABS)

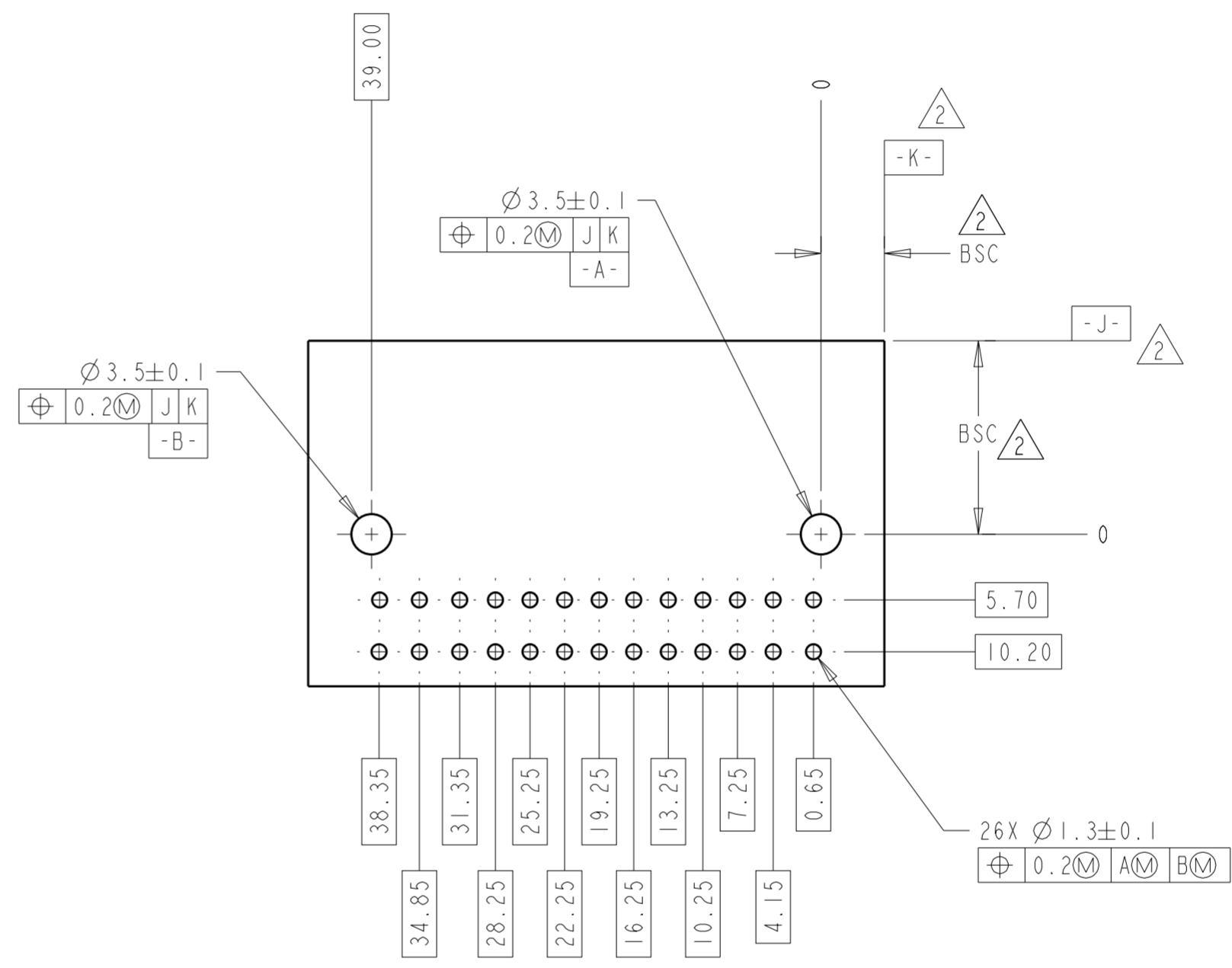
TIN CONTACT FINISH	BRASS CONTACT MATERIAL	GRAY COLOR	PCT HOUSING MATERIAL	9-1924255-6 PART NUMBER
THIS DRAWING IS A CONTROLLED DOCUMENT.		DWN A HOLT 15 JAN 2007	TE Connectivity NAME CAP ASSEMBLY, 26 POSITION 040/070 HYBRID, HORIZONTAL, MULTILOCK, WITH BOARDLOCKS	
DIMENSIONS: mm	TOLERANCES UNLESS OTHERWISE SPECIFIED:	CHK T NAKAYAMA 15 JAN 2007		
		APVD T NAKAYAMA 15 JAN 2007		
MATERIAL SEE TABLE	SEE TABLE	PRODUCT SPEC -	APPLICATION SPEC -	WEIGHT -
		SIZE A2	CAGE CODE 00779	DRAWING NO. 1924255
		CUSTOMER DRAWING		SCALE 2:1 SHEET 1 OF 2 REV A1

THIS DRAWING IS UNPUBLISHED. RELEASED FOR PUBLICATION 20
 © COPYRIGHT 20 BY - ALL RIGHTS RESERVED.

LOC	DIST	REVISIONS				
P	LTR	DESCRIPTION	DATE	DWN	APVD	
FX	00	SEE SHEET 1	-	-	-	



DETAIL CC
 SCALE 4:1



PC BOARD LAYOUT (SOLDER SIDE)
 (RECOMMENDED BOARD THICKNESS 1.57mm)

THIS DRAWING IS A CONTROLLED DOCUMENT.		DWN A HOLT 15 JAN 2007	TE Connectivity	
DIMENSIONS: mm		CHK T NAKAYAMA 15 JAN 2007		
TOLERANCES UNLESS OTHERWISE SPECIFIED:		APVD T NAKAYAMA 15 JAN 2007	NAME CAP ASSEMBLY, 26 POSITION 040/070 HYBRID, HORIZONTAL, MULTILOCK, WITH BOARDLOCKS	
0 PLC ± 1 PLC ±0.3 2 PLC ±0.15 3 PLC ± 4 PLC ± ANGLES ±1° FINISH		PRODUCT SPEC -	SIZE A2	CAGE CODE 00779
MATERIAL SEE TABLE		APPLICATION SPEC -	DRAWING NO C-1924255	RESTRICTED TO -
SEE TABLE		WEIGHT -	SCALE 2:1 SHEET 2 OF 2 REV A1	
		CUSTOMER DRAWING		