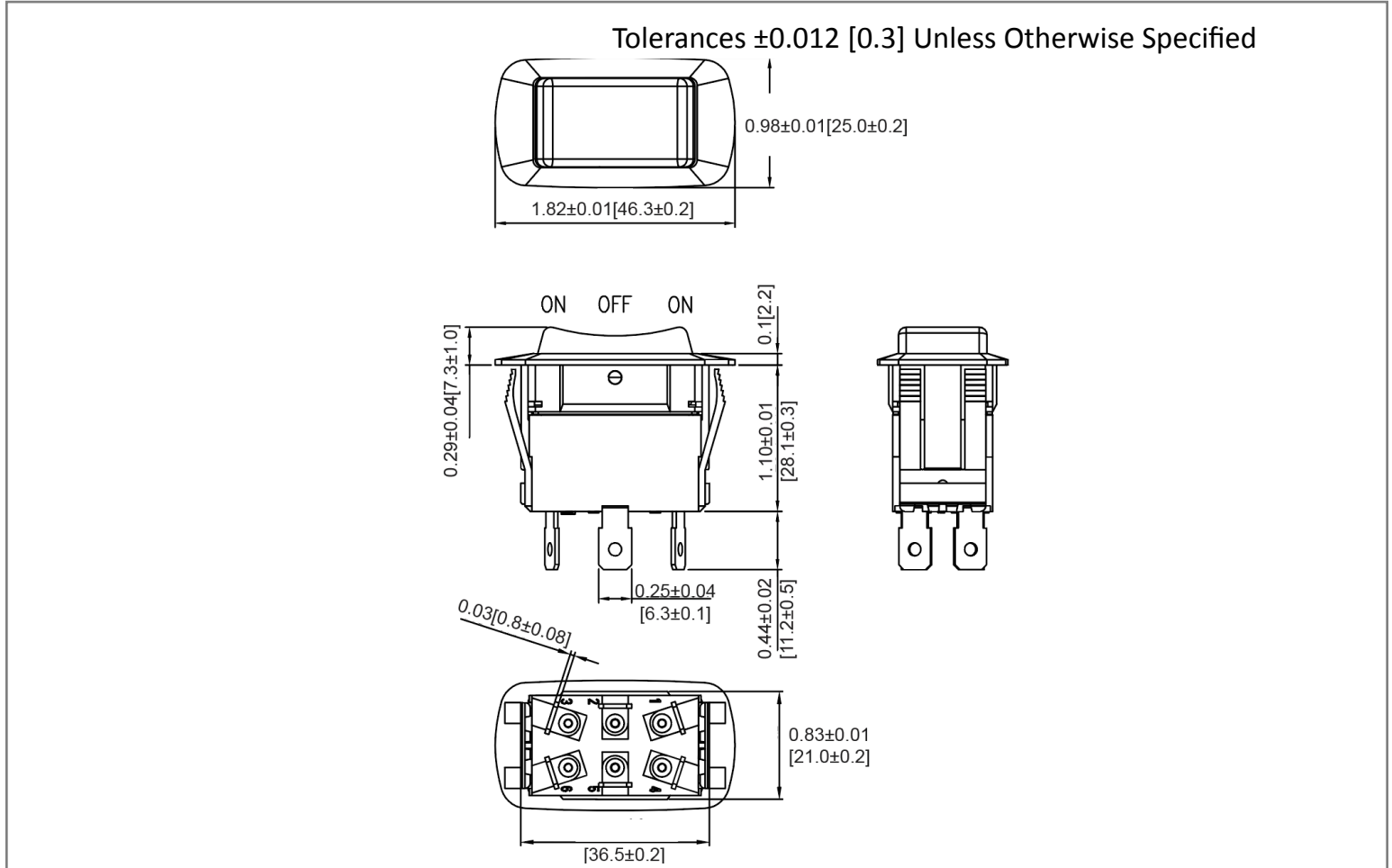
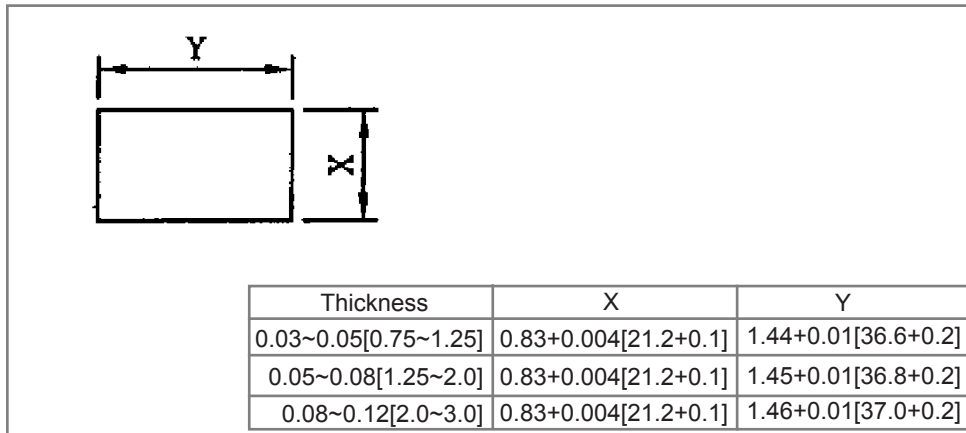


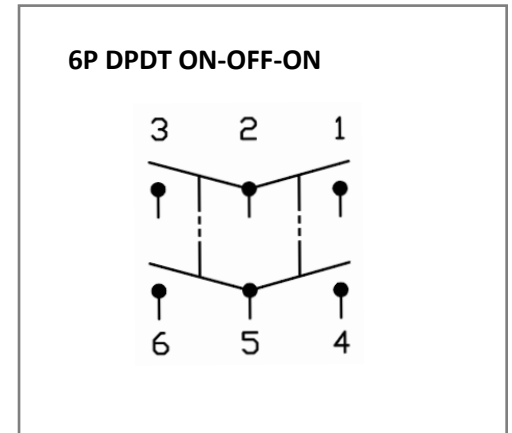
Mechanical Dimensions: Inches [mm]



Mounting Hole



Circuit Diagram



Electrical Specifications

DC Rating	21A 14V DC, 10A 28V DC
AC Rating	16A 125V AC, 10A 277V AC, 3/4HP 125-277V AC, 20A 125V AC, 10A 250V AC 16(4)A 125/250V AC
Contact Resistance	50m ohm Max
Insulation Resistance	DC 500V 100M ohm Min
Dielectric Strength	AC 1500V 1minute

Material Specifications

Frame	Black, Nylon #66
Actuator	Black, Nylon 66 +33%GF
Ingress Protection	IP56

Rev	Date of issue	Revision Notes	Designed	Approved
B	02-26-2020	Initial Drawing	RC	OF