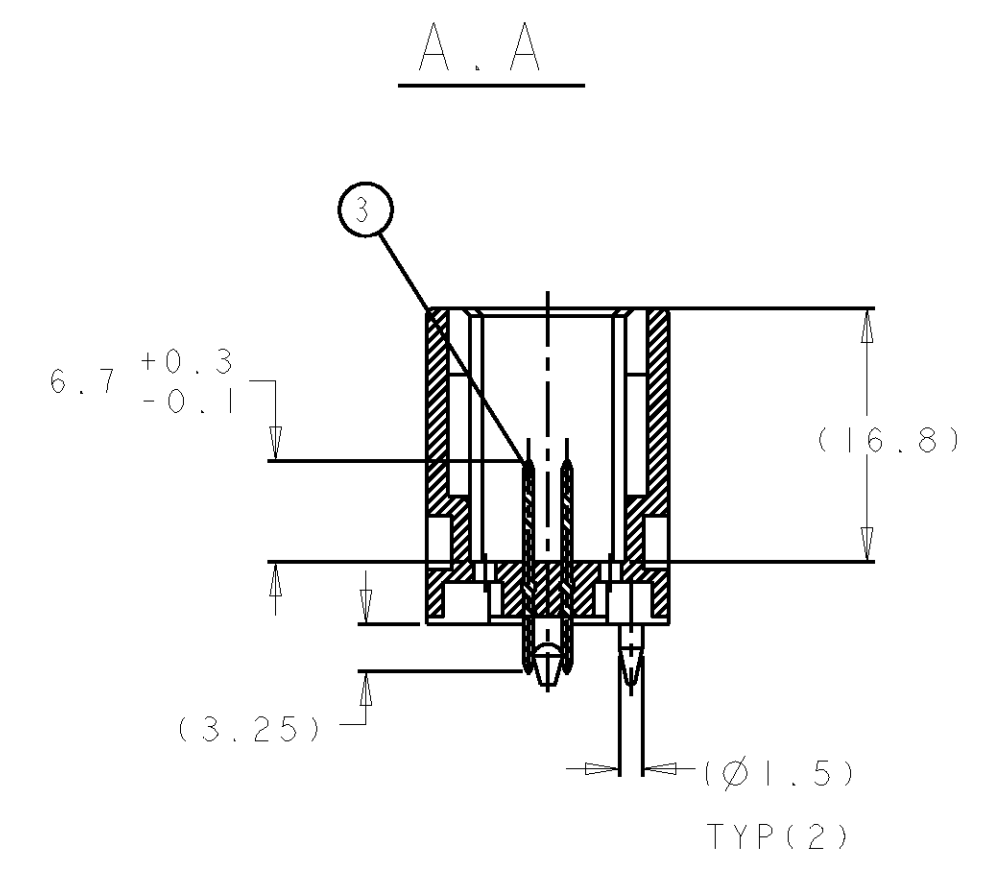
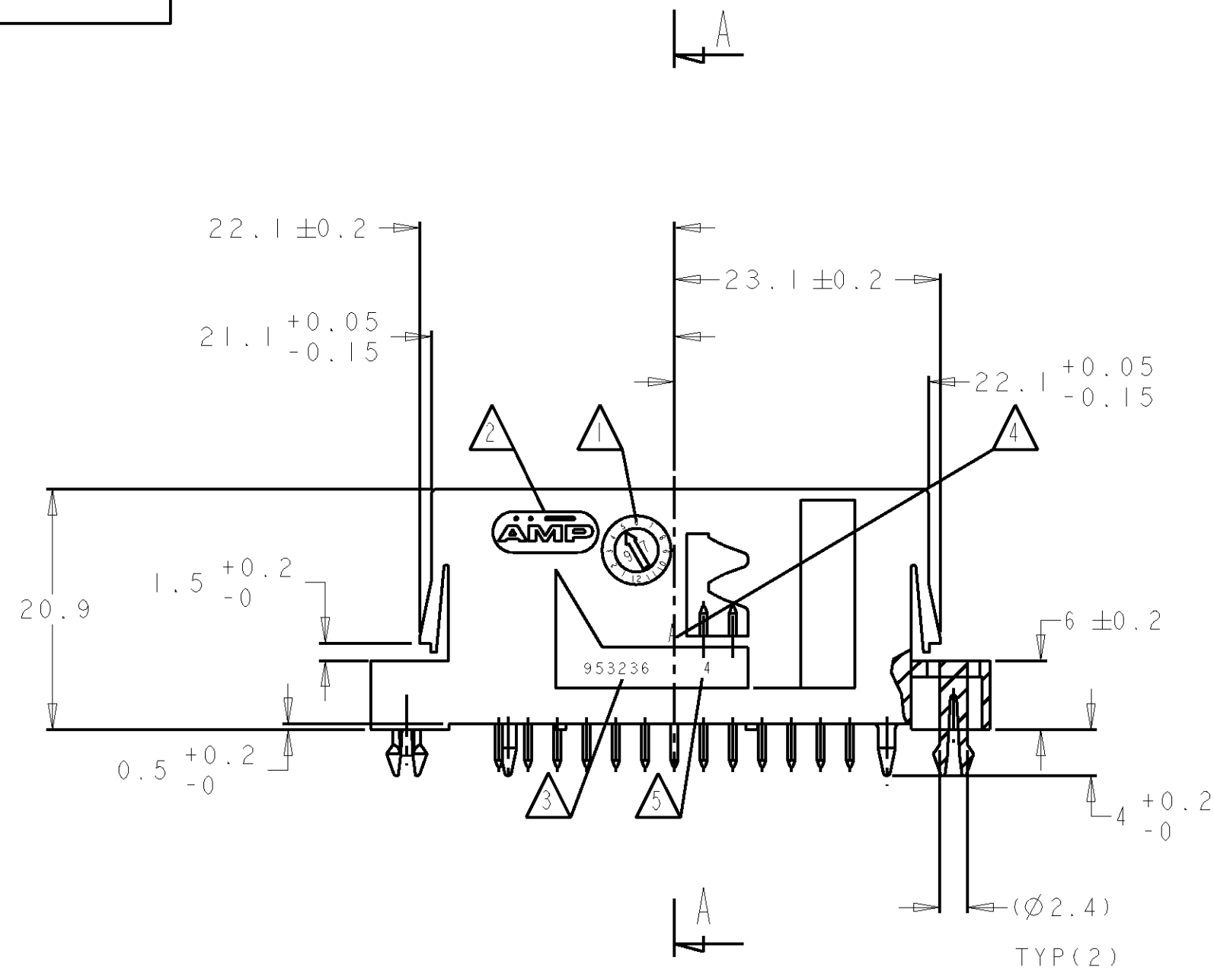
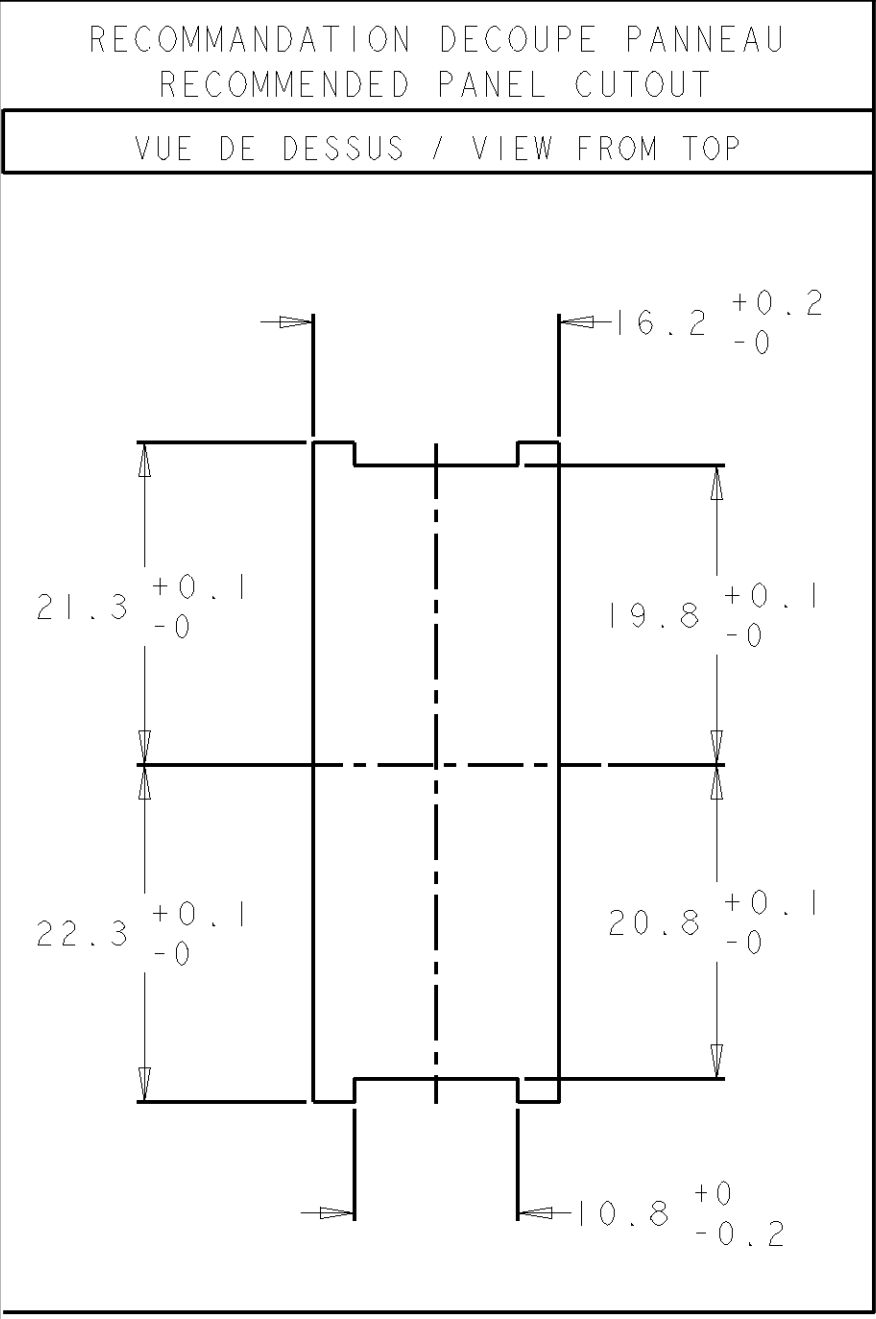
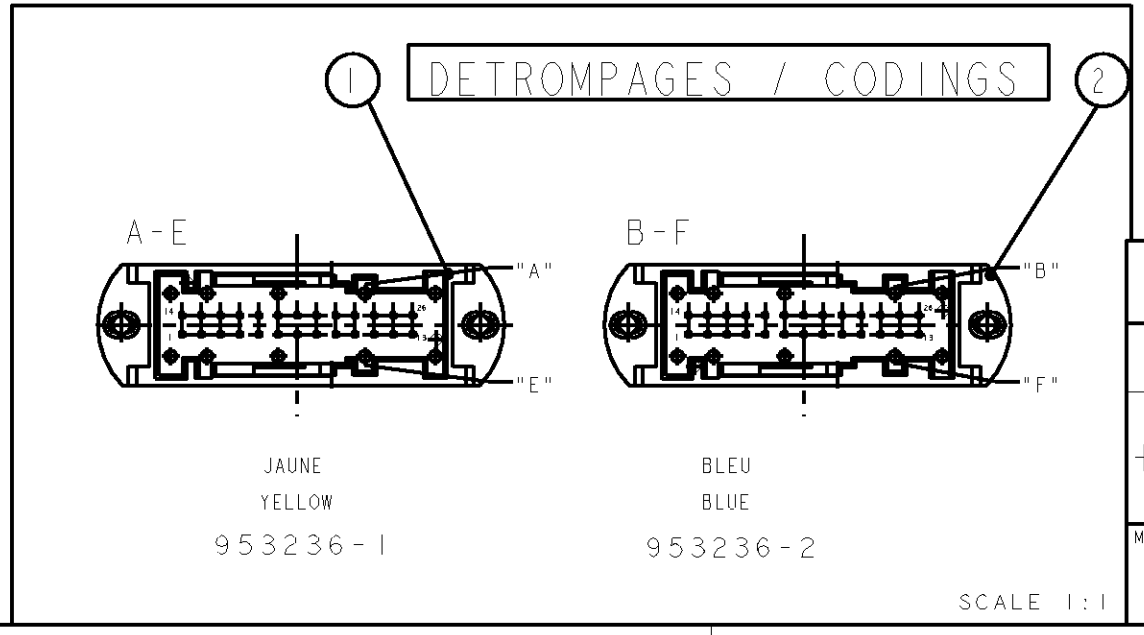
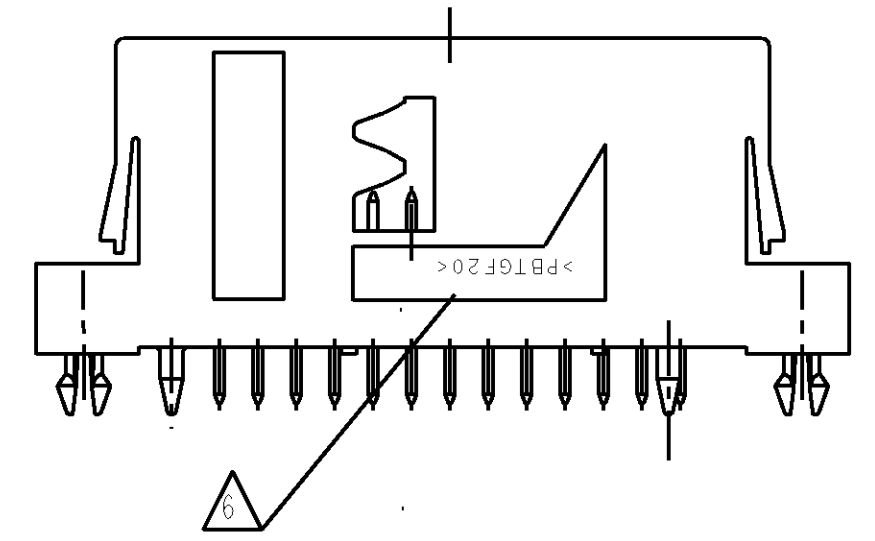
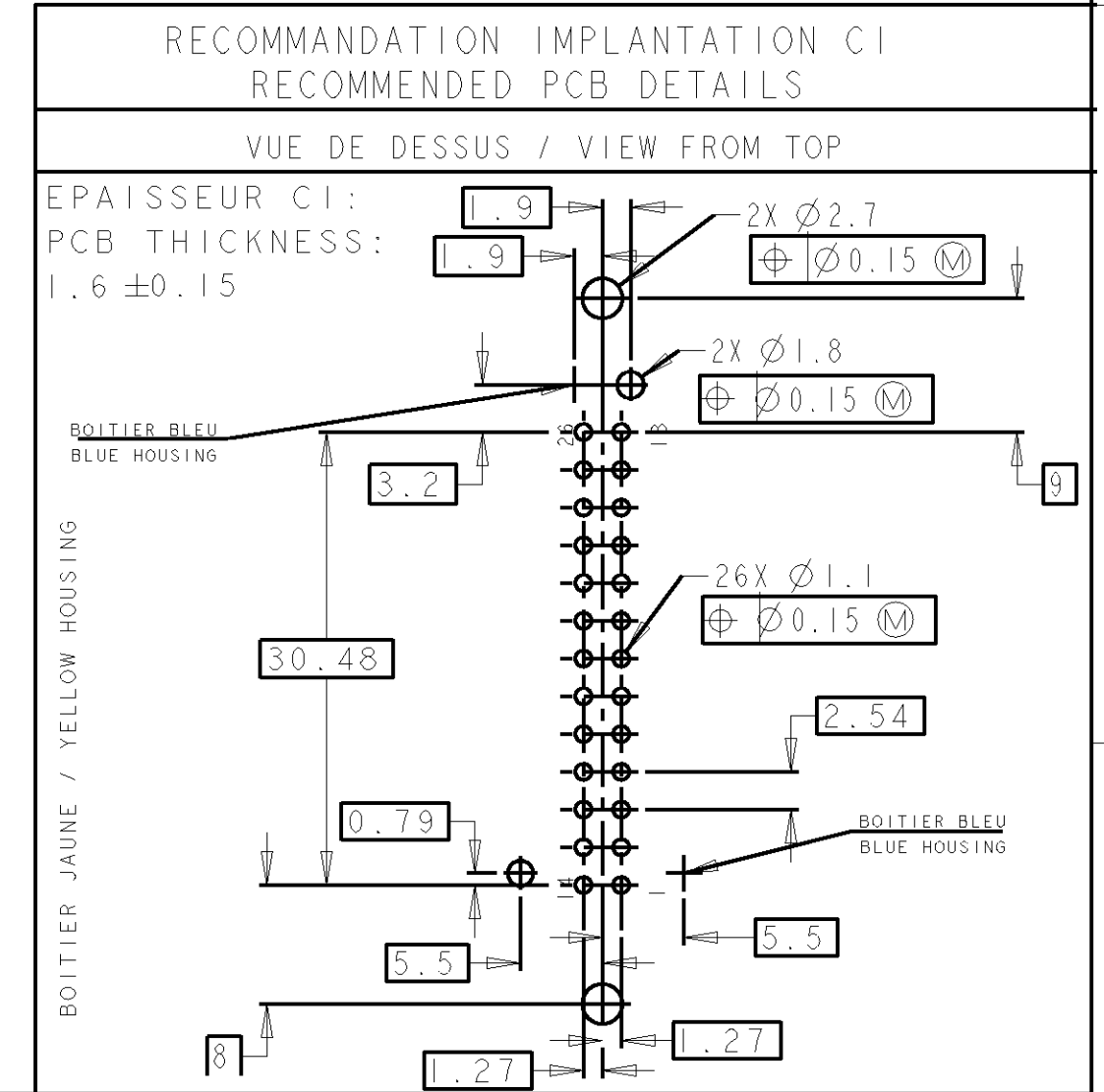
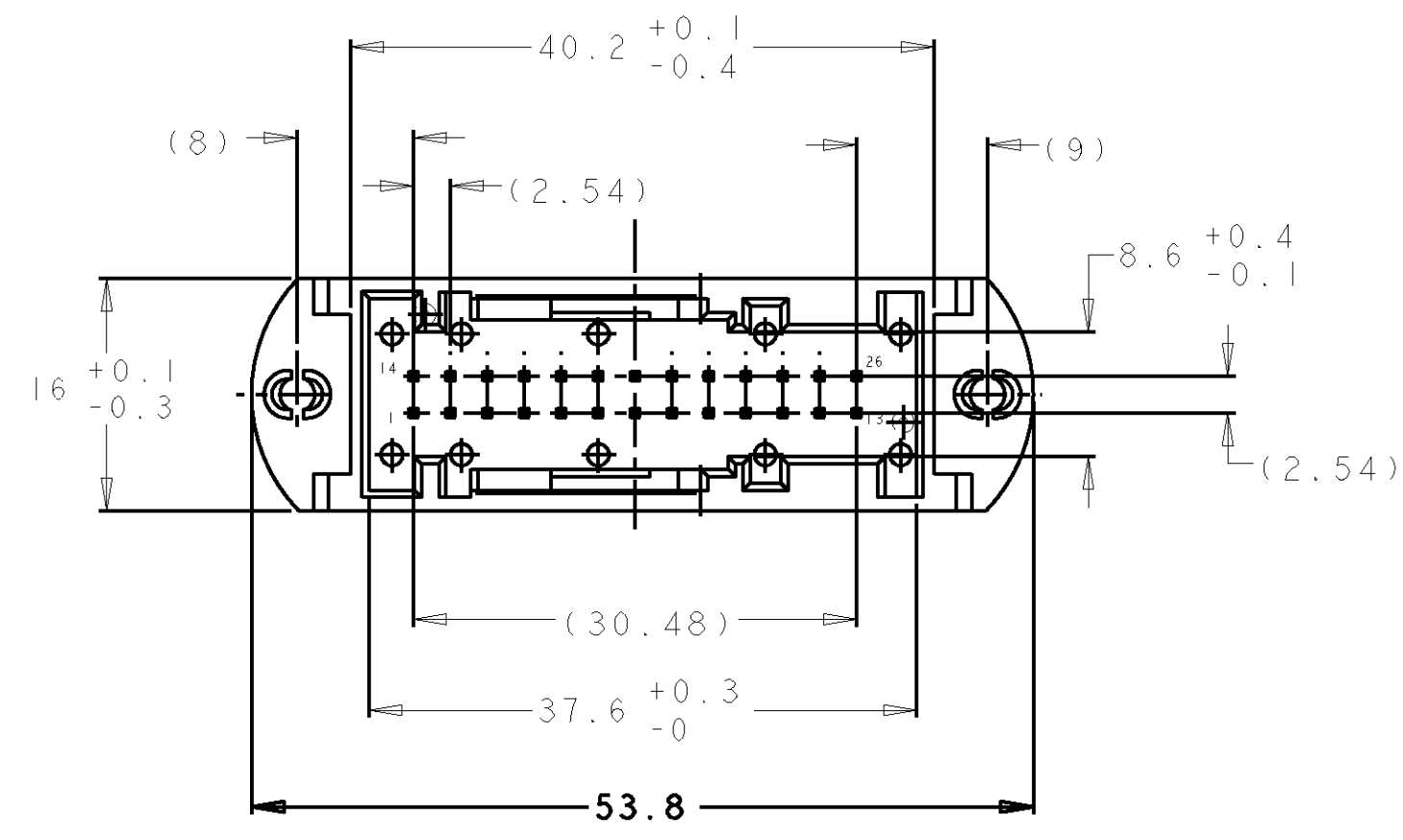


THIS DRAWING IS UNPUBLISHED. RELEASED FOR PUBLICATION 20
 © COPYRIGHT 20 BY TYCO ELECTRONICS CORPORATION. ALL RIGHTS RESERVED.

LOC		DIST		REVISIONS			
P	LTR	DESCRIPTION	DATE	DWN	APVD		
A		MISE A JOUR	FEV-98	JLQ	-		
B		MISE A JOUR MAROUAGE PIECE	MAR-99	JLQ	-		
C		PRE-TINNED PINS	30-OCT-07	M.V	J.L		



- MARQUAGES: MARKING:
- ① DATE CODE
 - ② LOGO D'AMP
 - ③ REFERENCE DU PRODUIT ASSEMBLE
 - ④ REVISION DU MOULE
 - ⑤ N° D'EMPREINTE DU MOULE
 - ⑥ MATIERE
- ① DATE CODE
 - ② AMP LOGO
 - ③ ASSY PART NUMBER
 - ④ REVISION STATUS
 - ⑤ CAVITY MARKING
 - ⑥ MATERIAL REFERENCE



REF / ASSY PN	QTY	MATERIAL	DESIGNATION / NAME	COULEUR / COLOR	REP
953236-1	26	CuSn6	CONTACT MQS 0.63X0.63	PRE ETAME / PRE-TIN	③
953236-2	-	PBT GF20	BOITIER / HOUSING	BLEU / BLUE	②
	1	PBT GF20	BOITIER / HOUSING	JAUNE / YELLOW	①

THIS DRAWING IS A CONTROLLED DOCUMENT FOR TYCO ELECTRONICS CORPORATION. IT IS SUBJECT TO CHANGE AND THE CONTROLLING ENGINEERING ORGANIZATION SHOULD BE CONTACTED FOR THE LATEST REVISION.

DWN	J. LAQUERBE	29-SEP-97	Tyco Electronics France SAS 95300 Pontoise, France
CHK	J. LAQUERBE	19-APR-99	
APVD	D. MIYI	19-APR-99	
PRODUCT SPEC	108-15181		
APPLICATION SPEC			NAME: EMBASE 26V MQS DROITE AVEC BOARD-LOCKS 26W MQS STRAIGHT HEADER WITH BOARD-LOCKS
MATERIAL	SEE TABLE		SIZE: A200779 CAGE CODE: C-953236 DRAWING NO: C-953236
FINISH	SEE TABLE		WEIGHT: 7.5 g SCALE: 2:1 SHEET: 1 OF 1 REV: C