

## Noise suppression filter

For audio lines (Cellular band suppression)

MAF series



## MAF1005G type



## FEATURES

- A compact noise suppression component for audio lines that accommodates high currents.
- Distortions are greatly reduced during insertion with the adoption of newly-developed low distortion ferrite materials.
- Small reductions in volume due to its low resistance, and optimal for devices that require high sound quality as the generating of sound distortions is controlled.
- Shows excellent effects in measures against the deterioration of the receiving sensitivity of wireless devices due to high attenuation characteristics in the cellular band.
- Operating temperature range: -55 to +125°C

## APPLICATION

- Sound lines for devices such as smartphones and tablets (earphones, microphones, and speakers).
- Sound lines for portable game machines.

## PART NUMBER CONSTRUCTION

|             |                                    |                 |               |                            |          |                 |               |
|-------------|------------------------------------|-----------------|---------------|----------------------------|----------|-----------------|---------------|
| <b>MAF</b>  | <b>1005</b>                        | <b>G</b>        | <b>AD</b>     | <b>152</b>                 | <b>A</b> | <b>T</b>        | <b>000</b>    |
| Series name | LxWxT dimensions<br>1.0x0.5x0.5 mm | Characteristics | Internal code | Impedance<br>(Ω) at 900MHz | Type     | Packaging style | Internal code |

## CHARACTERISTICS SPECIFICATION TABLE

| Type           | Impedance           |                     |         |                     | DC resistance |         | Rated current | Part No.                           |
|----------------|---------------------|---------------------|---------|---------------------|---------------|---------|---------------|------------------------------------|
|                | [100MHz]<br>(Ω)Typ. | [900MHz]<br>(Ω)Typ. | (Ω)Min. | [1.7GHz]<br>(Ω)Typ. | (Ω)Typ.       | (Ω)max. | (mA)max.      |                                    |
| Wide-band      | 40                  | 250                 | 150     | 320                 | 0.110         | 0.150   | 1250*         | <a href="#">MAF1005GAD251DT000</a> |
|                | 60                  | 400                 | 240     | 490                 | 0.160         | 0.210   | 1000*         | <a href="#">MAF1005GAD401DT000</a> |
| Low resistance | 80                  | 570                 | 340     | 630                 | 0.200         | 0.270   | 900*          | <a href="#">MAF1005GAD571DT000</a> |
|                | 105                 | 700                 | 450     | 750                 | 0.270         | 0.351   | 800*          | <a href="#">MAF1005GAD701DT000</a> |
| Wide-band      | 135                 | 1000                | 650     | 750                 | 0.420         | 0.550   | 450           | <a href="#">MAF1005GAD102AT000</a> |
|                | 200                 | 1500                | 1000    | 1200                | 0.550         | 0.700   | 400           | <a href="#">MAF1005GAD152AT000</a> |
|                | 400                 | 2600                | 1750    | 2000                | 1.000         | 1.200   | 300           | <a href="#">MAF1005GAD262AT000</a> |
|                | 500                 | 3500                | 2500    | 2400                | 1.300         | 1.650   | 270           | <a href="#">MAF1005GAD352AT000</a> |

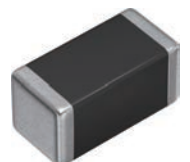
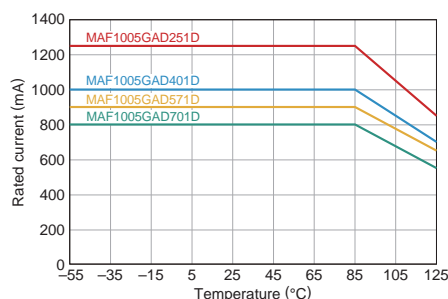
\* Please refer to the graph of rated current vs. temperature characteristics (derating) about the rating current at 85°C or more in temperature of the product.

## Measurement equipment

| Measurement item | Product No.   | Manufacturer          |
|------------------|---------------|-----------------------|
| Impedance        | E4991A+16192A | Keysight Technologies |
| DC resistance    | Type-7556     | Yokogawa              |

\* Equivalent measurement equipment may be used.

## Rated current vs. temperature characteristics (derating)



⚠ Please be sure to request delivery specifications that provide further details on the features and specifications of the products for proper and safe use.  
Please note that the contents may change without any prior notice due to reasons such as upgrading.

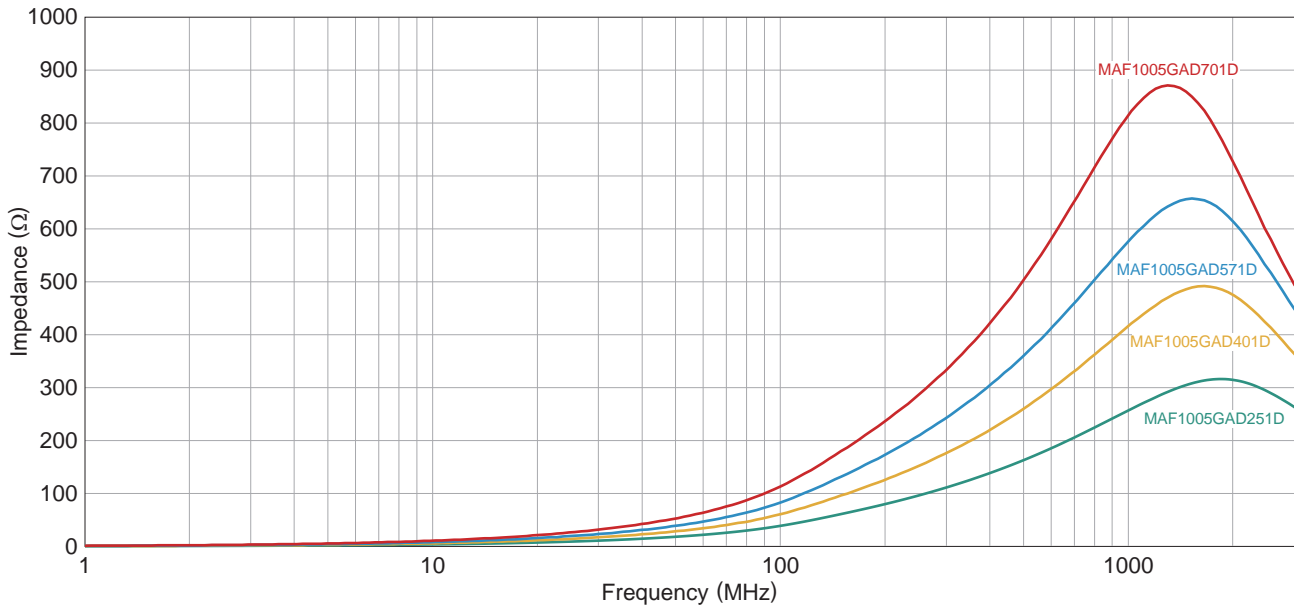
(1/5)

20230929

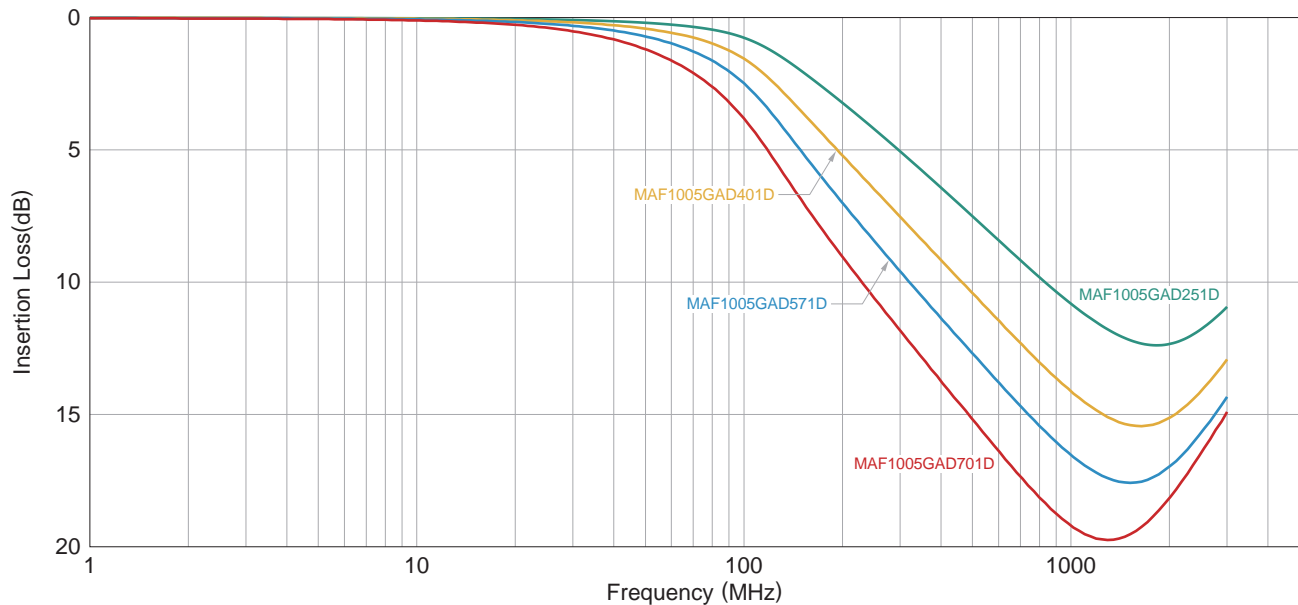
suppression-filter\_commercial\_maf1005g\_en

# MAF1005G type (Wide-band, low resistance type)

## Z FREQUENCY CHARACTERISTICS

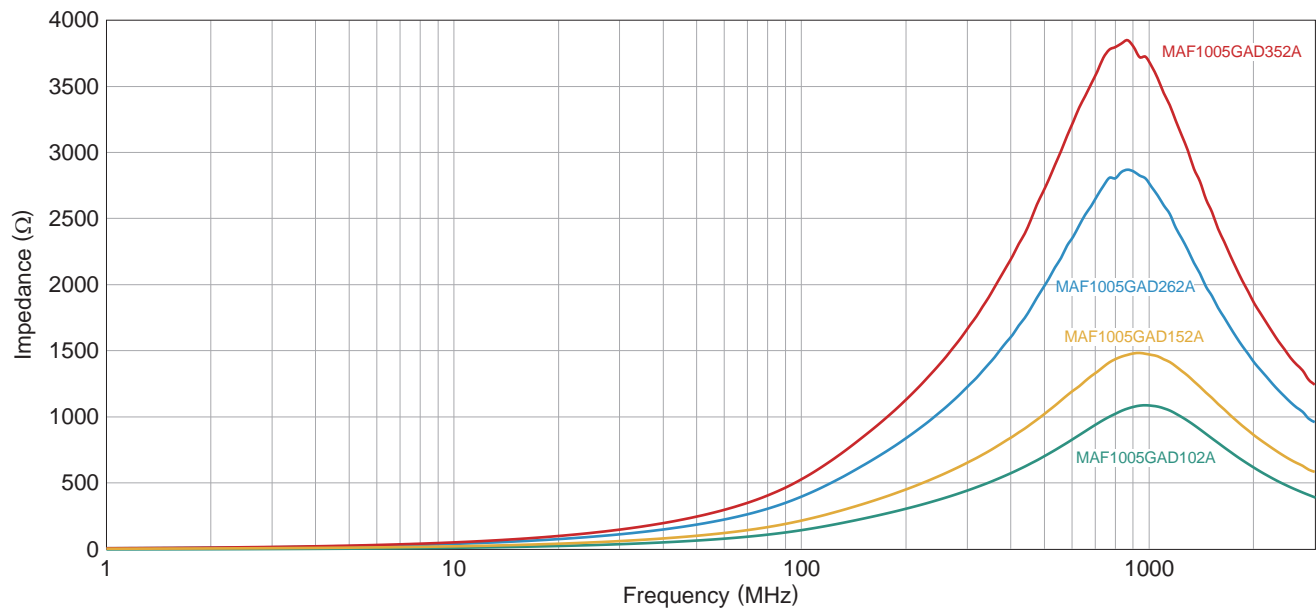


## INSERTION LOSS VS. FREQUENCY CHARACTERISTICS

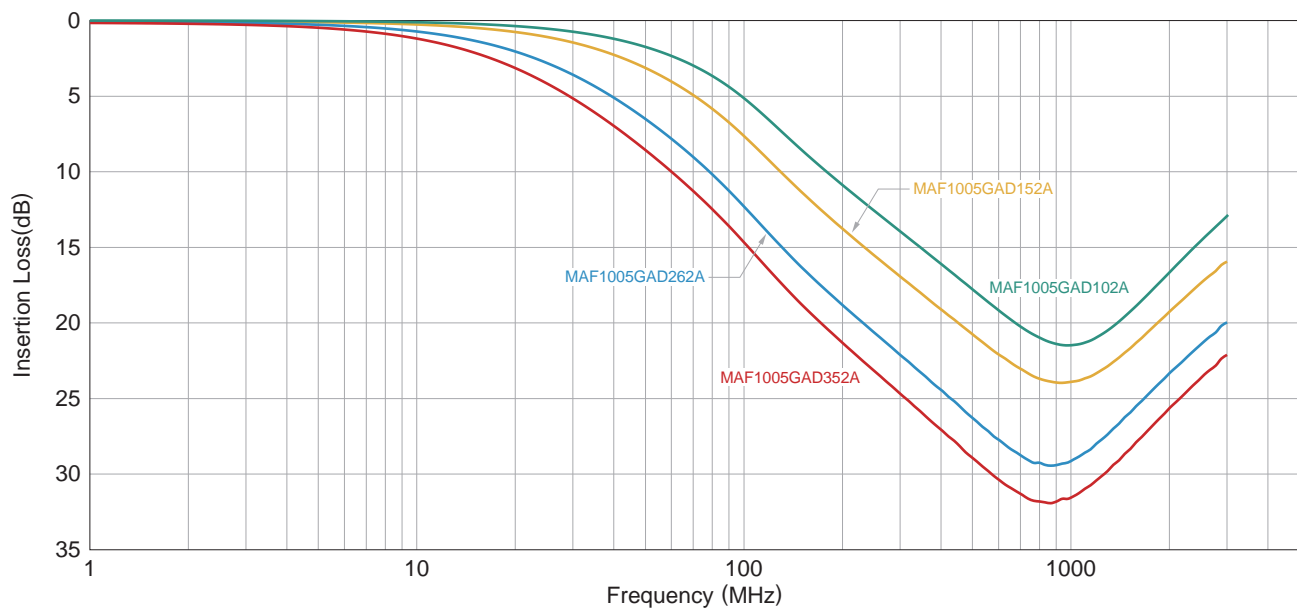


# MAF1005G type (Wide-band type)

## Z FREQUENCY CHARACTERISTICS

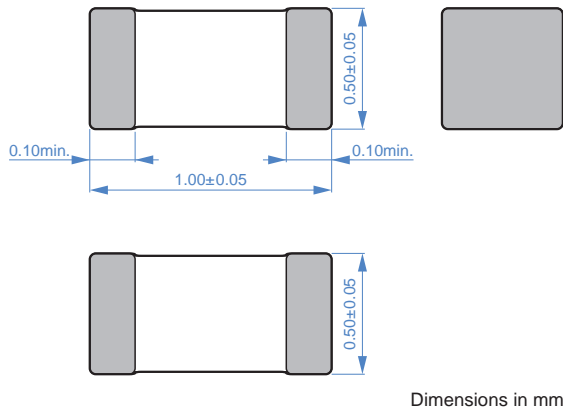


## INSERTION LOSS VS. FREQUENCY CHARACTERISTICS

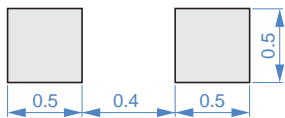


## MAF1005G type

## SHAPE &amp; DIMENSIONS

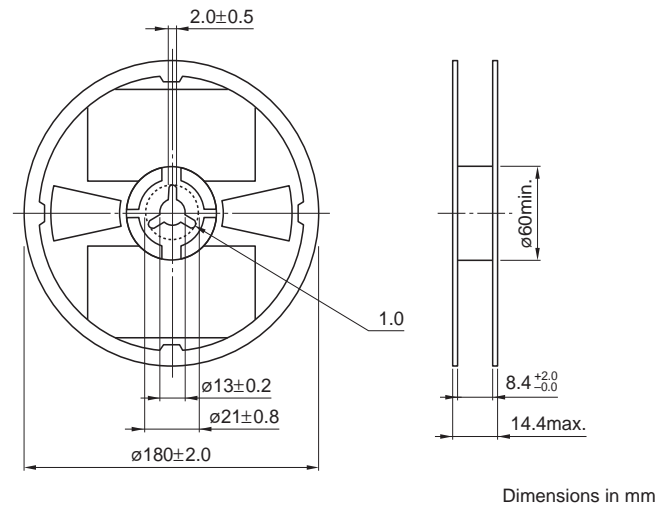


## RECOMMENDED LAND PATTERN

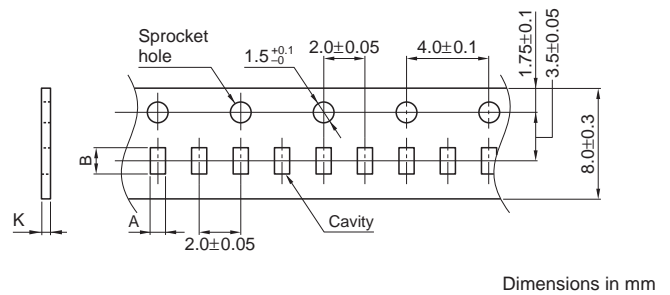


## PACKAGING STYLE

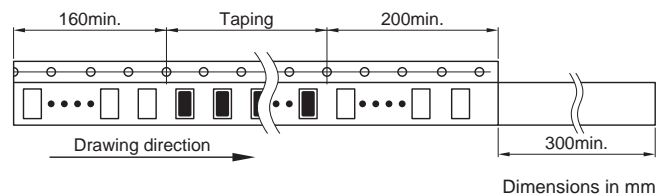
## REEL DIMENSIONS



## TAPE DIMENSIONS



| Type     | A        | B        | K       |
|----------|----------|----------|---------|
| MAF1005G | 0.65±0.1 | 1.15±0.1 | 0.8max. |



## PACKAGE QUANTITY

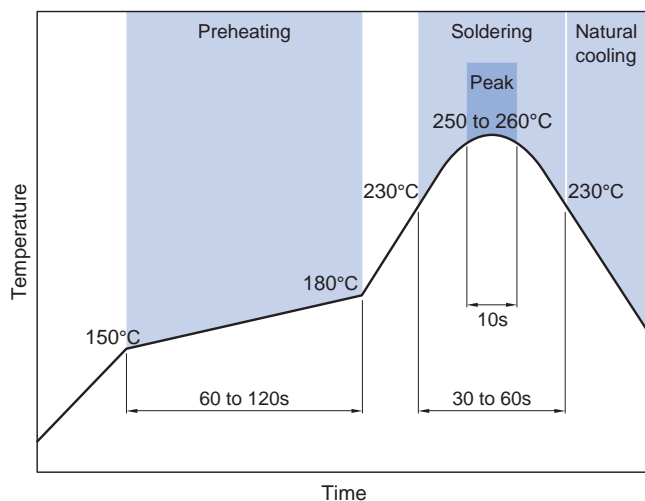
|                  |                 |
|------------------|-----------------|
| Package quantity | 10,000 pcs/reel |
|------------------|-----------------|

## TEMPERATURE RANGE, INDIVIDUAL WEIGHT

| Operating temperature range | Storage temperature range * | Individual weight |
|-----------------------------|-----------------------------|-------------------|
| -55 to +125                 | -55 to +125                 | 0.3 mg            |

\* The storage temperature range is for after the assembly.

## RECOMMENDED REFLOW PROFILE



## REMINDERS FOR USING THESE PRODUCTS

Before using these products, be sure to request the delivery specifications.

### SAFETY REMINDERS

Please pay sufficient attention to the warnings for safe designing when using this products

### REMINDERS

- The storage period is within 12 months. Be sure to follow the storage conditions (temperature: 5 to 40°C, humidity: 10 to 75% RH or less).  
If the storage period elapses, the soldering of the terminal electrodes may deteriorate.
- Do not use or store in locations where there are conditions such as gas corrosion (salt, acid, alkali, etc.).
- Soldering corrections after mounting should be within the range of the conditions determined in the specifications.  
If overheated, a short circuit, performance deterioration, or lifespan shortening may occur.
- When embedding a printed circuit board where a chip is mounted to a set, be sure that residual stress is not given to the chip due to the overall distortion of the printed circuit board and partial distortion such as at screw tightening portions.
- Self heating (temperature increase) occurs when the power is turned ON, so the tolerance should be sufficient for the set thermal design.
- Carefully lay out the coil for the circuit board design of the non-magnetic shield type.  
A malfunction may occur due to magnetic interference.
- Use a wrist band to discharge static electricity in your body through the grounding wire.
- Do not expose the products to magnets or magnetic fields.
- Do not use for a purpose outside of the contents regulated in the delivery specifications.
- The products listed on this catalog are intended for use in general electronic equipment (AV equipment, telecommunications equipment, home appliances, amusement equipment, computer equipment, personal equipment, office equipment, measurement equipment, industrial robots) under a normal operation and use condition.  
The products are not designed or warranted to meet the requirements of the applications listed below, whose performance and/or quality require a more stringent level of safety or reliability, or whose failure, malfunction or trouble could cause serious damage to society, person or property.  
If you intend to use the products in the applications listed below or if you have special requirements exceeding the range or conditions set forth in the each catalog, please contact us.

(1) Aerospace/aviation equipment

(2) Transportation equipment (cars, electric trains, ships, etc.)

(3) Medical equipment

(4) Power-generation control equipment

(5) Atomic energy-related equipment

(6) Seabed equipment

(7) Transportation control equipment

(8) Public information-processing equipment

(9) Military equipment

(10) Electric heating apparatus, burning equipment

(11) Disaster prevention/crime prevention equipment

(12) Safety equipment

(13) Other applications that are not considered general-purpose applications

When designing your equipment even for general-purpose applications, you are kindly requested to take into consideration securing protection circuit/device or providing backup circuits in your equipment.