



soberton inc.

ELECTRO MAGNETIC BUZZER

Acoustic Product Specification

Product Number: WST-1210T



Release | Revision: A/2022

CONTENTS

This document contains the technical specifications for the electromagnetic buzzer with built-in oscillating circuit.

Page 1
Specifications

Dimensions

Page 2
Reliability Test

Page 3
Electrical and Acoustical
Measuring Condition

Recommended Wave Soldering
Temperature

Page 4
Packing

Specifications

| Item | Unit | Specifications |
|-------------------------------------|------|------------------------------------|
| Rated Voltage | VDC | 5 |
| Operating Voltage | VDC | 3 ~ 8 |
| Rated Current | mA | Max. 30 at 5 VDC |
| Sound Output | dB | Min. 85 at 5 VDC |
| Tone | | Continuous |
| Resonant Frequency | Hz | 2300±300 |
| Operating Temperature | °C | -20 ~ +70 |
| Storage Temperature | °C | -30 ~ +80 |
| Dimensions | mm | Ø12.0 x H9.5 |
| Pin Length | mm | L1= 4.0±0.5, L2= 5.5±0.5, ø0.6±0.1 |
| Housing Material | | Black PBT |
| Net Weight | gram | Approx. 1.7 |
| Terminal | | Pin Type |
| Environmental Protection Regulation | | RoHS 2.0 |

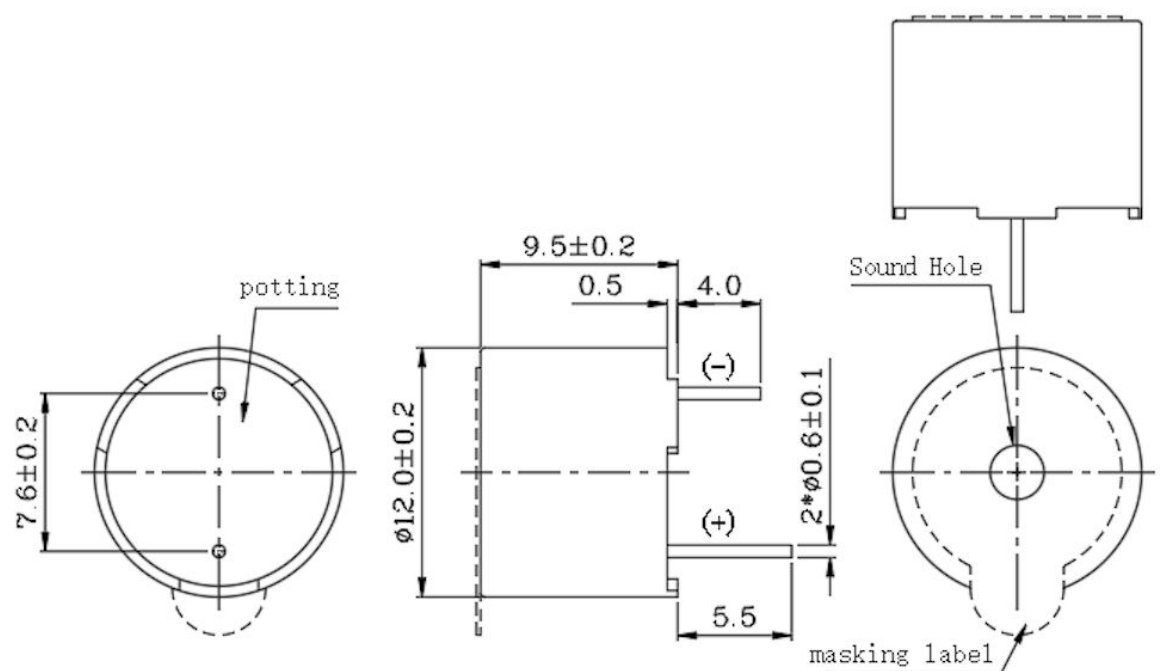
Measuring Condition:

Temperature: 5~35°C Humidity: 45%~85%R.H Atmospheric Pressure: 860 ~1060hPa

Dimensions

Unit mm

Tolerance ±0.5mm, except where specified



Pitch: 7.6mm

Housing Material: Black PBT



soberton inc.

ELECTRO MAGNETIC BUZZER

Acoustic Product Specification

Product Number: WST-1210T



Release | Revision: A/2022

CONTENTS

This document contains the technical specifications for the electromagnetic buzzer with built-in oscillating circuit.

Page 1

Specifications

Dimensions

Page 2

Reliability Test

Page 3

Electrical and Acoustical
Measuring Condition

Recommended Wave Soldering
Temperature

Page 4

Packing

Reliability Test

After any of the following tests the part shall meet specifications without any degradation in appearance and performance except SPL. SPL shall meet the specifications and shall not deviate more than -10dB from the initial value.

Standard Temperature Life Test

The part shall be subjected to 96 hours at $25\pm 10^{\circ}\text{C}$.

Input rated voltage: 5 VDC

Resonant frequency: 2300Hz, 50% duty cycle, square wave.

High Temperature Test

The part shall be capable of withstanding a storage temperature of $+80^{\circ}\text{C}$ for 96 hours.

Low Temperature Test

The part shall be capable of withstanding a storage temperature of -30°C for 96 hours.

Humidity Test

Temperature $+40^{\circ}\text{C}\pm 3^{\circ}\text{C}$

Relative Humidity 90% ~ 95%

Duration 48 hours and exposure to room temperature for 6 hours

Temperature Shock Test

Per cycle

70°C / 1 hour \rightarrow 25°C / 3 hours \rightarrow -30°C / 1 hour \rightarrow 25°C / 3 hours

Total cycle 10 cycles

Drop Test

Standard Packaging from 75mm

Drop on hardwood or board of 5cm thick, three sides, six plain

Vibration Test

Vibration 1000 cycles/min.

Amplitude 1.5mm

Duration 1 hour in each 3 axes

Note

Please make sure that any foreign materials (e.g. magnetic powder, washing solvent, flux, corrosive gas) do not enter this product in your production processes. Contamination may result in a loss of some or all audio output.



soberton inc.

ELECTRO MAGNETIC BUZZER

Acoustic Product Specification

Product Number: WST-1210T



Release | Revision: A/2022

CONTENTS

This document contains the technical specifications for the electromagnetic buzzer with built-in oscillating circuit.

Page 1
Specifications
Dimensions

Page 2
Reliability Test

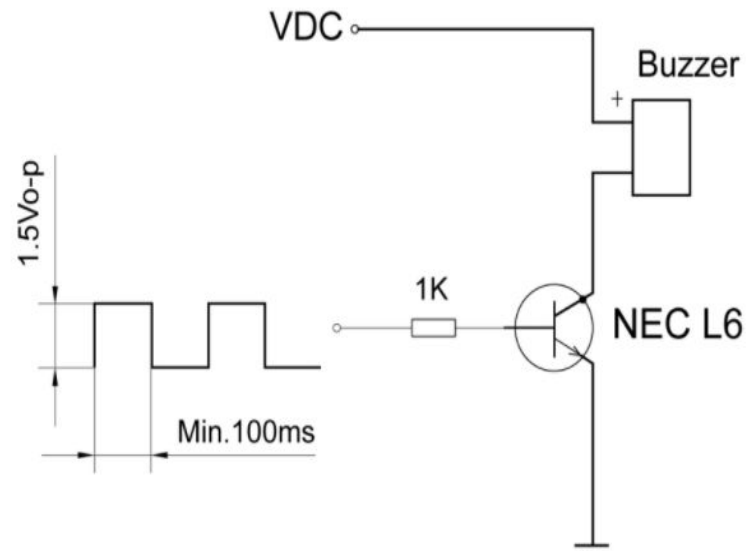
Page 3
Electrical and Acoustical
Measuring Condition

Recommended Wave Soldering
Temperature

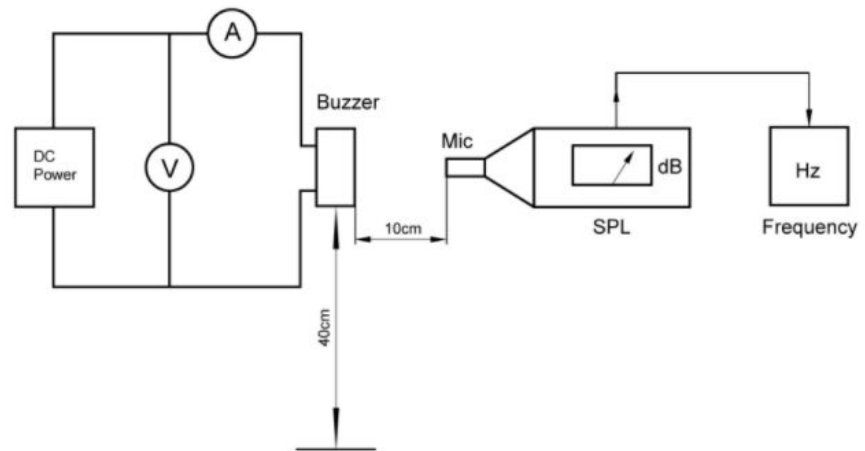
Page 4
Packing

Electrical and Acoustical Measuring Condition

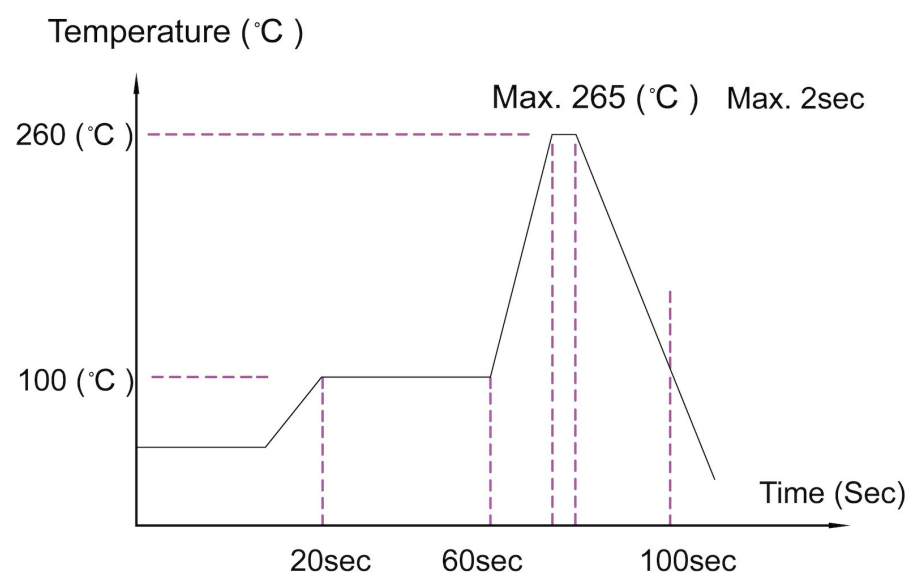
Recommended Test Circuit



Recommended Setting



Recommended Wave Soldering Temperature





soberton inc.

ELECTRO MAGNETIC BUZZER

Acoustic Product Specification

Product Number: WST-1210T



Release | Revision: A/2022

CONTENTS

This document contains the technical specifications for the electromagnetic buzzer with built-in oscillating circuit.

Page 1

Specifications

Dimensions

Page 2

Reliability Test

Page 3

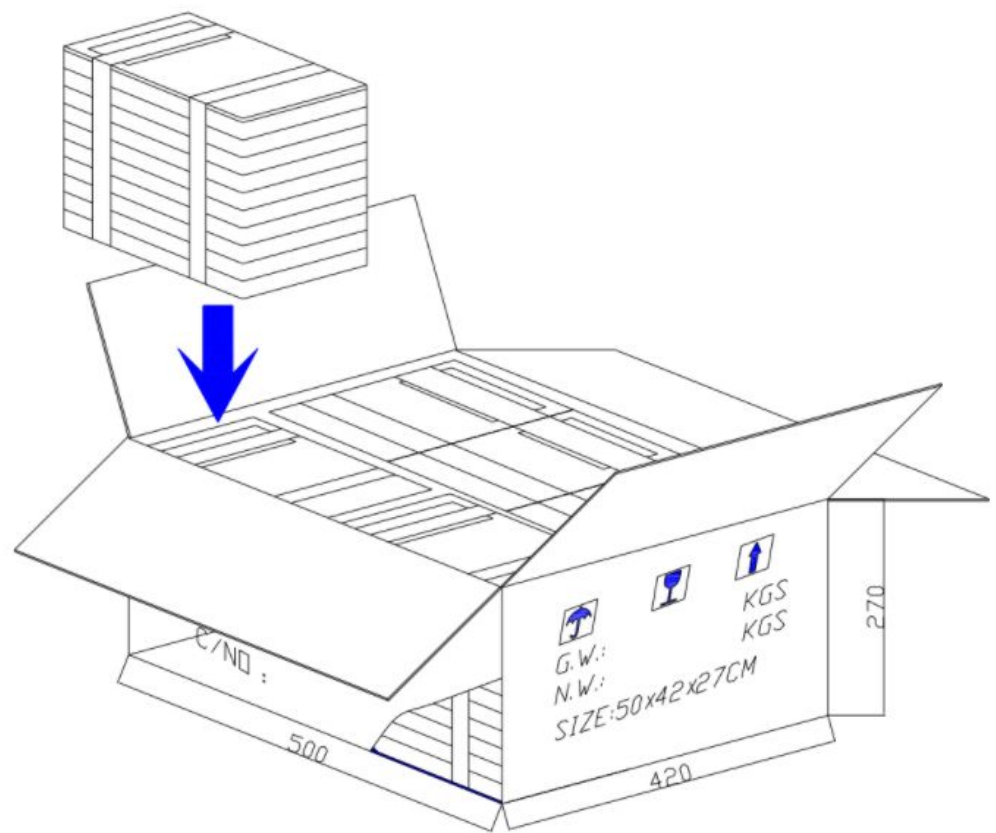
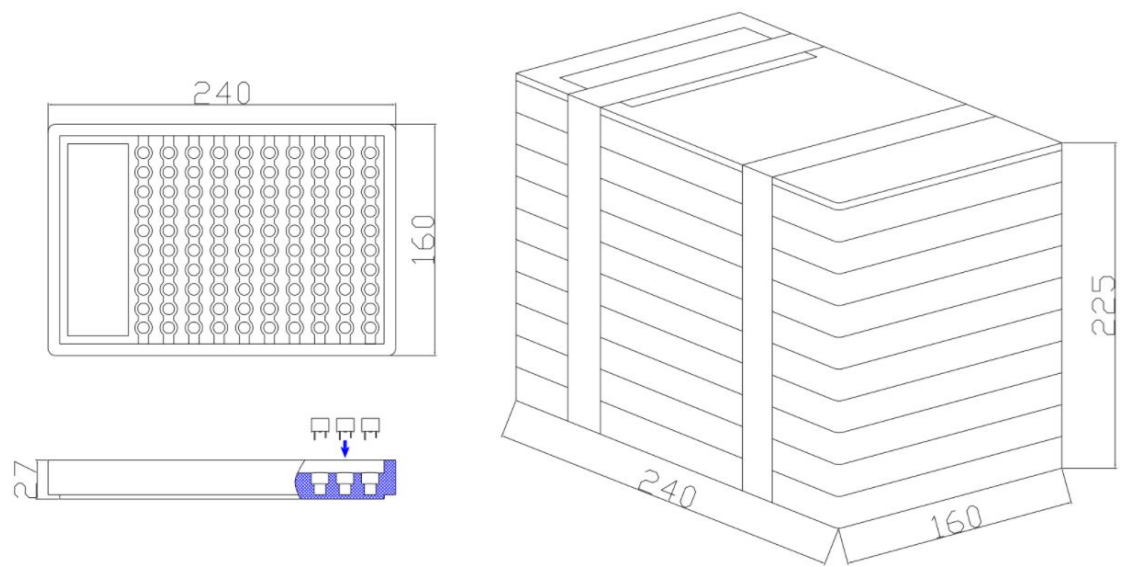
Electrical and Acoustical
Measuring Condition

Recommended Wave Soldering
Temperature

Page 4

Packing

Packing



| Packing Method | Quantity (pc) | Measurement (mm) |
|----------------|---------------|------------------|
| Per Tray | 100 | 240x160x27 |
| Bundle | 1000 | 240x160x225 |
| Carton | 5000 | 500x420x270 |