



WWW.BARRYIND.COM

# TVC3725CB-50R0JN-99-03

## BeO

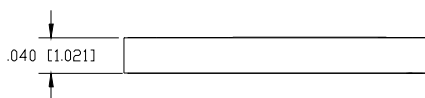
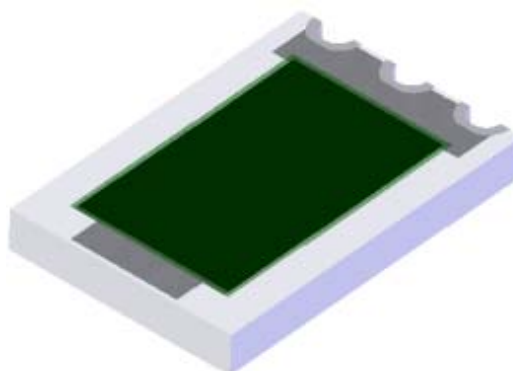
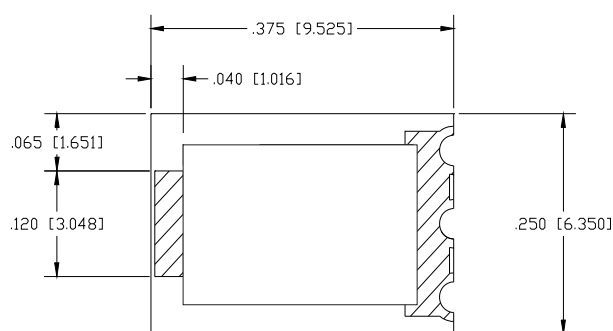
## CHIP TERMINATION

### Features:

- ◆ BeO Material
- ◆ DC - 4 GHz Performance
- ◆ 150 Watt Input Power
- ◆ CB = Tin Lead over Nickel over Silver
- ◆ Solder Mountable

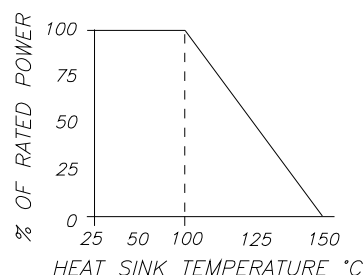
### General Description:

The TVC3725CB-50R0JN-99-03 is a 50 ohm, BeO chip termination. It has an input power of 150 watts, while maintaining a constant mounting surface temperature of 100°C. It offers a frequency range from DC to 4 GHz.



Dimensions in inches [mm]  
Tolerance  $\pm .010$  [.254]  
unless otherwise stated

DERATING CURVE:



Parameter	Min.	Typ.	Max.	Units
Frequency Range	DC		4	GHz
Input Return Loss	20			dB
Input Power			150	Watts
Resistance	47.5	50	52.5	Ohms
Mounting Surface Temperature			100 150 (0% Power)	°C

Barry Industries reserves the right to change part number and or process without notification.

Barry Industries, Inc., 60 Walton St., Attleboro, MA 02703 T: 508-226-3350 F: 508-226-3317 E-mail: sales@barryind.com

Barry Industries maintains an ISO 9001 Certified Quality Management System

Origination Date	Revision Date	Rev.
07/11/03	03/30/11	A