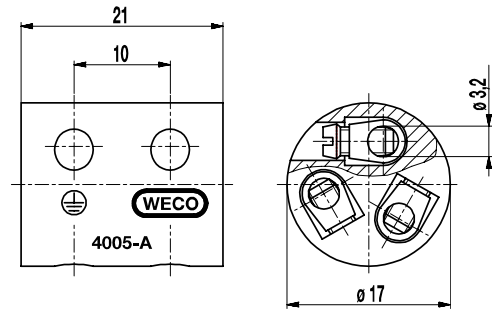


## 4005-A

Socket terminal  
round version



### GENERAL INFORMATION

No. of poles 3

### TECHNICAL DATA

Clamping Range	<i>solid / stranded / AWG</i> 0,75 - 6 mm <sup>2</sup> / 0,25 - 2,5 mm <sup>2</sup> / 24 - 14 AWG [1]
Rated Cross Section	2,5 mm <sup>2</sup>
Wire Stripping Length	6,5 mm ± 0,5 mm
Rated Insulation Voltage	450 V acc. to EN 60998-1
Torque	0,5 Nm
Other specifications	Terminal strips must not be strung together without considering the clearance and creepage distances.

### MATERIAL

Moulding	Technical ceramics
Comparative Tracking Index	CTI ≥ 600
Insulating Group	I
Temperature Range	-40°C up to 250°C
Terminal body	Nickel plated brass
Screw	M3; Zinc plated steel, blue passivated

[1] The clamping range for flexible and AWG conductors was determined using ferrules. Use of flexible conductors without ferrules is not recommended.

### CONFIGURATIONS

Item	Article number	PU
4005-A	10.610.004	125