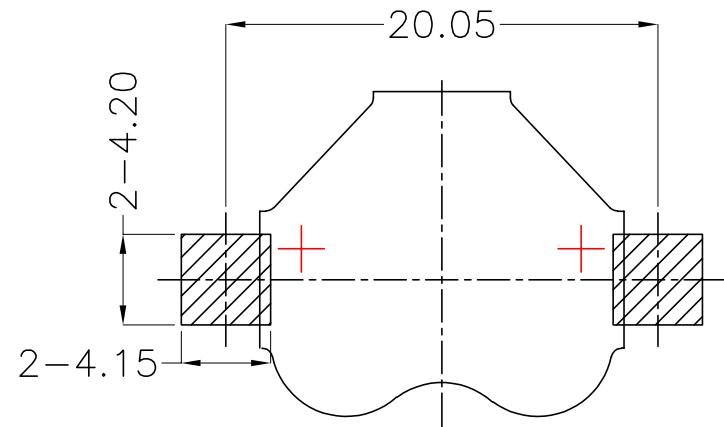
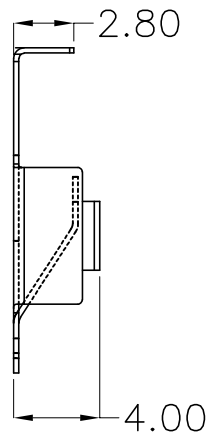
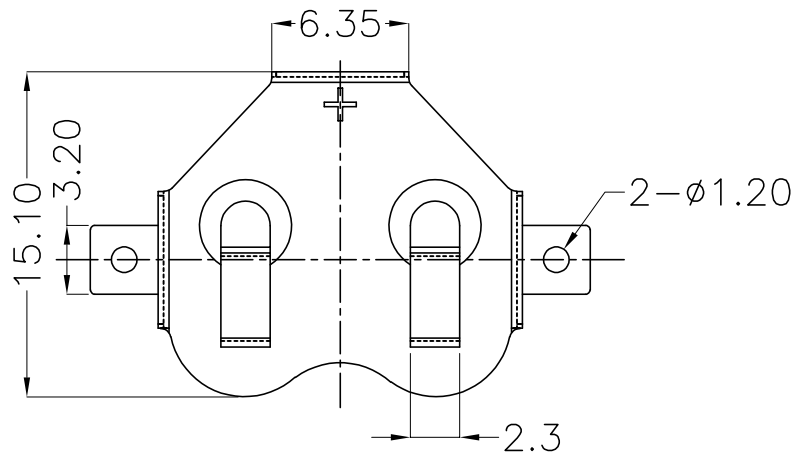
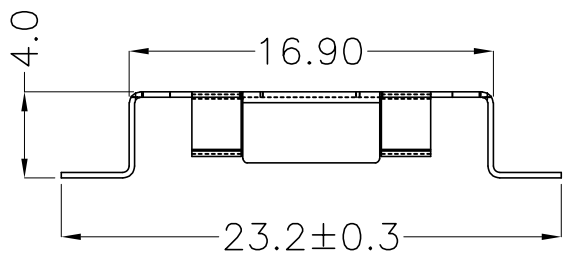




REV.	ECN NO.	REVISED	DATE



PCB Layout Diagram  
Top View



工程部  
2024-01-12  
LQ. HUANG

UNLESS OTHERWISE SPECIFIED TOLERANCES		<b>MYOUNG 美用</b> <a href="http://www.meiyangdz.com">www.meiyangdz.com</a>			
DECIMALS: X :±0.30 X.X :±0.25 X.XX :±0.20 X.XXX :±0.10	ANGLES: X :±1° X.X :±0.5°	DSND	HuangLieQing	DATE	2024-01-12
WEIGHT:		CHKD	ZhouRuicai	DATE	2024-01-12
SHEET 1 OF 2		APVD	XueShunyong	DATE	2024-01-12
		SCALE: 1:1	SIZE:	VIEW:	TITLE: 电池扣CR1632-W SMT 卷装
		UNIT: mm	REV.: A/0	OBJECT: MY	PART NO.: MY-1632-03-R
					DRAW NO.:MY-CP-0247

1	TERMINAL(+)	1	PHOSPHOR BRONZE, T=0.25mm	Ni-Plating
NO.	PART NAME	Q'TY	MATERIAL	PLATING & COLOR

