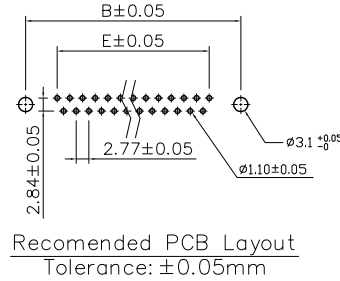
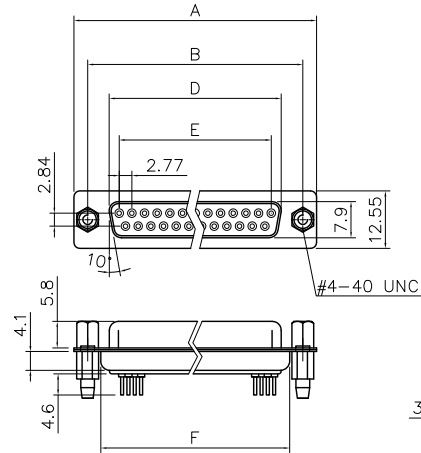


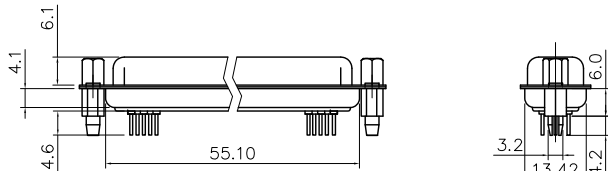
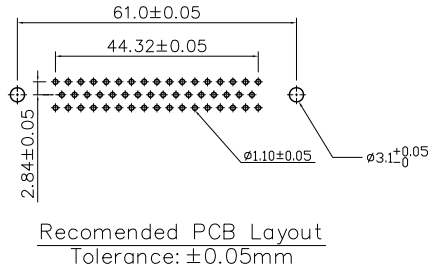
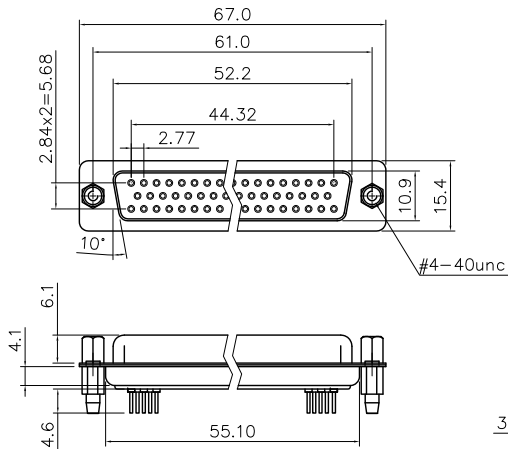
This document is the property of Amphenol Corporation and is delivered on the express condition that it is not to be disclosed, reproduced or used, in whole or in part, for manufacture or sale by anyone other than Amphenol Corporation without its prior consent, & that no right is granted to disclose or to use any information in this document.

# Customer drawing



DIMENSION TABLE

POSITIONS	A±0.15	B±0.10	D±0.13	E±0.08	F±0.10
9	30.81	24.99	16.33	11.08	19.20
15	39.20	33.30	24.70	19.39	27.70
25	53.05	47.04	38.40	33.24	41.10
37	69.40	63.50	54.80	49.86	57.30



50 POSITIONS



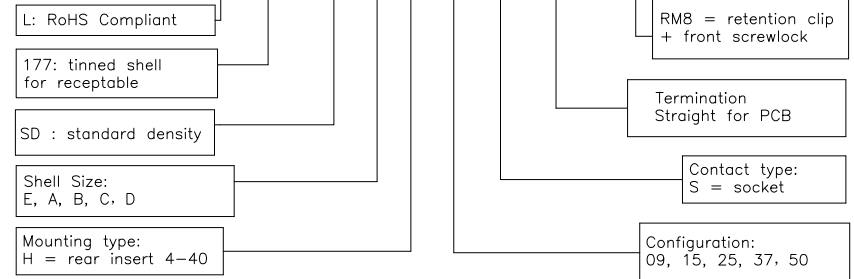
REVISIONS				
SYM	ECN	DESCRIPTION	DATE	APPROVED
1	HK--	First Release Drawing	08/28/08	IP
2	HK--	Update the Drawing	07/04/14	IP

## D-SUB TECHNICAL DATA

SHELL : Steel, 100u" Tin over 50u" min nickel over 50u" min Copper  
 BODY : Glass-Filled Thermoplastic PBT, UL94V-0  
 CONTACTS : Copper alloy  
 15u" gold over 50u" nickel on mating area  
 100u" tin over 50u" nickel on solder area  
 BOARDLOCK: Brass, Tin Plated.  
 SCREWLOCK: Brass, Nickel Plated  
 ELECTRICAL: Voltage Rating 250 V RMS 60Hz  
 Current Rating 3 AMP  
 Withstanding Voltage >1000 V RMS 60Hz for 1 minute  
 Insulation Resistance >1000 M Ohms  
 Contact Resistance 20 mOhms max.  
 MARKING: Amphenol...(Series No.)  
 Commercial Reference  
 Manufacturing Date

## PRODUCT CODE

### L 177 SD X H XX S OL2 RM8



UNLESS OTHERWISE SPECIFIED TOLERANCES		APPROVAL		DATE
U.S.	METRIC	DRAWN	Checked	DATE
.X +/-	0.38	Petia Liu	Tony Tang	07/04/14
.XX +/-	0.25	CHECKED		
FRACTIONS +/-	0.13			
ANGLES +/-	5°			
FOR MATERIALS AND FINISHES SEE NOTES		DRAWING FILE :		
REMOVE SHARP EDGES		ANGLE OF PROJECTION		
DIMENSIONS				
U.S.	INCHES			
METRIC	MM			

Amphenol	
Amphenol East Asia Limited	
TITLE	
Stamped and formed contacts,SD series	
SIZE	DRAWING NO.
A4	L177SDXHXXSOL2RM8
SCALE	NONE
SHEET 1	OF 1