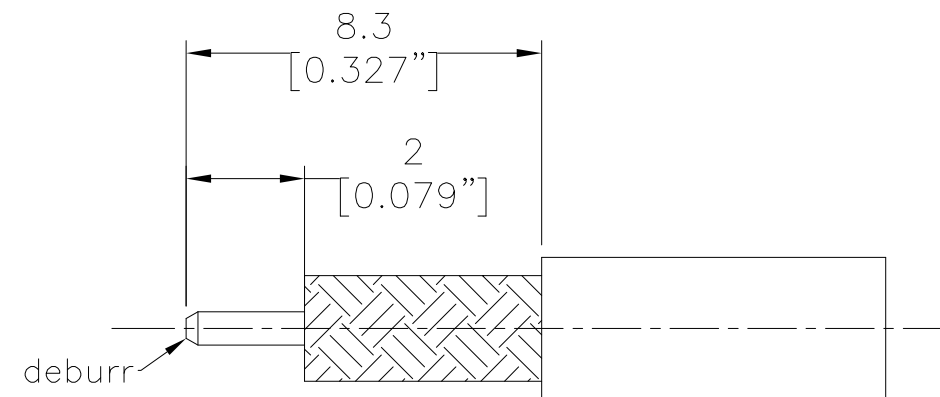
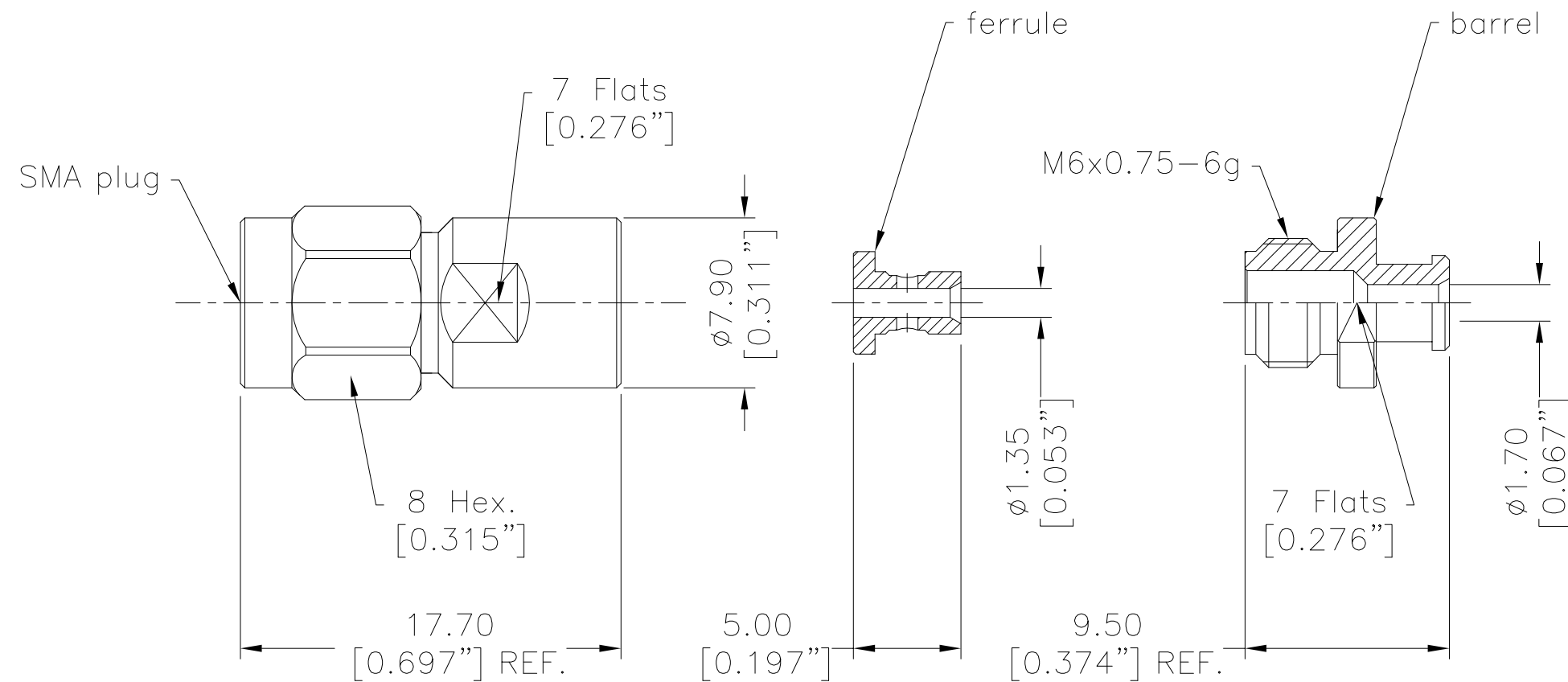


SYM	REVISION DESCRIPTION	DFTM	DATE	APPD	DATE
A	RELEASED FOR PRODUCTION	Patrick	2021/02/03	Tony	2021/02/03
B	ECN-2022-08-001	Joshua	2022/08/16	Tony	2022/08/16



**I. MATERIALS & FINISHES**

Components	Materials	Finishes	Thk. (μ")
Body/Shell	Stainless Steel	Passivation	--
Contact Pin	Beryllium Copper	Gold	50
Insulator	PTFE	--	--
Ferrule	Brass	Gold	10
Barrel	Stainless Steel	Passivation	--
Gasket	Silicone Rubber	--	--

**II. ELECTRICAL PROPERTIES**

Impedance:	50 Ω
Frequency Range:	DC to 26.5 GHz
Dielectric Withstanding Voltage:	500 V rms
Insulation Resistance:	≥5000 MΩ
VSWR:	≤1.30
Insertion Loss:	-0.1x√f(GHz) dB

All Material and Plating of Parts Meet TIMES Document: WI-RD-003

**III. ENVIRONMENTAL PROPERTIES**

Temperature Range:	-40°C to +125°C
Thermal Shock:	MIL-STD-202, Meth.107, Cond. B
Vibration:	MIL-STD-202, Meth.204, Cond. D
Shock:	MIL-STD-202, Meth.213, Cond. I
Climatic Class:	IEC 60068 55/155/21
RoHS:	Compliant

**IV. MECHANICAL PROPERTIES**

Center Contact:	Spring Finger
Outer Contact:	Solder
Coupling Nut Torque:	7.1-9.7 in.lbs
Cbl-Connector Retention Force:	10 lbs
Durability:	500 Cycles

RECOMMENDED CABLE STRIPPING DIM'S  
Connector Adds: 10.7 mm

Interface Compatible with Standard:  
IEC 60169-15  
MIL-STD-348

**V. TOOLINGS & ACCESSORIES**

N/A

UNLESS OTHERWISE SPECIFIED		DFTM:	Joshua	 An Amphenol Company							
ALL DIMENSIONS ARE IN mm MACHINED SURFACES FINISH 1.6 RMS MAX. REMOVE ALL BURRS 0.15X45° MAX. BREAK MACHINE CORNERS 0.15X45° D MAX. FILLET R. TOLERANCES ON DECIMALS .X ±0.15 .XX ±0.1 ANGLES ±2° FRACTIONS ± N/A		DATE	2022/08/16								
		CHKD	Monica								
		DATE	2022/08/16								
		APPD	Tony								
SCALE:	N/A	DWG SIZE:	A3	DO NOT SCALE DRAWING	DATE	2022/08/16	SHT	1/1	3190-6878	REV	B

**EZ-PT047-SM-SS**

SMA Male (Plug) Straight Non-Solder Pin  
Stainless Steel Connector for PT-047 Cable