

**Materials**

- 1. C3604 brass, nickel plated
- 2. C3604 brass, nickel plated
- 3. POM, white

**Electrical requirements**

Dielectric strength: 1 min @ 500 Vac and 2mA  
 Insulation resistance: 100 MΩ @ 500 Vdc  
 Contact resistance: 50 mΩ or less

**Mechanical requirements**

Durability: 5000 mating cycles while maintaining normal operation and < 50mΩ  
 Bending strength: ≥ 3.2 kg  
 Breaking strength: ≥ 6.8 kg

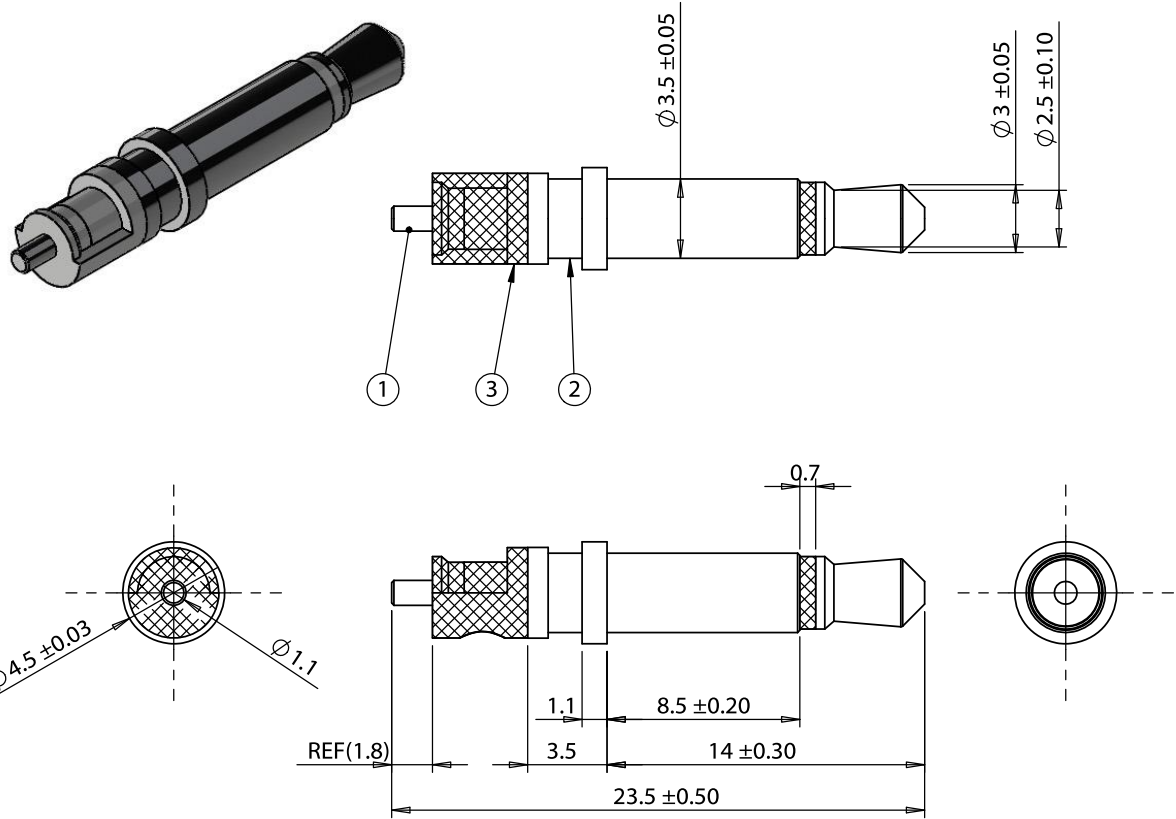
**Environmental tests**

Salt spray test: 5% NaCl spray at 1ml/80cm<sup>2</sup>/h, chamber temp 46.5°C, spray temp 35°C, 87% humidity, 48 hours. No oxidation.

Cold resistance: -25°C±3 for 2 hours with no degradation.  
 Heat resistance: 85°C±3 for 2 hours with no degradation.

**Operating range**

-30 to 85 °C



REVISION	DATE	DESCRIPTION
A	3/6/14	Initial release

PREPARED:  
 JM  
 2014.03.07 09:24:38 -08'00'

VERIFIED:  
**LA**  
Digitally signed by LA  
 DN: cn=LA, ou=Tensility, ou,  
 email=LA0001@tensility.com,  
 c=US  
 Date: 2014.03.07 09:45:41 -0800'

DIMENSIONS ARE IN MILLIMETERS

TOLERANCES:  
 X: ± 0.5 mm  
 X.X: ± 0.3 mm  
 X.XX: ± 0.05 mm

NOTES  
 RoHS compliant  
 Function test: no open, no short circuit, no INT

DESCRIPTION:  
 Connector, mono plug, 3.5xL23.5 mm, brass, nickel plated, white, molding style

**TENSILITY**

20802 Sockeye Place #130  
 Bend, OR 97701 USA  
 tel 541.323.3228 fax 541.323.4202  
 800 877.670.7118 www.tensility.com

SIZE A	PART NUMBER <b>50-00405</b>
SCALE: 5:1	WEIGHT:
SHEET 1 OF 1	