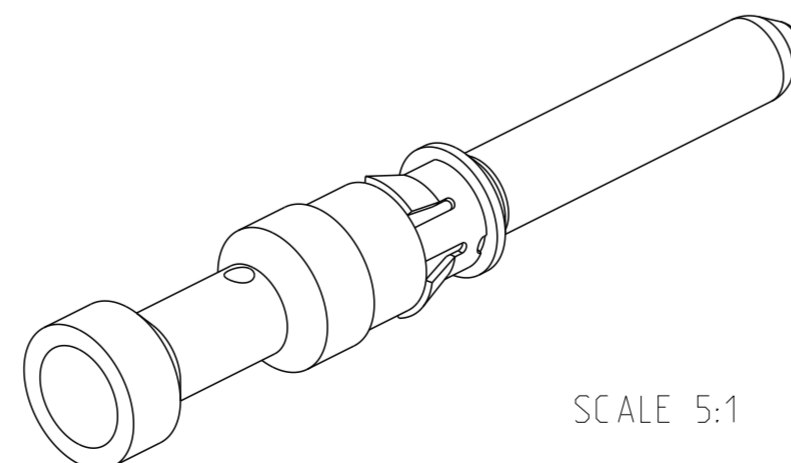
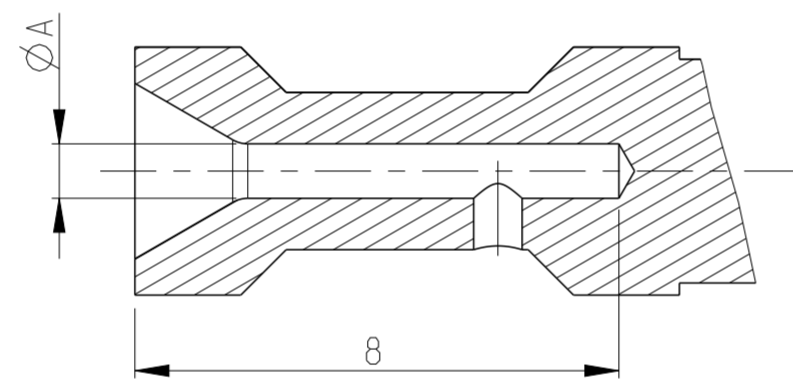
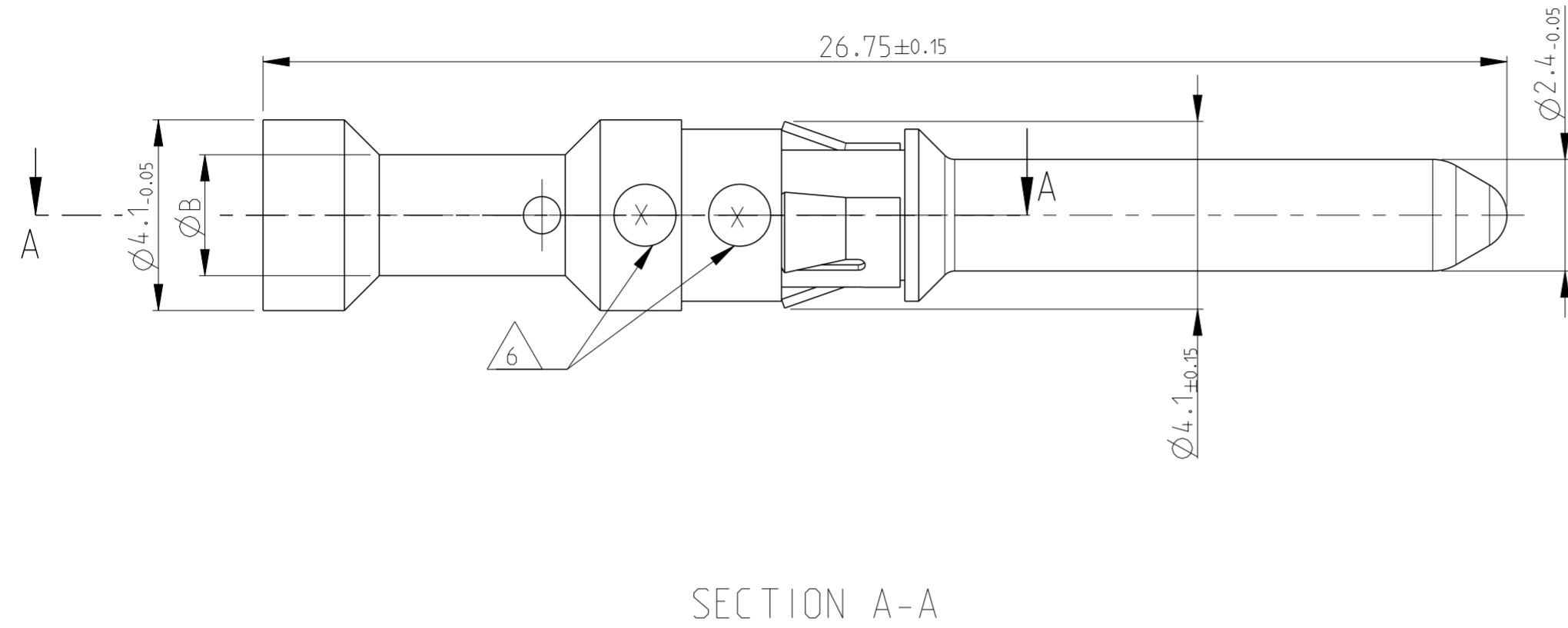


REVISONS			DATE	DWN	APVD
P	LTR	DESCRIPTION			
	H2	REVISED PER ECO-11-005030	24MAR2011	RK	HMR
	H3	ECR-16-016696	14SEP2017	GA	MKO



SCALE 5:1

- NOTES:
- 1 MATERIAL SEE TABLE
  - 2 SURFACE SEE TABLE
  - 3 ASSEMBLY WEIGHT SEE TABLE
  - 4 PACKAGING: 50 PIECES IN POLYBAG
  - 5 PACKAGING: 500 PIECES IN POLYBAG & CARTON
  - 6 CROSS-SECTION MARKING
  - 7 NO VENTILATION HOLE REQUIRED AT CROSS SECTION >4 mm<sup>2</sup>
  - 8 SUITABLE SOCKET CONTACT: PN 1105301
  - 9 SUITABLE INSERTS: SERIES HVT
  - 10 SUITABLE CRIMP TOOL: PN 1-1105851-8
  - 11 SUITABLE INSERTION TOOL: PN 0-1102855-6
  - 12 SUITABLE EXTRACTION TOOL: PN 0-1102855-3
  - 13 STANDARDS: DIN EN 61984, DIN EN 60664-1
  - 14 OBSOLETE

ASSEMBLY WEIGHT IN (Kg) 3														
0.00142	0.00144	0.00148	0.00145	0.00149	0.00150	0.00144	0.00148	0.00133	0.00142	0.00144	0.00148	0.00145	0.00149	0.00150
1														
	1													
		1												
			1											
				1										
					1									
						1								
							1							
								1						
									1					
										1				
											1			
												1		
													1	
														1

4	5-2	4-2	3-2	2-2	1-2	6-2	14-2	9-1	7-2	5-1	4-1	3-1	2-1	1-1	6-1						

ORDERING TEXT	DESCRIPTION	MATERIAL	SURFACE	ØA	ØB	CROSS SECTION MARKING	ITEM NO
			1	2			6

THIS DRAWING IS A CONTROLLED DOCUMENT.

DWN	G. WROBLEWSKI	04 SEP 2007
CHK	T. SCHNURPEITL	04 SEP 2007
APVD	T. SCHNURPEITL	04 SEP 2007
PRODUCT SPEC	108-74035	
APPLICATION SPEC	114-74013	
WEIGHT		

DIMENSIONS: mm  
 TOLERANCES UNLESS OTHERWISE SPECIFIED:  
 0 PLC # # #  
 1 PLC # # #  
 2 PLC # # #  
 3 PLC # # #  
 4 PLC # # #  
 ANGLES # # #  
 FINISH # # #

CUSTOMER DRAWING		SCALE: 5:1	SHEET: 1 OF 1	REV: H3
------------------	--	------------	---------------	---------

**STE** TE Connectivity  
 NAME: CLIP  
 SIZE: A2  
 CAGE CODE: 00779  
 DRAWING NO: C-1105300  
 RESTRICTED TO: -