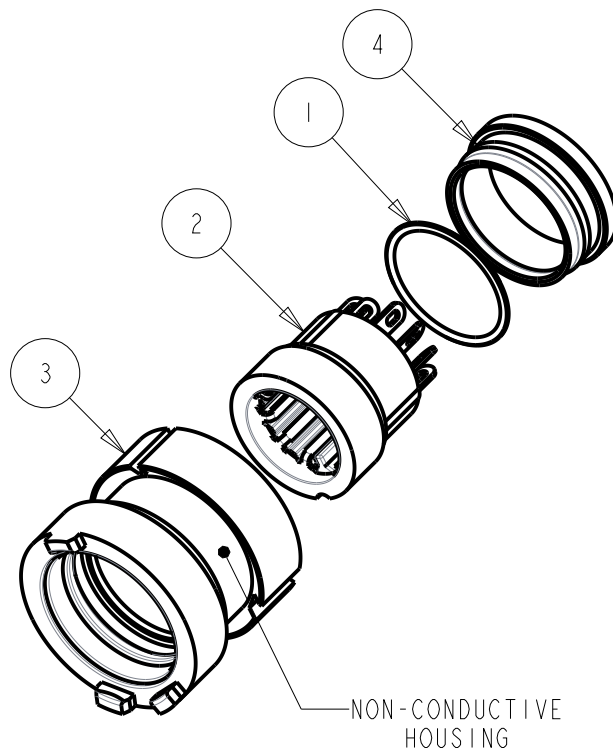
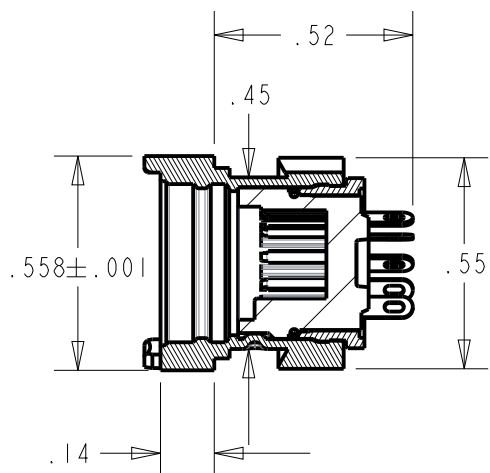
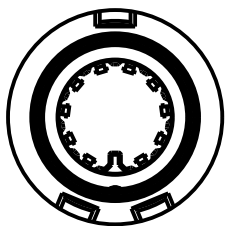


ITEM	PART NO.	QTY	DESCRIPTION
1	AJ-110-32	1	"O" RING, JACK
2	AJ-1100M-2	1	BODY - INSERT, JACK
3	AJ-1100M-14	1	HOUSING, JACK - OM
4	AJ-110PM-1	1	GUIDE

A AJ-1100M



THIS DOCUMENT CONTAINS PROPRIETARY INFORMATION OF NEXUS, INCORPORATED AND SUCH INFORMATION MAY NOT BE DISCLOSED TO OTHERS FOR ANY PURPOSE OR USED FOR ANY PURPOSE WITHOUT THE WRITTEN CONSENT OF NEXUS.

					DWN. BY	DATE 07-Jul-05	MATERIAL	
					CHECKED BY	DATE	FINISH	
					APPR. BY	DATE	WEIGHT ——— SCALE = 2.00 : 1	
C	UPDATE PRINT TO REFLECT TOOL CHANGES	1323	12/14 2020	BAM	UNLESS OTHERWISE SPECIFIED: DIMENSIONS ARE IN INCHES &/OR [mm] TOLERANCES: DECIMAL: .XX[X.X] .XXX[X.XX] ±.01[0.3] ±.003[0.08] FRACTION: X/X ANGLES: .X ±1/64 ±.5		TITLE JACK - OM	NEXUS STAMFORD, CONN
B	REPLACE AJ-1100M WITH AJ-1100X-2		05/07 2012					
LET.	REVISION	CN #	DATE	CHK.	DO NOT SCALE DWG.		A	AJ-1100M

SHEET 1 OF 1