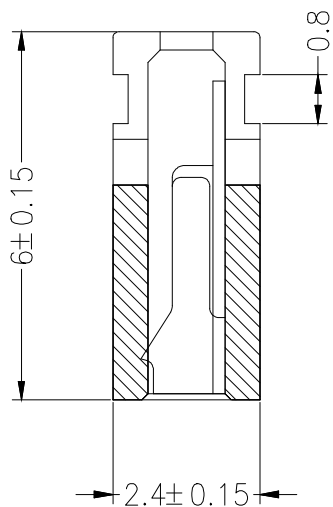


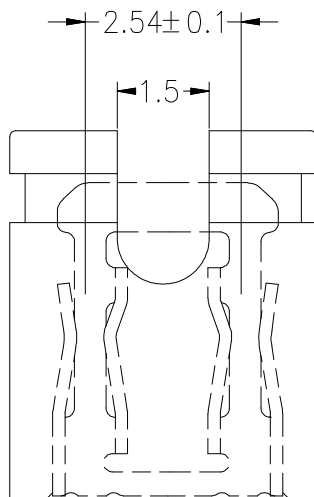
5±0.15



6±0.15

2.4±0.15

0.8



2.54±0.1

1.5

SPECIFICATIONS

Rated Current:3.0AMP

Contact Resistance:20mΩ Max

Withstand Voltage:1000V AC/DC

Insulation Resistance:1000MΩ Min

Operation Temperature:-40°c to +105°c

Contact Material:Brass

Contact Plating:Au Over Ni

Insulator Material:Polyester(UL94V-0)

Standard: PBT

Max.Processing Temp: 180°C for 30-60 seconds
(230°C for 10 seconds)

Ordering Information

XD-JP 254 - 1 - ** - OP - * - **

No.of Rows 1=Single Type	Length (mm) 45=4.5mm 60=6.0mm 65=6.5mm	Type OP=Open CL=Close	Color B=Black L=Blue R=Red W=White Y=Yellow	Contact Plating C0:Gold Flash G1:1u" Gold G2:3u" Gold G3:5u" Gold G4:10u" Gold G5:15u" Gold G6:30u" Gold S0:Gold Flash/Tin S1:Tin
-----------------------------	--	-----------------------------	--	--

			GENERAL TOLERANCE	制图 DRAWING	深圳讯答科技有限公司 ShenzhenXundaTechnology Co.,Ltd			
			DIM TOL	审核 CHECK				
			X.X ±0.30	批准 APPROVAL	产品名称 TITLE	2.54 跳线帽 (开口)	版本 REV.	A
			X.XX ±0.20	比例 SCALE	产品料号 PART NO.	XD-JP254-1-60-OP-L-G1	单位 UNITS	mm
			X.XXX ±0.10	投影 Projection				
序号 No.	变更内容 MODIFY CONTENT	日期 MODIFY DATE	Angle ±3.0°	材料 MATERIAL				页次 SHEET