

# TPS20xxE Current-Limited, Power-Distribution Switches

## 1 Features

- Single power switch family
- Pin-to-pin with existing [TI Switch Portfolio](#)
- Rated currents of 1.5 A and 2 A
- Supports 3.3-V and 5-V power rail
- $\pm 20\%$  accurate, fixed, constant current limit
- Fast overcurrent response: 2  $\mu$ s
- Deglitched fault reporting
- Output discharge
- Reverse current blocking
- Built-in soft start
- Ambient temperature range:  $-40^{\circ}\text{C}$  to  $85^{\circ}\text{C}$

## 2 Applications

- [PC and notebooks](#)
- [Gaming](#)
- [TV](#)
- [Connected peripherals and printers](#)
- [Data center and enterprise computing](#)
- Short-circuit protection

## 3 Description

The TPS20xxE power-distribution switch family is intended for applications, such as USB, where heavy capacitive loads and short circuits are likely to be encountered. This family offers fixed current-limit thresholds for applications requiring 1.5-A or 2-A loading, with options between high or low enable polarization in different packages.

The TPS20xxE family limits the output current to a safe level by operating in a constant-current mode when the output load exceeds the current limit threshold. This provides a predictable fault current under all conditions. The fast overload response time eases the burden on the 2.7-V – 5.5-V supply to provide regulated power when the output is shorted. The power-switch rise and fall times are controlled to minimize current surges during turn-on and turn-off.

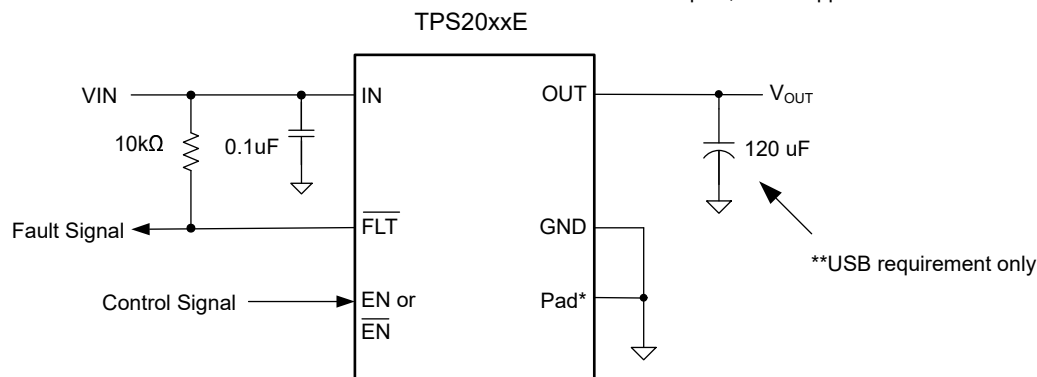
### Device Information

PART NUMBER <sup>(1)</sup>	PACKAGE <sup>(2)</sup>	PACKAGE SIZE <sup>(3)</sup>
TPS20xxE	DBV (SOT-23, 5)	2.90 mm × 1.60 mm
	DGN (HVSSOP, 8) PowerPAD™	3.00 mm × 3.00 mm
	DGK (VSSOP, 8)	3.00 mm × 3.00 mm

(1) See the [Device Comparison Table](#).

(2) For all available packages, see the orderable addendum at the end of the data sheet.

(3) The package size (length × width) is a nominal value and includes pins, where applicable.



\* DGN only

\*\* USB requirement that downstream facing ports are bypassed with at least 120 $\mu$ F per hub

### Typical Application Diagram



## Table of Contents

<b>1 Features</b> .....	1	7.4 Device Functional Modes.....	13
<b>2 Applications</b> .....	1	<b>8 Application and Implementation</b> .....	14
<b>3 Description</b> .....	1	8.1 Application Information.....	14
<b>4 Device Comparison Table</b> .....	3	8.2 Typical Application.....	14
<b>5 Pin Configuration and Functions</b> .....	4	8.3 Power Supply Recommendations.....	17
<b>6 Specifications</b> .....	5	8.4 Layout.....	17
6.1 Absolute Maximum Ratings.....	5	<b>9 Device and Documentation Support</b> .....	19
6.2 ESD Ratings.....	5	9.1 Documentation Support.....	19
6.3 Recommended Operating Conditions.....	5	9.2 Receiving Notification of Documentation Updates....	19
6.4 Thermal Information.....	6	9.3 Support Resources.....	19
6.5 Electrical Characteristics.....	6	9.4 Trademarks.....	19
6.6 Typical Characteristics.....	9	9.5 Electrostatic Discharge Caution.....	19
<b>7 Detailed Description</b> .....	11	9.6 Glossary.....	19
7.1 Overview.....	11	<b>10 Revision History</b> .....	20
7.2 Functional Block Diagram.....	11	<b>11 Mechanical, Packaging, and Orderable Information</b> .....	20
7.3 Feature Description.....	11		

## 4 Device Comparison Table

MAXIMUM OPERATING CURRENT	OUTPUT DISCHARGE	ENABLE	BASE PART NUMBER	PACKAGED DEVICE AND MARKING <sup>(1)</sup>		
				DBV (SOT-23, 5)	DGN (HVSSOP, 8)PowerPAD™	DGK (VSSOP, 8) <sup>(2)</sup>
1.5	Y	Low	TPS2068E	2068E	2068E	-
1.5	Y	High	TPS2069E	2069E	2069E	-
2	Y	Low	TPS2000E	2000E	2000E	000E
2	Y	High	TPS2001E	2001E	2001E	001E

- (1) For the most current packaging and ordering information, see the Package Option Addendum at the end of this document, or see the TI website at [www.ti.com](http://www.ti.com).
- (2) "-" indicates the device is not available in this package.

## 5 Pin Configuration and Functions

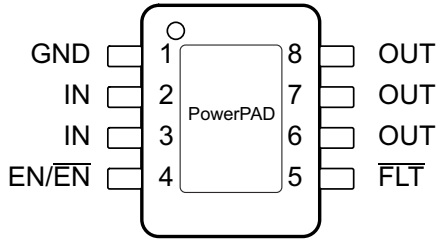


Figure 5-1. DGN Package 8-Pin MSOP-PowerPAD™ Top View

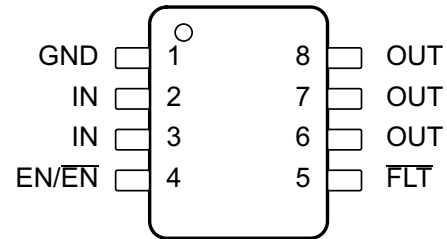


Figure 5-2. DGK Package 8-Pin VSSOP Top View

Table 5-1. Pin Functions - 8 Pins

PIN		I/O	DESCRIPTION
NAME	NO.		
EN/ $\overline{\text{EN}}$	4	I	Enable input, logic high turns on power switch
$\overline{\text{FLT}}$	5	O	Active-low open-drain output, asserted during overcurrent, or overtemperature conditions
GND	1	—	Ground connection
IN	2, 3	PWR	Input voltage and power-switch drain; connect a 0.1- $\mu\text{F}$ or greater ceramic capacitor from IN to GND close to the IC
OUT	6, 7, 8	PWR	Power-switch output, connect to load
PowerPAD (DGN Only)	PowerPAD	—	Connect PAD to GND plane as a heatsink for the best thermal performance. PAD may be left floating if desired.

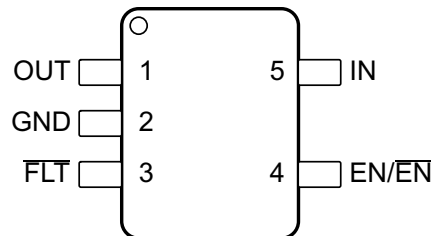


Figure 5-3. DBV Package 5-Pin SOT-23 Top View

Table 5-2. Pin Functions - 5 Pins

PIN		I/O	DESCRIPTION
NAME	NO.		
EN/ $\overline{\text{EN}}$	4	I	Enable input, logic high turns on power switch
$\overline{\text{FLT}}$	3	O	Active-low open-drain output, asserted during overcurrent, or overtemperature conditions
GND	2	—	Ground connection
IN	5	PWR	Input voltage and power-switch drain; connect a 0.1- $\mu\text{F}$ or greater ceramic capacitor from IN to GND close to the IC
OUT	1	PWR	Power-switch output, connect to load.

## 6 Specifications

### 6.1 Absolute Maximum Ratings

over operating free-air temperature range (unless otherwise noted)<sup>(1)</sup>

		MIN	MAX	UNIT
V <sub>IN</sub>	Input voltage	-0.3	6	V
V <sub>OUT</sub>	Output voltage	-0.3	6	V
V <sub>EN</sub>	Input voltage	-0.3	6	V
V <sub>FLT</sub>	Voltage range	-0.3	6	V
I <sub>OUT</sub>	Continuous output current	Internal Limited		
T <sub>J</sub>	Junction temperature	-40	125	°C
T <sub>stg</sub>	Storage temperature	-65	150	°C

- (1) Operation outside the Absolute Maximum Ratings may cause permanent device damage. Absolute Maximum Ratings do not imply functional operation of the device at these or any other conditions beyond those listed under Recommended Operating Conditions. If used outside the Recommended Operating Conditions but within the Absolute Maximum Ratings, the device may not be fully functional, and this may affect device reliability, functionality, performance, and shorten the device lifetime.

### 6.2 ESD Ratings

			VALUE	UNIT
V <sub>(ESD)</sub>	Electrostatic discharge	Human body model (HBM), per ANSI/ESDA/ JEDEC JS-001, all pins <sup>(1)</sup>	±2000	V
		Charged device model (CDM), per JEDEC specification JS-002, all pins <sup>(2)</sup>	±500	
V <sub>(ESD)</sub>	Electrostatic discharge	IEC 61000-4-2 contact discharge, OUT pin <sup>(3)</sup>	±8000	V
V <sub>(ESD)</sub>	Electrostatic discharge	IEC 61000-4-2 air-gap discharge, OUT pin <sup>(3)</sup>	±15000	V

- (1) JEDEC document JEP155 states that 500-V HBM allows safe manufacturing with a standard ESD control process.  
(2) JEDEC document JEP157 states that 250-V CDM allows safe manufacturing with a standard ESD control process.  
(3) VOUT was surged on a PCB with input and output bypassing per the Typical Application Diagram on the first page with no device failures.

### 6.3 Recommended Operating Conditions

over operating free-air temperature range (unless otherwise noted)

		MIN	NOM	MAX	UNIT
V <sub>IN</sub>	Input voltage	2.7		5.5	V
V <sub>EN</sub>	Input voltage, EN or $\overline{EN}$	0		5.5	V
V <sub>IH</sub>	High-level input voltage, EN or $\overline{EN}$	1.8			V
V <sub>IL</sub>	Low-level input voltage, EN or $\overline{EN}$			0.8	V
I <sub>OUT</sub>	Continuous output current - TPS2068E, TPS2069E			1.5	A
I <sub>OUT</sub>	Continuous output current - TPS2000E, TPS2001E			2	A
T <sub>J</sub>	Junction temperature	-40		125	°C
I <sub>FLT</sub>	Sink current into $\overline{FLT}$	0		10	mA

## 6.4 Thermal Information

THERMAL METRIC <sup>(1)</sup>		TPS20xxE			UNIT
		DBV (SOT-23)	DGN (HVSSOP) PowerPAD™	DGK (VSSOP)	
		5 PINS	8 PINS	8 PINS	
R <sub>θJA</sub>	Junction-to-ambient thermal resistance	184.6	51.7	169.6	°C/W
R <sub>θJC(top)</sub>	Junction-to-case (top) thermal resistance	92.6	82.7	65.5	
R <sub>θJB</sub>	Junction-to-board thermal resistance	59.9	25.2	90.5	
Ψ <sub>JT</sub>	Junction-to-top characterization parameter	30.7	6.5	11.8	
Ψ <sub>JB</sub>	Junction-to-board characterization parameter	59.6	25.2	89.0	
R <sub>θJC(bot)</sub>	Junction-to-case (bottom) thermal resistance	-	6.4	-	

(1) For more information about traditional and new thermal metrics, see the [Semiconductor and IC Package Thermal Metrics](#) application report.

## 6.5 Electrical Characteristics

Unless otherwise noted: V<sub>IN</sub> = 5.5 V, V<sub>EN</sub> = V<sub>IN</sub>, I<sub>OUT</sub> = 0 A, -40°C ≤ T<sub>J</sub> ≤ 125°C.

PARAMETER		TEST CONDITIONS	MIN	TYP	MAX	UNIT
<b>POWER SWITCH (TPS2068E, TPS2069E)</b>						
R <sub>DS(ON)</sub> (DBV)	Static drain-source on-state resistance, 5V or 3.3V operation	V <sub>IN</sub> = 5 V or 3.3 V, I <sub>O</sub> = 1.5 A, -40°C ≤ T <sub>J</sub> ≤ 125°C		70	105	mΩ
	Static drain-source on-state resistance, 2.7V operation	V <sub>IN</sub> = 2.7 V, I <sub>O</sub> = 1.5 A, -40°C ≤ T <sub>J</sub> ≤ 125°C		70	110	mΩ
<b>POWER SWITCH (TPS2000E, TPS2001E)</b>						
R <sub>DS(ON)</sub> (DBV)	Static drain-source on-state resistance, 5V or 3.3V operation	V <sub>IN</sub> = 5 V or 3.3 V, I <sub>O</sub> = 2.0 A, -40°C ≤ T <sub>J</sub> ≤ 125°C		70	105	mΩ
	Static drain-source on-state resistance, 2.7V operation	V <sub>IN</sub> = 2.7 V, I <sub>O</sub> = 2.0 A, -40°C ≤ T <sub>J</sub> ≤ 125°C		70	110	mΩ
<b>T<sub>rise</sub> and T<sub>fall</sub></b>						
t <sub>r</sub>	Rise time, output	V <sub>IN</sub> = 5.5 V, C <sub>L</sub> = 1 uF, R <sub>L</sub> = 10 Ω, T <sub>J</sub> = 25°C		0.6	1.5	ms
		V <sub>IN</sub> = 2.7 V, C <sub>L</sub> = 1 uF, R <sub>L</sub> = 10 Ω, T <sub>J</sub> = 25°C		0.4	1	ms
t <sub>f</sub>	Fall time, output	V <sub>IN</sub> = 5.5 V, C <sub>L</sub> = 1 uF, R <sub>L</sub> = 10 Ω, T <sub>J</sub> = 25°C	0.05		0.5	ms
		V <sub>IN</sub> = 2.7 V, C <sub>L</sub> = 1 uF, R <sub>L</sub> = 10 Ω, T <sub>J</sub> = 25°C	0.05		0.5	ms
<b>ENABLE INPUT EN (TPS2068E, TPS2069E and TPS2000E)</b>						
V <sub>IH</sub>	Enable high-level input voltage	2.7 V ≤ V <sub>IN</sub> ≤ 5.5 V	1.8			V
V <sub>IL</sub>	Enable low-level input voltage	2.7 V ≤ V <sub>IN</sub> ≤ 5.5 V			0.8	V
I <sub>EN</sub>	EN pin leakage current	V <sub>EN</sub> =5.5V	-0.5		0.5	uA
<b>ENABLE INPUT EN (TPS2001E)</b>						
V <sub>IH</sub>	Enable high-level input voltage	2.7 V ≤ V <sub>IN</sub> ≤ 5.5 V	1.75			V
V <sub>IH</sub>	Enable high-level input voltage	2.7 V ≤ V <sub>IN</sub> ≤ 5.0 V	1.6			V
V <sub>IH</sub>	Enable high-level input voltage	2.7 V ≤ V <sub>IN</sub> ≤ 3.5 V	1.5			V
V <sub>IL</sub>	Enable low-level input voltage	2.7 V ≤ V <sub>IN</sub> ≤ 5.5 V			0.8	V
I <sub>EN</sub>	EN pin leakage current	V <sub>EN</sub> =5.5V	-0.5		0.5	uA
<b>T<sub>on</sub> and T<sub>off</sub></b>						
t <sub>on</sub>	Turnon time	C <sub>L</sub> = 100 μF, R <sub>L</sub> = 10 Ω			3	ms
t <sub>off</sub>	Turnoff time	C <sub>L</sub> = 100 μF, R <sub>L</sub> = 10 Ω			3	ms

## 6.5 Electrical Characteristics (continued)

Unless otherwise noted:  $V_{IN} = 5.5\text{ V}$ ,  $V_{EN} = V_{IN}$ ,  $I_{OUT} = 0\text{ A}$ ,  $-40^{\circ}\text{C} \leq T_J \leq 125^{\circ}\text{C}$ .

PARAMETER		TEST CONDITIONS	MIN	TYP	MAX	UNIT
<b>DISCHARGE</b>						
$R_{DCHG}$	Discharge resistance	$V_{IN} = V_{OUT} = 5\text{ V}$ , disabled	400	500	810	$\Omega$
<b>CURRENT LIMIT (TPS2068E and TPS2069E)</b>						
$I_{OS}$	Short circuit output current	$V_{IN} = 5\text{ V}$ , OUT connect to GND, device enable into short circuit, $T_J = 25^{\circ}\text{C}$	1.71	2.13	2.55	A
		$V_{IN} = 5\text{ V}$ , OUT connect to GND, device enable into short circuit, $-40^{\circ}\text{C} \leq T_J \leq 125^{\circ}\text{C}$	1.6	2.13	2.66	A
$t_{ios}$	response time to short circuit	$V_{IN} = 5.0\text{ V}$ , $R_L = 50\text{ m}\Omega$ . See <a href="#">Figure 7-5</a> .		1.5		$\mu\text{s}$
<b>CURRENT LIMIT (TPS2000E and TPS2001E)</b>						
$I_{OS}$	Short circuit output current	$V_{IN} = 5\text{ V}$ , OUT connect to GND, device enable into short circuit, $T_J = 25^{\circ}\text{C}$	2.24	2.8	3.36	A
		$V_{IN} = 5\text{ V}$ , OUT connect to GND, device enable into short circuit, $-40^{\circ}\text{C} \leq T_J \leq 125^{\circ}\text{C}$	2.1	2.8	3.5	A
$t_{ios}$	response time to short circuit	$V_{IN} = 5.0\text{ V}$ , $R_L = 50\text{ m}\Omega$ . See <a href="#">Figure 7-5</a> .		1.5		$\mu\text{s}$
<b>SUPPLY CURRENT</b>						
$I_{SD}$	Supply current, switch disable	No load on OUT, $V_{EN} = 0\text{ V}$ , $T_J = 25^{\circ}\text{C}$		0.5	1	$\mu\text{A}$
		No load on OUT, $V_{EN} = 0\text{ V}$ , $-40^{\circ}\text{C} \leq T_J \leq 125^{\circ}\text{C}$		0.5	5	$\mu\text{A}$
$I_{SE}$	Supply current, switch enable	No load on OUT, $V_{EN} = 5.5\text{ V}$ , $T_J = 25^{\circ}\text{C}$		93	118	$\mu\text{A}$
		No load on OUT, $V_{EN} = 5.5\text{ V}$ , $-40^{\circ}\text{C} \leq T_J \leq 125^{\circ}\text{C}$		93	118	$\mu\text{A}$
$I_{LKG}$	Leakage current	OUT connected to ground, $V_{EN} = 0\text{ V}$ , $-40^{\circ}\text{C} \leq T_J \leq 125^{\circ}\text{C}$		1		$\mu\text{A}$
$I_{REV}$	Reverse leakage current	$V_{OUT} = 5.5\text{ V}$ , IN = ground, $T_J = 25^{\circ}\text{C}$		0		$\mu\text{A}$
<b>UNDERVOLTAGE LOCKOUT</b>						
$V_{UVLO}$	undervoltage lockout threshold, IN	$V_{IN}$ rising	2		2.6	V
	Hysteresis, IN	$T_J = 25^{\circ}\text{C}$		75		mV
<b>OVERCURRENT FLAG</b>						
$V_{OL(OC)}$	Output low voltage	$I_{OL(OC)} = 5\text{ mA}$			180	mV
$I_{OFF\_Leakage}$	Off-state leakage	$V_{OC} = 5.5\text{ V}$			1	$\mu\text{A}$
$T_{OC\_DEG}$	/OC Flag deglitch	/OC assertion or de-assertion	6	8	12	ms
<b>THERMAL SHUTDOWN</b>						
$T_{OTSD\_R}$	Thermal shutdown threshold rising threshold		155	175	195	$^{\circ}\text{C}$
	Hysteresis			10		$^{\circ}\text{C}$
<b>THERMAL SHUTDOWN in Current Limit</b>						
$T_{OTSD\_CL\_R}$	Thermal shutdown rising threshold in current limit		135	155	175	$^{\circ}\text{C}$
	Hysteresis			10		$^{\circ}\text{C}$

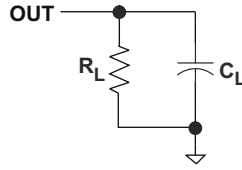


Figure 6-1. Output Rise and Fall Test Load

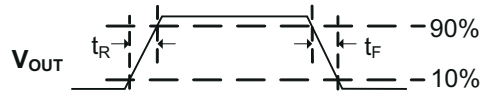


Figure 6-2. Power-On and Power-Off Timing

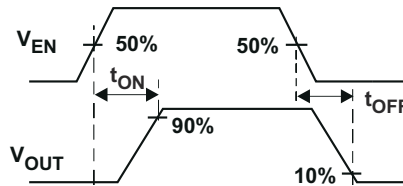


Figure 6-3. Enable Timing, Active High Enable

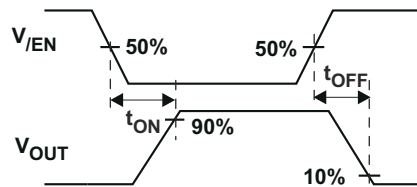


Figure 6-4. Enable Timing, Active Low Enable

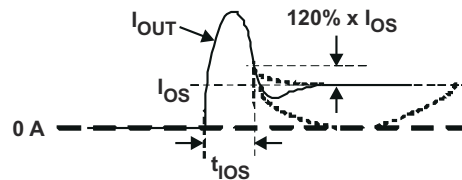


Figure 6-5. Output Short-Circuit Parameters

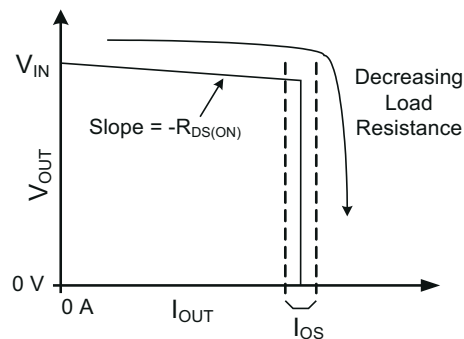


Figure 6-6. Output Characteristic Showing Current Limit



## 6.6 Typical Characteristics

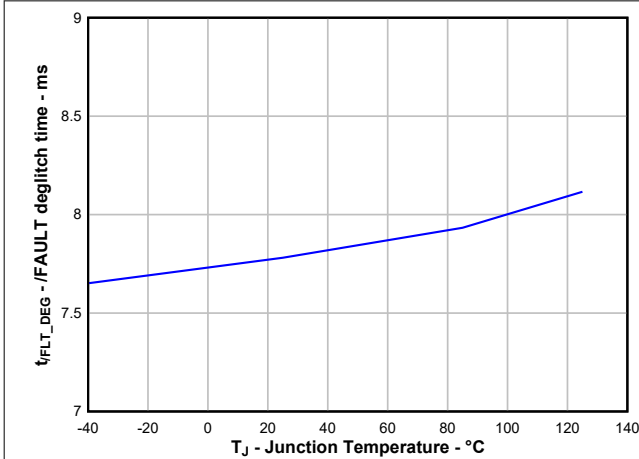


Figure 6-7. Deglitch Period (T<sub>FLT</sub>) vs Temperature

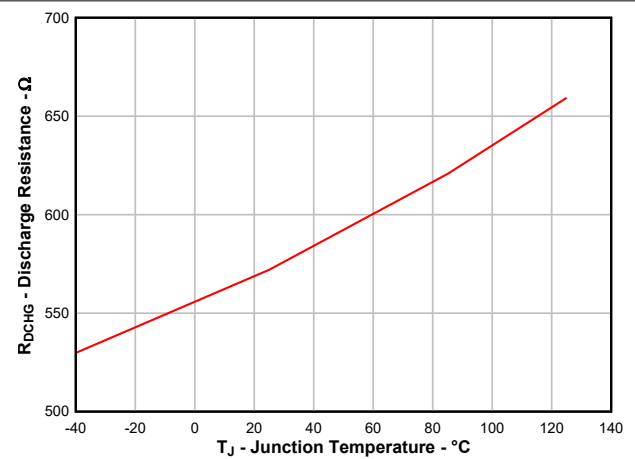


Figure 6-8. Output Discharge Resistance vs Temperature

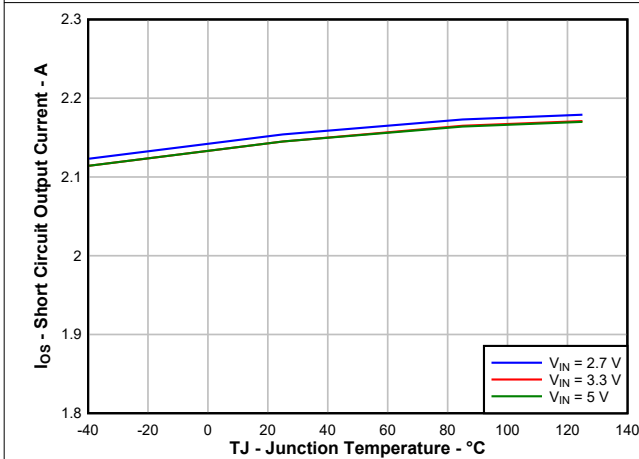


Figure 6-9. TPS2068E, TPS2069E Short Circuit Current (I<sub>OS</sub>) vs Temperature

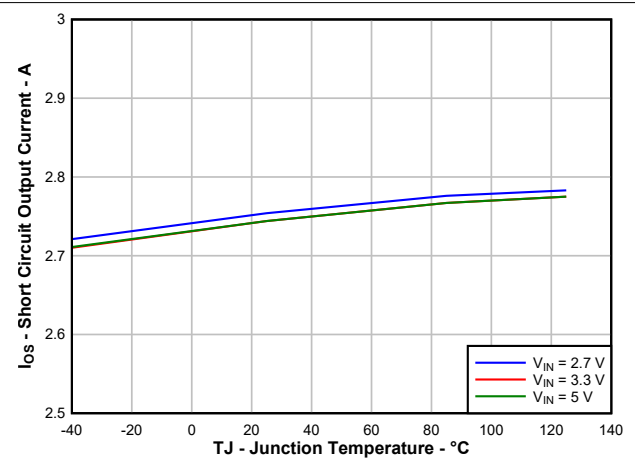


Figure 6-10. TPS2000E, TPS2001E Short Circuit Current (I<sub>OS</sub>) vs Temperature

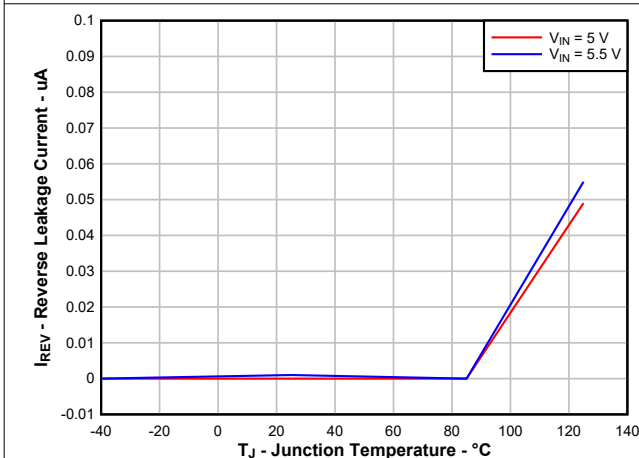


Figure 6-11. Reverse Leakage Current (I<sub>REV</sub>) vs Temperature

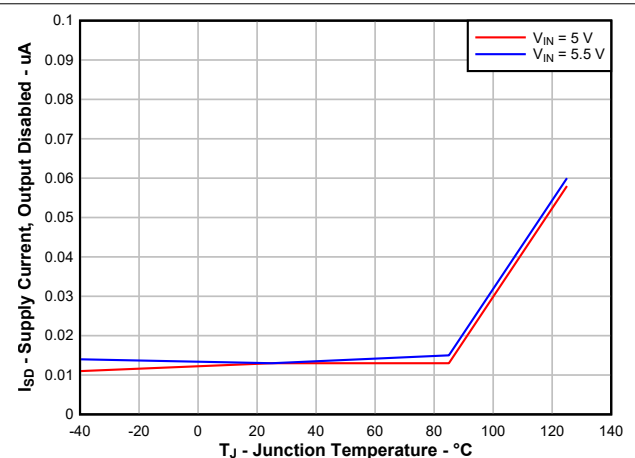


Figure 6-12. Disabled Supply Current (I<sub>SD</sub>) vs Temperature

## 6.6 Typical Characteristics (continued)

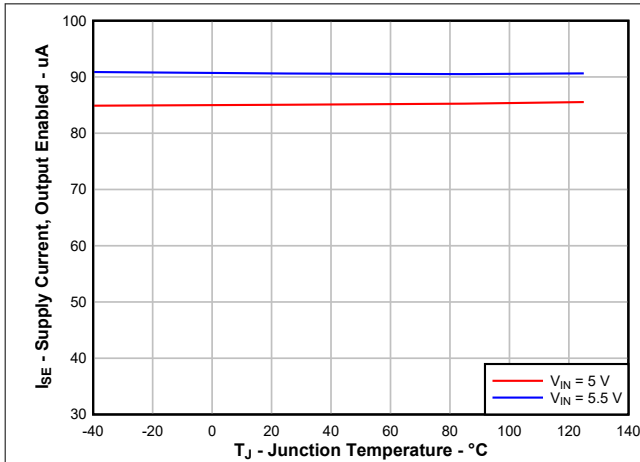


Figure 6-13. Enabled Supply Current (I<sub>SE</sub>) vs Temperature

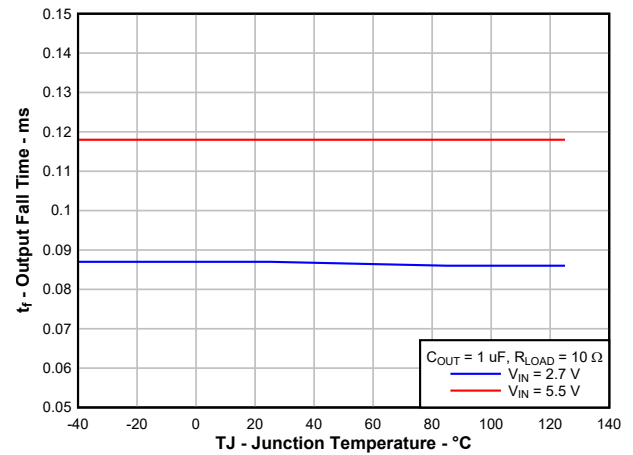


Figure 6-14. Output Fall Time (T<sub>F</sub>) vs Temperature

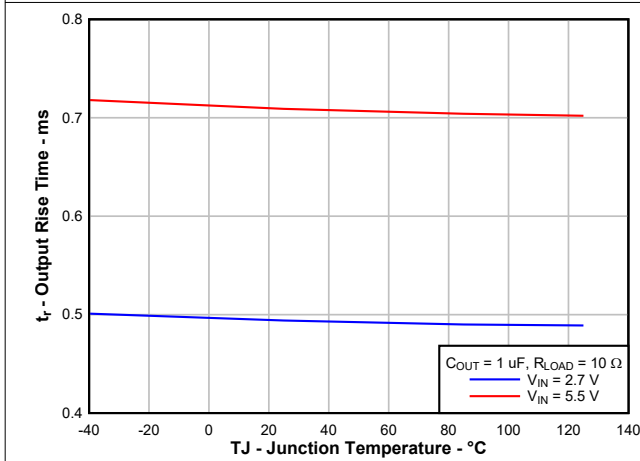


Figure 6-15. Output Rise Time (T<sub>R</sub>) vs Temperature

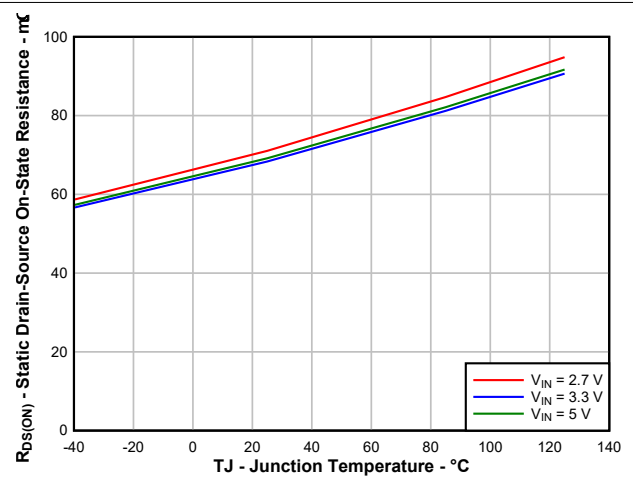


Figure 6-16. Input-Output Resistance (R<sub>DS(ON)</sub>) vs Temperature

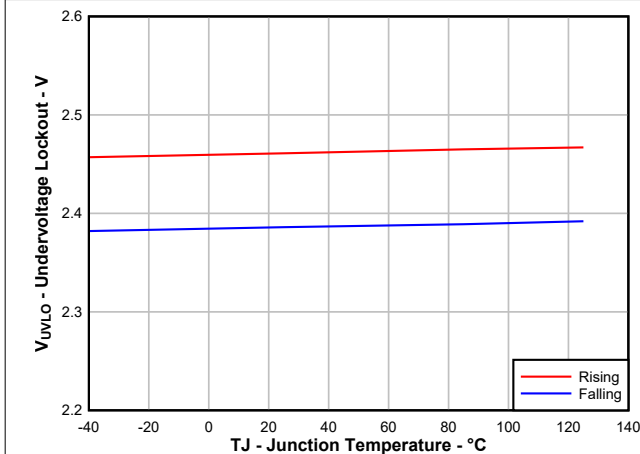


Figure 6-17. Undervoltage Lockout vs Temperature

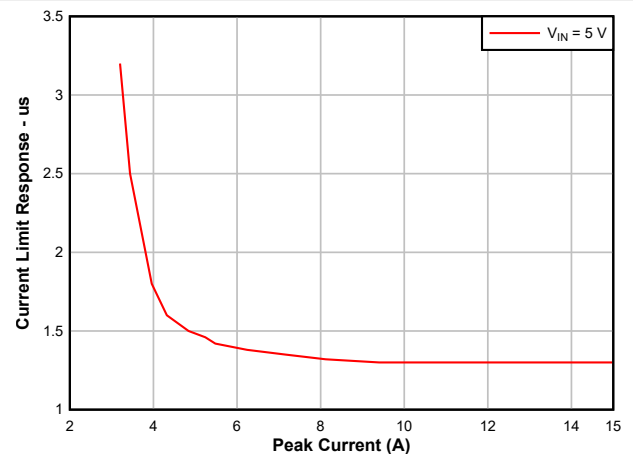


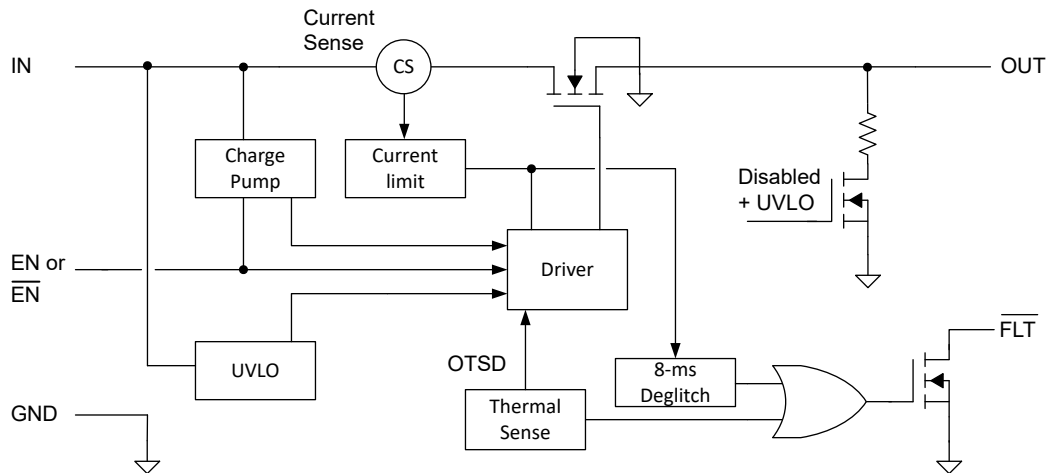
Figure 6-18. Current Limit Response (t<sub>IQS</sub>) vs Peak Current

## 7 Detailed Description

### 7.1 Overview

The TPS20xxE are current-limited, power-distribution switches providing a range from 1.5 A and 2 A of continuous load current in 3.3V and 5V power rail circuits. These parts use N-channel MOSFETs for low resistance, maintaining voltage regulation to the load. They are designed for applications where short circuits or heavy capacitive loads are encountered. Device features include enable, reverse blocking when disabled, output discharge pulldown, overcurrent protection, overtemperature protection, and deglitched fault reporting.

### 7.2 Functional Block Diagram



**Figure 7-1. TPS20xxE Block Diagram**

### 7.3 Feature Description

#### 7.3.1 Undervoltage Lockout

The undervoltage lockout (UVLO) circuit disables the power switch until the input voltage reaches the UVLO turnon threshold. Built-in hysteresis prevents unwanted ON/OFF cycling due to input voltage drop from large current surges.  $\overline{\text{FLT}}$  is high impedance when the TPS20xxE are in UVLO.

#### 7.3.2 Enable

The logic enable input (EN, or  $\overline{\text{EN}}$ ), controls the power switch, bias for the charge pump, driver, and other circuits. The supply current is reduced to less than 1  $\mu\text{A}$  when the TPS20xxE are disabled. Disabling the TPS20xxE immediately clears an active  $\overline{\text{FLT}}$  indication. The enable input is compatible with both TTL and CMOS logic levels.

The turnon and turnoff times ( $t_{\text{ON}}$ ,  $t_{\text{OFF}}$ ) are composed of a delay and a rise or fall time ( $t_{\text{R}}$ ,  $t_{\text{F}}$ ). The delay times are internally controlled. The rise time is controlled by both the TPS20xxE and the external loading (especially capacitance). TPS20xxE fall time is controlled by the loading (R and C), and the output discharge ( $R_{\text{DCHG}}$ ). An output load consisting of only a resistor experiences a fall time set by the TPS20xxE. An output load with parallel R and C elements experiences a fall time determined by the (R  $\times$  C) time constant if it is longer than the  $t_{\text{F}}$  TPS20xxE.

The enable must not be left open, and may be tied to VIN or GND depending on the device.

#### 7.3.3 Internal Charge Pump

The device incorporates an internal charge pump and gate drive circuitry necessary to drive the N-channel MOSFET. The charge pump supplies power to the gate driver circuit and provides the necessary voltage to pull the gate of the MOSFET above the source. The driver incorporates circuitry that controls the rise and fall times of the output voltage to limit large current and voltage surges on the input supply, and provides built-in

soft-start functionality. The MOSFET power switch blocks current from OUT to IN when turned off by the UVLO or disabled.

### 7.3.4 Current Limit

The TPS20xxE responds to overloads by limiting output current to the static  $I_{OS}$  levels shown in Section 6.5. When an overload condition is present, the device maintains a constant output current, with the output voltage determined by  $(I_{OS} \times R_{LOAD})$ . Two possible overload conditions can occur. The first overload condition occurs when either:

1. input voltage is first applied, enable is true, and a short circuit is present (load which draws  $I_{OUT} > I_{OS}$ )
2. input voltage is present and the TPS20xxE are enabled into a short circuit.

The output voltage is held near zero potential with respect to ground and the TPS20xxE ramps the output current to  $I_{OS}$ . The TPS20xxE limits the current to  $I_{OS}$  until the overload condition is removed or the device begins to thermal cycle. This is demonstrated in Figure 8-4 where the device was enabled into a short, and subsequently cycles current OFF and ON as the thermal protection engages.

The second condition is when an overload occurs while the device is enabled and fully turned on. The device responds to the overload condition within  $t_{IOS}$  (Figure 6-5 and Figure 6-6) when the specified overload (see Section 6.5) is applied. The response speed and shape varies with the overload level, input circuit, and rate of application. The current limit response vary between simply settling to  $I_{OS}$ , or turnoff and controlled return to  $I_{OS}$ . Similar to the previous case, the TPS20xxE limits the current to  $I_{OS}$  until the overload condition is removed or the device begins to thermal cycle.

The TPS20xxE thermal cycles if an overload condition is present long enough to activate thermal limiting in any of the above cases. This is due to the relatively large power dissipation  $[(V_{IN} - V_{OUT}) \times I_{OS}]$  driving the junction temperature up. The device turns off when the junction temperature exceeds 135°C (minimum) while in current limit. The device remains off until the junction temperature cools 10°C and then restarts.

There are two kinds of current limit profiles typically available in TI switch products that are similar to the TPS20xxE. Many older designs have an output  $I$  vs  $V$  characteristic similar to the plot labeled *Current Limit with Peaking* in Figure 7-2. This type of limiting can be characterized by two parameters, the current limit corner ( $I_{OC}$ ), and the short circuit current ( $I_{OS}$ ).  $I_{OC}$  is often specified as a maximum value. The TPS20xxE family of parts does not present noticeable peaking in the current limit, corresponding to the characteristic labeled *Flat Current Limit* in Figure 7-2. This is why the  $I_{OC}$  parameter is not present in Section 6.5.

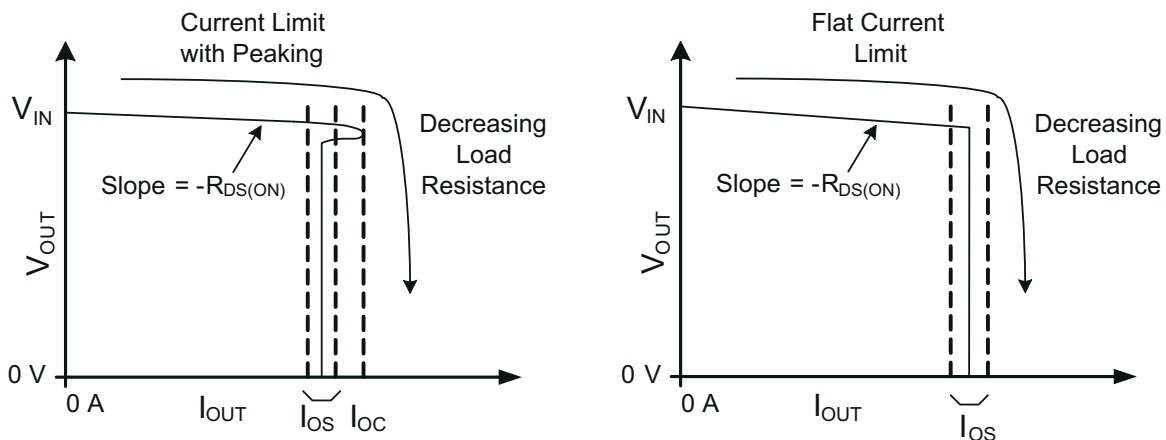


Figure 7-2. Current Limit Profiles

### 7.3.5 $\overline{FLT}$

The  $\overline{FLT}$  open-drain output is asserted (active low) during an overload or overtemperature condition. A 8-ms deglitch on both the rising and falling edges avoids false reporting at start-up and during transients. A current limit condition shorter than the deglitch period clears the internal timer upon termination. The deglitch timer does

not integrate multiple short overloads and declare a fault. This is also true for exiting from a faulted state. An input voltage with excessive ripple and large output capacitance may interfere with operation of  $\overline{\text{FLT}}$  around  $I_{\text{OS}}$  as the ripple drives the TPS20xxE in and out of current limit.

If the TPS20xxE are in current limit and the overtemperature circuit goes active,  $\overline{\text{FLT}}$  goes true immediately; however, the exiting this condition is deglitched.  $\overline{\text{FLT}}$  is tripped just as the knee of the constant-current limiting is entered. Disabling the TPS20xxE clears an active  $\overline{\text{FLT}}$  as soon as the switch turns off.  $\overline{\text{FLT}}$  is high impedance when the TPS20xxE are disabled or in undervoltage lockout (UVLO).

### 7.3.6 Output Discharge

A 500- $\Omega$  (typical) output discharge dissipates stored charge and leakage current on OUT when the TPS20xxE is in UVLO or disabled. The pulldown circuit loses bias gradually as  $V_{\text{IN}}$  decreases, causing a rise in the discharge resistance as  $V_{\text{IN}}$  falls towards 0 V.

## 7.4 Device Functional Modes

### 7.4.1 Shutdown Mode

The logic enable input (EN or  $\overline{\text{EN}}$ ) pin provides electrical ON and OFF control for the TPS20xxE. When  $V_{\text{EN}/\overline{\text{EN}}}$  is below 0.8 V or  $V_{\text{IN}}$  is below 2 V, the device is in shutdown mode in which the power switch is turned off and the supply current is reduced to less than 1  $\mu\text{A}$ . Refer to [Enable](#) and [Undervoltage Lockout](#) sections for the detailed description of the Enable and Undervoltage Lockout functionality.

### 7.4.2 Active Mode

The TPS20xxE enters active mode when  $V_{\text{EN}/\overline{\text{EN}}}$  is above 1.8 V, and the supply voltage on the IN pin is above 2.6 V. At the onset of active mode, the power switch is turned on and the full features are enabled.

## 8 Application and Implementation

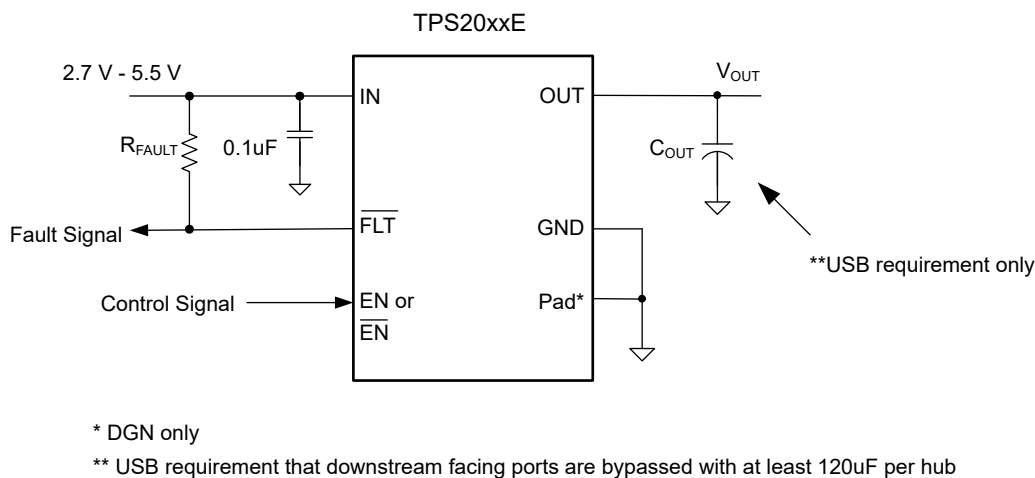
### Note

Information in the following applications sections is not part of the TI component specification, and TI does not warrant its accuracy or completeness. TI's customers are responsible for determining suitability of components for their purposes, as well as validating and testing their design implementation to confirm system functionality.

### 8.1 Application Information

The TPS20xxE current-limited power switch uses N-channel MOSFETs in applications requiring continuous load current. The device enters constant-current mode when the load exceeds the current limit threshold.

### 8.2 Typical Application



**Figure 8-1. Typical Application Schematic**

#### 8.2.1 Design Requirements

For this design example, use the following input parameters:

1. The TPS2001EDBV operates from a 5-V to  $\pm 0.5$ -V input rail.
2. What is the normal operation current, for example, the maximum allowable current drawn by portable equipment for BC1.2 is 1500 mA, so the normal operation current is 1500 mA, and the minimum current limit of power switch must exceed 1500 mA to avoid false trigger during normal operation. For the TPS2001E device, target 2-A continuous output current application.
3. What is the maximum allowable current provided by up-stream power, the maximum current limit of power switch that must lower it to ensure power switch can protect the up-stream power when overload is encountered at the output of power switch. For the TPS2001E device, the maximum  $I_{OS}$  is 3.5 A.

#### 8.2.2 Detailed Design Procedure

To begin the design process a few parameters must be decided upon. The designer must know the following:

1. Normal input operation voltage
2. Output continuous current
3. Maximum up-stream power supply output current

##### 8.2.2.1 Input and Output Capacitance

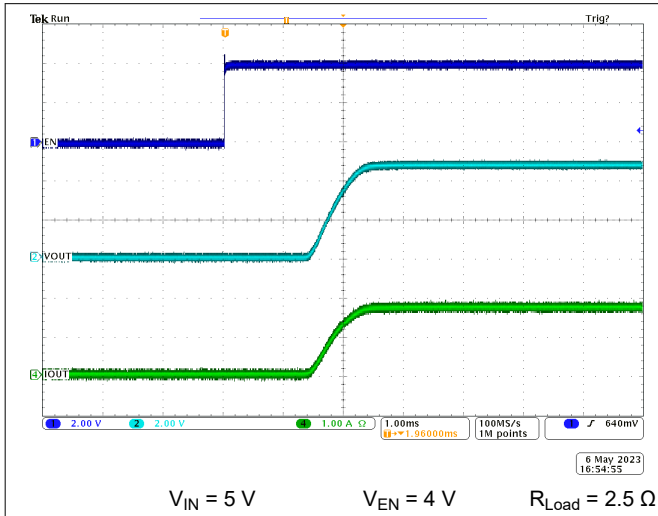
Input and output capacitance improves the performance of the device; the actual capacitance must be optimized for the particular application. For all applications, TI recommends placing a 0.1- $\mu$ F or greater ceramic bypass capacitor between IN and GND, as close to the device as possible for local noise decoupling.

All protection circuits such as the TPS20xxE has the potential for input voltage overshoots and output voltage undershoots.

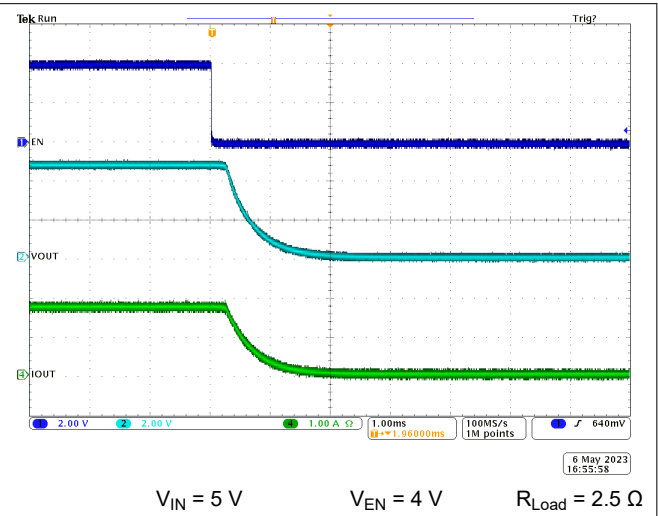
Input voltage overshoots can be caused by either of two effects. The first cause is an abrupt application of input voltage in conjunction with input power bus inductance and input capacitance when the IN terminal is high impedance (before turnon). Theoretically, the peak voltage is 2× the applied. The second cause is due to the abrupt reduction of output short-circuit current when the TPS20xxE turns off and energy stored in the input inductance drives the input voltage high. Input voltage droops may also occur with large load steps and as the TPS20xxE output is shorted. Applications with large input inductance (for example, connecting the evaluation board to the bench power-supply through long cables) may require large input capacitance reduce the voltage overshoot from exceeding the absolute maximum voltage of the device. The fast current limit speed of the TPS20xxE to hard output short circuits isolates the input bus from faults. However, ceramic input capacitance in the range of 1  $\mu\text{F}$  to 22  $\mu\text{F}$  adjacent to the TPS20xxE input aids in both speeding the response time and limiting the transient seen on the input power bus.

Output voltage undershoot is caused by the inductance of the output power bus just after a short has occurred and the TPS20xxE has abruptly reduced OUT current. Energy stored in the inductance drives the OUT voltage down and potentially negative as it discharges. Applications with large output inductance (such as from a cable) benefit from use of a high-value output capacitor to control the voltage undershoot. When implementing USB standard applications, a 120- $\mu\text{F}$  minimum output capacitance is required. Typically a 150- $\mu\text{F}$  electrolytic capacitor is used, which is sufficient to control voltage undershoots. However, if the application does not require 120  $\mu\text{F}$  of capacitance, and there is potential to drive the output negative, then TI recommends a minimum of 10- $\mu\text{F}$  ceramic capacitance on the output. The voltage undershoot must be controlled to less than 1.5 V for 10  $\mu\text{s}$ .

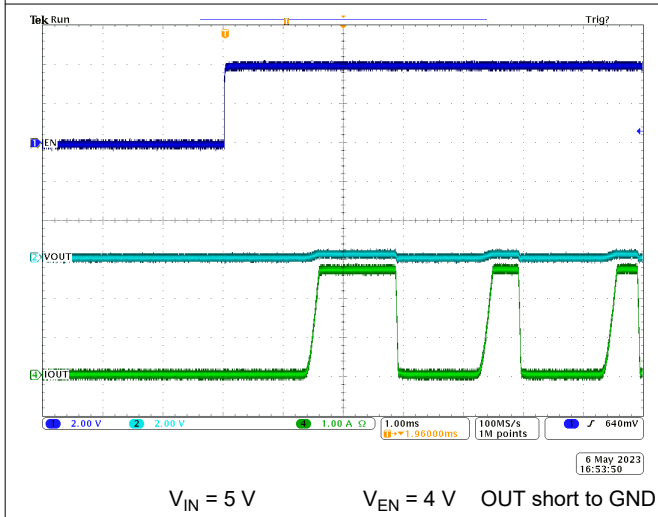
### 8.2.3 Application Curves



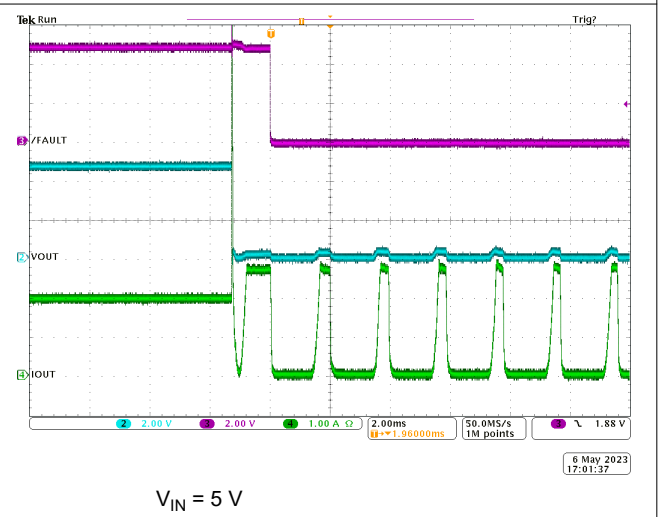
**Figure 8-2. Turnon Delay and Rise Time**



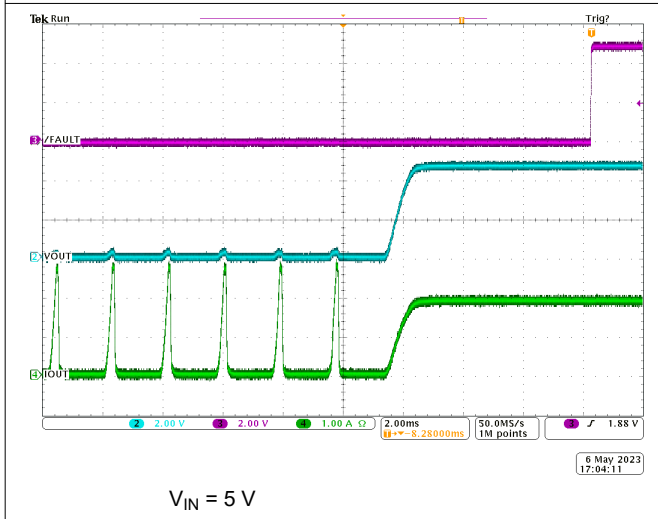
**Figure 8-3. Turnoff Delay and Fall Time**



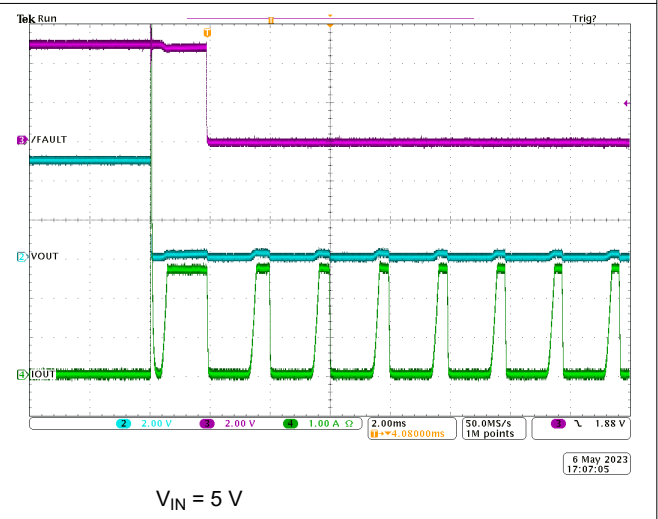
**Figure 8-4. TPS2001E Enable into Output Short**



**Figure 8-5. TPS2001E Full Load to Output Short**

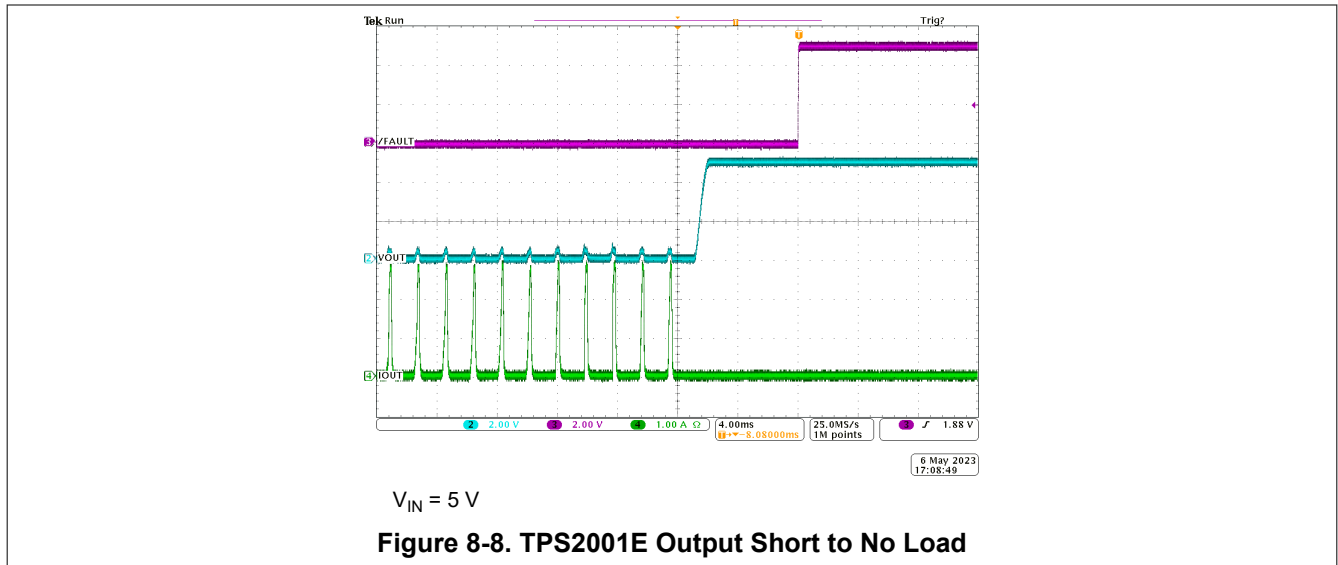


**Figure 8-6. TPS2001E Output Short to Full Load**



**Figure 8-7. TPS2001E No Load to Output Short**





### 8.3 Power Supply Recommendations

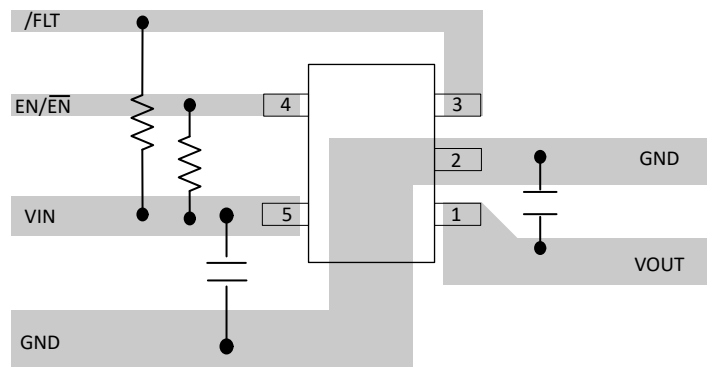
Design of the devices is for operation from an input voltage supply range of 2.7 V to 5.5 V. The current capability of the power supply should exceed the maximum current limit of the power switch.

### 8.4 Layout

#### 8.4.1 Layout Guidelines

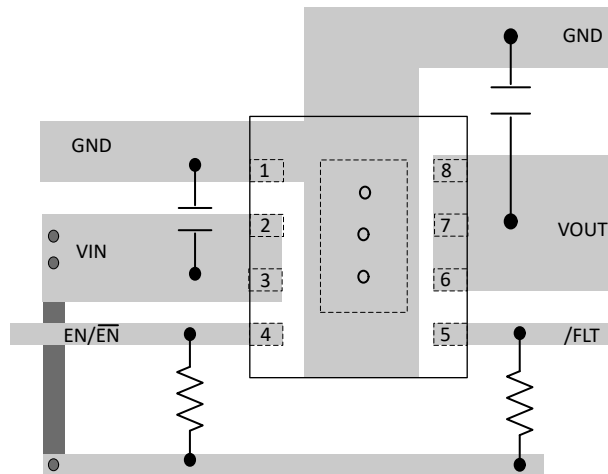
1. Place the 100-nF bypass capacitor near the IN and GND pins, and make the connections using a low inductance trace.
2. Place at least 10- $\mu$ F low ESR ceramic capacitor near the OUT and GND pins, and make the connections using a low inductance trace.
3. The PowerPAD must be directly connected to PCB ground plane using wide and short copper trace.

#### 8.4.2 Layout Example



**Figure 8-9. Recommended Layout - DBV**

- Via to Bottom Layer Signal Ground Plane
- Via to Bottom Layer Signal



**Figure 8-10. Recommended Layout - DGN and DGK**

## 9 Device and Documentation Support

### 9.1 Documentation Support

### 9.2 Receiving Notification of Documentation Updates

To receive notification of documentation updates, navigate to the device product folder on [ti.com](https://www.ti.com). Click on *Notifications* to register and receive a weekly digest of any product information that has changed. For change details, review the revision history included in any revised document.

### 9.3 Support Resources

[TI E2E™ support forums](#) are an engineer's go-to source for fast, verified answers and design help — straight from the experts. Search existing answers or ask your own question to get the quick design help you need.

Linked content is provided "AS IS" by the respective contributors. They do not constitute TI specifications and do not necessarily reflect TI's views; see TI's [Terms of Use](#).

### 9.4 Trademarks

PowerPAD™ and TI E2E™ are trademarks of Texas Instruments.  
All trademarks are the property of their respective owners.

### 9.5 Electrostatic Discharge Caution



This integrated circuit can be damaged by ESD. Texas Instruments recommends that all integrated circuits be handled with appropriate precautions. Failure to observe proper handling and installation procedures can cause damage.

ESD damage can range from subtle performance degradation to complete device failure. Precision integrated circuits may be more susceptible to damage because very small parametric changes could cause the device not to meet its published specifications.

### 9.6 Glossary

[TI Glossary](#) This glossary lists and explains terms, acronyms, and definitions.

## 10 Revision History

NOTE: Page numbers for previous revisions may differ from page numbers in the current version.

<b>Changes from Revision A (July 2023) to Revision B (October 2023)</b>	<b>Page</b>
• Added thermal information for DGN and DGK packages.....	6
• Updated enable high-level input voltage for TPS2001E.....	6

<b>Changes from Revision * (May 2023) to Revision A (July 2023)</b>	<b>Page</b>
• Changed the device status from Advance Information to Production Data.....	1

## 11 Mechanical, Packaging, and Orderable Information

The following pages include mechanical, packaging, and orderable information. This information is the most current data available for the designated devices. This data is subject to change without notice and revision of this document. For browser-based versions of this data sheet, refer to the left-hand navigation.

**PACKAGING INFORMATION**

Orderable Device	Status (1)	Package Type	Package Drawing	Pins	Package Qty	Eco Plan (2)	Lead finish/ Ball material (6)	MSL Peak Temp (3)	Op Temp (°C)	Device Marking (4/5)	Samples
PTPS2001EDBVR	ACTIVE	SOT-23	DBV	5	3000	TBD	Call TI	Call TI	-40 to 125		<a href="#">Samples</a>
PTPS2068EDBVR	ACTIVE	SOT-23	DBV	5	3000	TBD	Call TI	Call TI	-40 to 125		<a href="#">Samples</a>
PTPS2069EDBVR	ACTIVE	SOT-23	DBV	5	3000	TBD	Call TI	Call TI	-40 to 125		<a href="#">Samples</a>
TPS2000EDBVR	ACTIVE	SOT-23	DBV	5	3000	RoHS & Green	Call TI	Level-1-260C-UNLIM	-40 to 125	2000E	<a href="#">Samples</a>
TPS2000EDGKR	ACTIVE	VSSOP	DGK	8	2500	RoHS & Green	NIPDAU	Level-1-260C-UNLIM	-40 to 125	000E	<a href="#">Samples</a>
TPS2000EDGNR	ACTIVE	HVSSOP	DGN	8	2500	RoHS & Green	NIPDAU	Level-1-260C-UNLIM	-40 to 125	2000E	<a href="#">Samples</a>
TPS2001EDBVR	ACTIVE	SOT-23	DBV	5	3000	RoHS & Green	Call TI   NIPDAU	Level-1-260C-UNLIM	-40 to 125	2001E	<a href="#">Samples</a>
TPS2001EDGKR	ACTIVE	VSSOP	DGK	8	2500	RoHS & Green	NIPDAU   SN	Level-1-260C-UNLIM	-40 to 125	001E	<a href="#">Samples</a>
TPS2001EDGNR	ACTIVE	HVSSOP	DGN	8	2500	RoHS & Green	NIPDAU	Level-1-260C-UNLIM	-40 to 125	2001E	<a href="#">Samples</a>
TPS2068EDBVR	ACTIVE	SOT-23	DBV	5	3000	RoHS & Green	Call TI	Level-1-260C-UNLIM	-40 to 125	2068E	<a href="#">Samples</a>
TPS2068EDGNR	ACTIVE	HVSSOP	DGN	8	2500	RoHS & Green	NIPDAU	Level-1-260C-UNLIM	-40 to 125	2068E	<a href="#">Samples</a>
TPS2069EDBVR	ACTIVE	SOT-23	DBV	5	3000	RoHS & Green	Call TI   NIPDAU	Level-1-260C-UNLIM	-40 to 125	2069E	<a href="#">Samples</a>
TPS2069EDGNR	ACTIVE	HVSSOP	DGN	8	2500	RoHS & Green	NIPDAU	Level-1-260C-UNLIM	-40 to 125	2069E	<a href="#">Samples</a>

(1) The marketing status values are defined as follows:

**ACTIVE:** Product device recommended for new designs.

**LIFEBUY:** TI has announced that the device will be discontinued, and a lifetime-buy period is in effect.

**NRND:** Not recommended for new designs. Device is in production to support existing customers, but TI does not recommend using this part in a new design.

**PREVIEW:** Device has been announced but is not in production. Samples may or may not be available.

**OBSELETE:** TI has discontinued the production of the device.

(2) **RoHS:** TI defines "RoHS" to mean semiconductor products that are compliant with the current EU RoHS requirements for all 10 RoHS substances, including the requirement that RoHS substance do not exceed 0.1% by weight in homogeneous materials. Where designed to be soldered at high temperatures, "RoHS" products are suitable for use in specified lead-free processes. TI may reference these types of products as "Pb-Free".

**RoHS Exempt:** TI defines "RoHS Exempt" to mean products that contain lead but are compliant with EU RoHS pursuant to a specific EU RoHS exemption.

**Green:** TI defines "Green" to mean the content of Chlorine (Cl) and Bromine (Br) based flame retardants meet JS709B low halogen requirements of <=1000ppm threshold. Antimony trioxide based flame retardants must also meet the <=1000ppm threshold requirement.

- (3) MSL, Peak Temp. - The Moisture Sensitivity Level rating according to the JEDEC industry standard classifications, and peak solder temperature.
- (4) There may be additional marking, which relates to the logo, the lot trace code information, or the environmental category on the device.
- (5) Multiple Device Markings will be inside parentheses. Only one Device Marking contained in parentheses and separated by a "~" will appear on a device. If a line is indented then it is a continuation of the previous line and the two combined represent the entire Device Marking for that device.
- (6) Lead finish/Ball material - Orderable Devices may have multiple material finish options. Finish options are separated by a vertical ruled line. Lead finish/Ball material values may wrap to two lines if the finish value exceeds the maximum column width.

**Important Information and Disclaimer:**The information provided on this page represents TI's knowledge and belief as of the date that it is provided. TI bases its knowledge and belief on information provided by third parties, and makes no representation or warranty as to the accuracy of such information. Efforts are underway to better integrate information from third parties. TI has taken and continues to take reasonable steps to provide representative and accurate information but may not have conducted destructive testing or chemical analysis on incoming materials and chemicals. TI and TI suppliers consider certain information to be proprietary, and thus CAS numbers and other limited information may not be available for release.

In no event shall TI's liability arising out of such information exceed the total purchase price of the TI part(s) at issue in this document sold by TI to Customer on an annual basis.

**TAPE AND REEL INFORMATION**

**QUADRANT ASSIGNMENTS FOR PIN 1 ORIENTATION IN TAPE**


\*All dimensions are nominal

Device	Package Type	Package Drawing	Pins	SPQ	Reel Diameter (mm)	Reel Width W1 (mm)	A0 (mm)	B0 (mm)	K0 (mm)	P1 (mm)	W (mm)	Pin1 Quadrant
TPS2000EDBVR	SOT-23	DBV	5	3000	180.0	8.4	3.2	3.2	1.4	4.0	8.0	Q3
TPS2000EDGKR	VSSOP	DGK	8	2500	330.0	12.4	5.3	3.4	1.4	8.0	12.0	Q1
TPS2000EDGNR	HVSSOP	DGN	8	2500	330.0	12.4	5.3	3.4	1.4	8.0	12.0	Q1
TPS2001EDBVR	SOT-23	DBV	5	3000	180.0	8.4	3.2	3.2	1.4	4.0	8.0	Q3
TPS2001EDBVR	SOT-23	DBV	5	3000	180.0	8.4	3.2	3.2	1.4	4.0	8.0	Q3
TPS2001EDGKR	VSSOP	DGK	8	2500	330.0	12.4	5.3	3.4	1.4	8.0	12.0	Q1
TPS2001EDGKR	VSSOP	DGK	8	2500	330.0	12.4	5.3	3.4	1.4	8.0	12.0	Q1
TPS2001EDGNR	HVSSOP	DGN	8	2500	330.0	12.4	5.3	3.4	1.4	8.0	12.0	Q1
TPS2068EDBVR	SOT-23	DBV	5	3000	180.0	8.4	3.2	3.2	1.4	4.0	8.0	Q3
TPS2068EDGNR	HVSSOP	DGN	8	2500	330.0	12.4	5.3	3.4	1.4	8.0	12.0	Q1
TPS2069EDBVR	SOT-23	DBV	5	3000	180.0	8.4	3.2	3.2	1.4	4.0	8.0	Q3
TPS2069EDBVR	SOT-23	DBV	5	3000	180.0	8.4	3.2	3.2	1.4	4.0	8.0	Q3
TPS2069EDGNR	HVSSOP	DGN	8	2500	330.0	12.4	5.3	3.4	1.4	8.0	12.0	Q1

**TAPE AND REEL BOX DIMENSIONS**


\*All dimensions are nominal

Device	Package Type	Package Drawing	Pins	SPQ	Length (mm)	Width (mm)	Height (mm)
TPS2000EDBVR	SOT-23	DBV	5	3000	210.0	185.0	35.0
TPS2000EDGKR	VSSOP	DGK	8	2500	356.0	356.0	35.0
TPS2000EDGNR	HVSSOP	DGN	8	2500	356.0	356.0	35.0
TPS2001EDBVR	SOT-23	DBV	5	3000	210.0	185.0	35.0
TPS2001EDBVR	SOT-23	DBV	5	3000	210.0	185.0	35.0
TPS2001EDGKR	VSSOP	DGK	8	2500	366.0	364.0	50.0
TPS2001EDGKR	VSSOP	DGK	8	2500	356.0	356.0	35.0
TPS2001EDGNR	HVSSOP	DGN	8	2500	356.0	356.0	35.0
TPS2068EDBVR	SOT-23	DBV	5	3000	210.0	185.0	35.0
TPS2068EDGNR	HVSSOP	DGN	8	2500	356.0	356.0	35.0
TPS2069EDBVR	SOT-23	DBV	5	3000	210.0	185.0	35.0
TPS2069EDBVR	SOT-23	DBV	5	3000	210.0	185.0	35.0
TPS2069EDGNR	HVSSOP	DGN	8	2500	356.0	356.0	35.0



## GENERIC PACKAGE VIEW

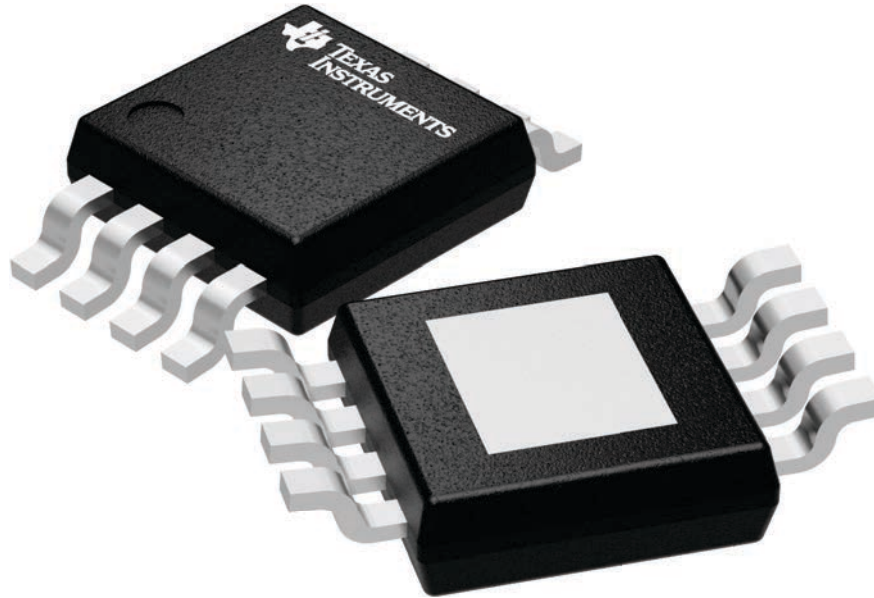
**DGN 8**

**PowerPAD VSSOP - 1.1 mm max height**

3 x 3, 0.65 mm pitch

SMALL OUTLINE PACKAGE

This image is a representation of the package family, actual package may vary.  
Refer to the product data sheet for package details.



4225482/A

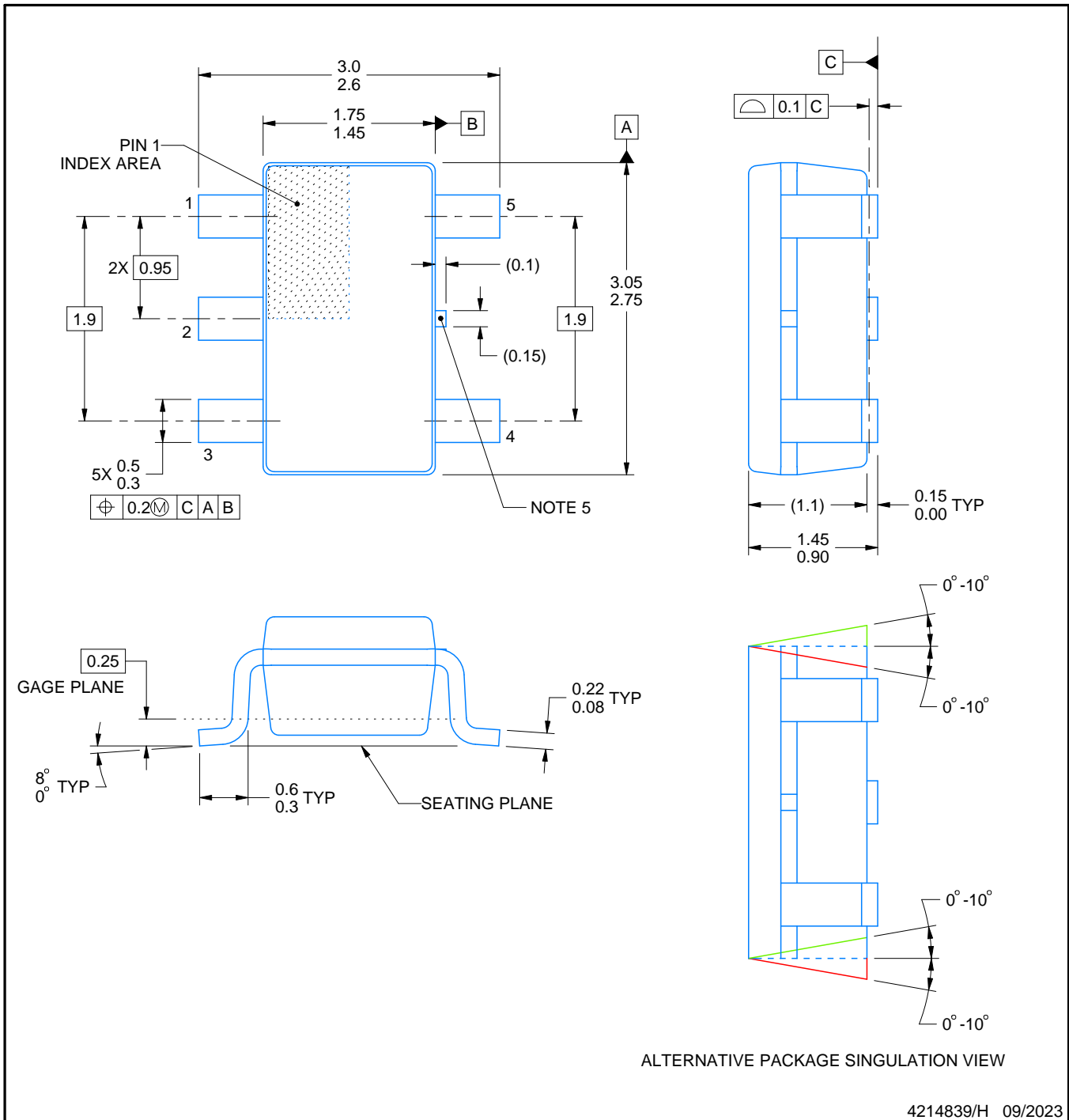
# DBV0005A



## PACKAGE OUTLINE

SOT-23 - 1.45 mm max height

SMALL OUTLINE TRANSISTOR



4214839/H 09/2023

### NOTES:

- All linear dimensions are in millimeters. Any dimensions in parenthesis are for reference only. Dimensioning and tolerancing per ASME Y14.5M.
- This drawing is subject to change without notice.
- Reference JEDEC MO-178.
- Body dimensions do not include mold flash, protrusions, or gate burrs. Mold flash, protrusions, or gate burrs shall not exceed 0.25 mm per side.
- Support pin may differ or may not be present.

# EXAMPLE BOARD LAYOUT

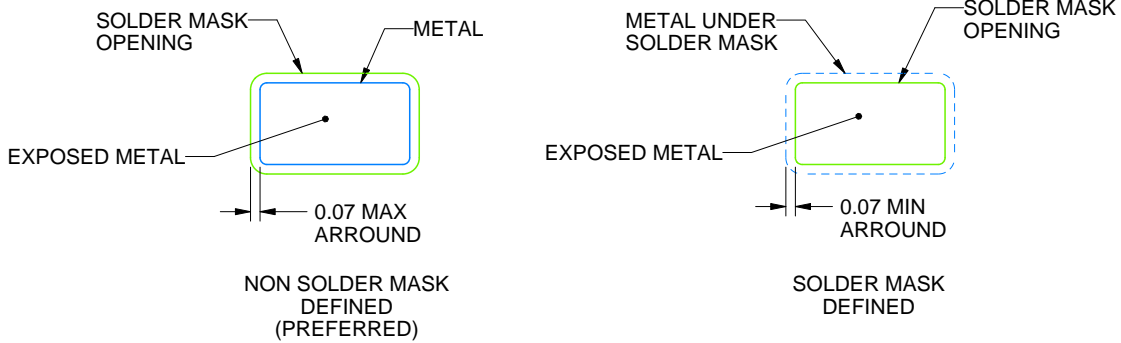
DBV0005A

SOT-23 - 1.45 mm max height

SMALL OUTLINE TRANSISTOR



LAND PATTERN EXAMPLE  
EXPOSED METAL SHOWN  
SCALE:15X



SOLDER MASK DETAILS

4214839/H 09/2023

NOTES: (continued)

- 6. Publication IPC-7351 may have alternate designs.
- 7. Solder mask tolerances between and around signal pads can vary based on board fabrication site.

# EXAMPLE STENCIL DESIGN

DBV0005A

SOT-23 - 1.45 mm max height

SMALL OUTLINE TRANSISTOR



SOLDER PASTE EXAMPLE  
BASED ON 0.125 mm THICK STENCIL  
SCALE:15X

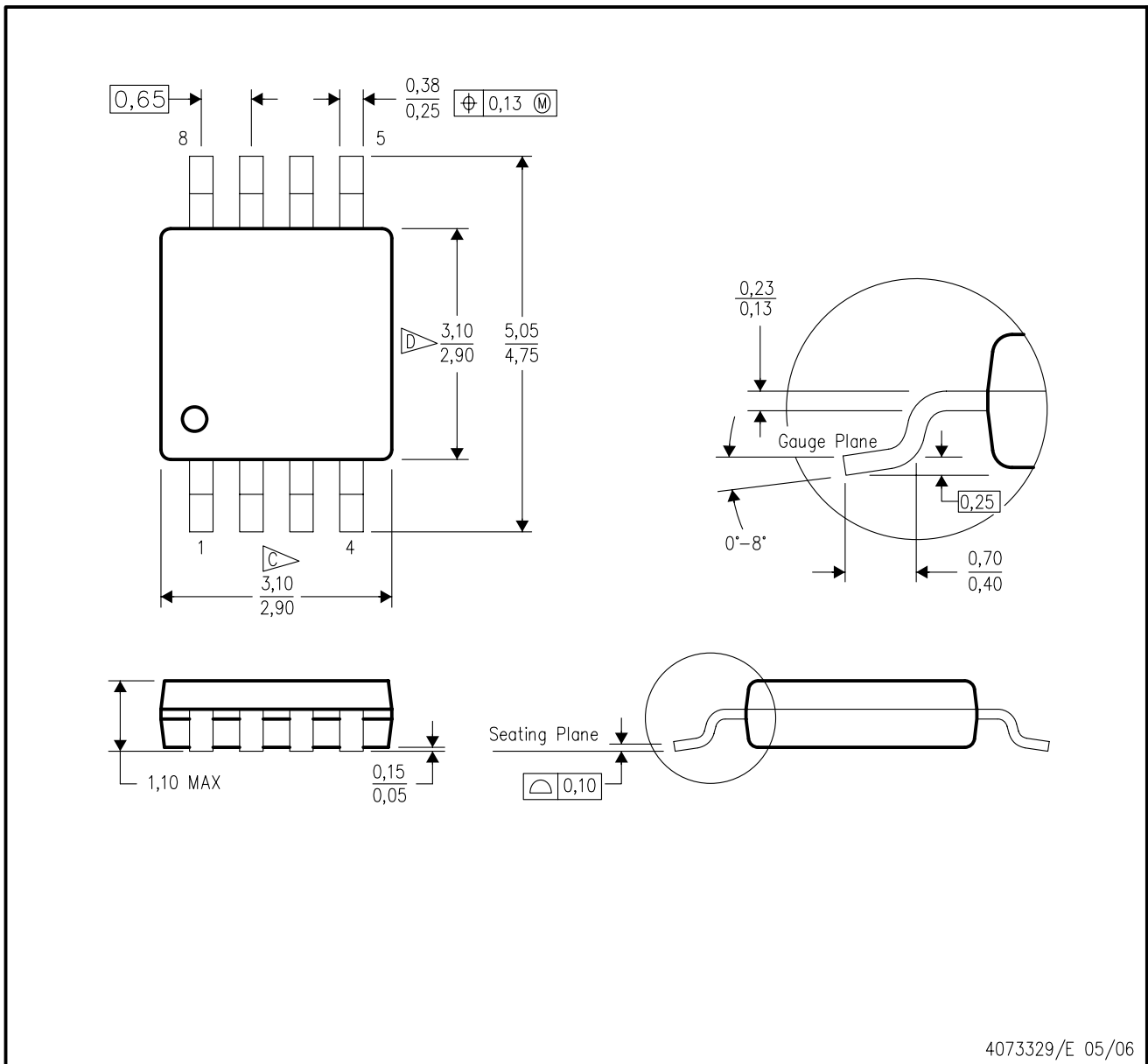
4214839/H 09/2023

NOTES: (continued)

8. Laser cutting apertures with trapezoidal walls and rounded corners may offer better paste release. IPC-7525 may have alternate design recommendations.
9. Board assembly site may have different recommendations for stencil design.

DGK (S-PDSO-G8)

PLASTIC SMALL-OUTLINE PACKAGE



4073329/E 05/06

- NOTES:
- A. All linear dimensions are in millimeters.
  - B. This drawing is subject to change without notice.
  - C. Body length does not include mold flash, protrusions, or gate burrs. Mold flash, protrusions, or gate burrs shall not exceed 0.15 per end.
  - D. Body width does not include interlead flash. Interlead flash shall not exceed 0.50 per side.
  - E. Falls within JEDEC MO-187 variation AA, except interlead flash.



- NOTES:
- A. All linear dimensions are in millimeters.
  - B. This drawing is subject to change without notice.
  - C. Publication IPC-7351 is recommended for alternate designs.
  - D. Laser cutting apertures with trapezoidal walls and also rounding corners will offer better paste release. Customers should contact their board assembly site for stencil design recommendations. Refer to IPC-7525 for other stencil recommendations.
  - E. Customers should contact their board fabrication site for solder mask tolerances between and around signal pads.

## IMPORTANT NOTICE AND DISCLAIMER

TI PROVIDES TECHNICAL AND RELIABILITY DATA (INCLUDING DATA SHEETS), DESIGN RESOURCES (INCLUDING REFERENCE DESIGNS), APPLICATION OR OTHER DESIGN ADVICE, WEB TOOLS, SAFETY INFORMATION, AND OTHER RESOURCES "AS IS" AND WITH ALL FAULTS, AND DISCLAIMS ALL WARRANTIES, EXPRESS AND IMPLIED, INCLUDING WITHOUT LIMITATION ANY IMPLIED WARRANTIES OF MERCHANTABILITY, FITNESS FOR A PARTICULAR PURPOSE OR NON-INFRINGEMENT OF THIRD PARTY INTELLECTUAL PROPERTY RIGHTS.

These resources are intended for skilled developers designing with TI products. You are solely responsible for (1) selecting the appropriate TI products for your application, (2) designing, validating and testing your application, and (3) ensuring your application meets applicable standards, and any other safety, security, regulatory or other requirements.

These resources are subject to change without notice. TI grants you permission to use these resources only for development of an application that uses the TI products described in the resource. Other reproduction and display of these resources is prohibited. No license is granted to any other TI intellectual property right or to any third party intellectual property right. TI disclaims responsibility for, and you will fully indemnify TI and its representatives against, any claims, damages, costs, losses, and liabilities arising out of your use of these resources.

TI's products are provided subject to [TI's Terms of Sale](#) or other applicable terms available either on [ti.com](https://www.ti.com) or provided in conjunction with such TI products. TI's provision of these resources does not expand or otherwise alter TI's applicable warranties or warranty disclaimers for TI products.

TI objects to and rejects any additional or different terms you may have proposed.

Mailing Address: Texas Instruments, Post Office Box 655303, Dallas, Texas 75265  
Copyright © 2023, Texas Instruments Incorporated