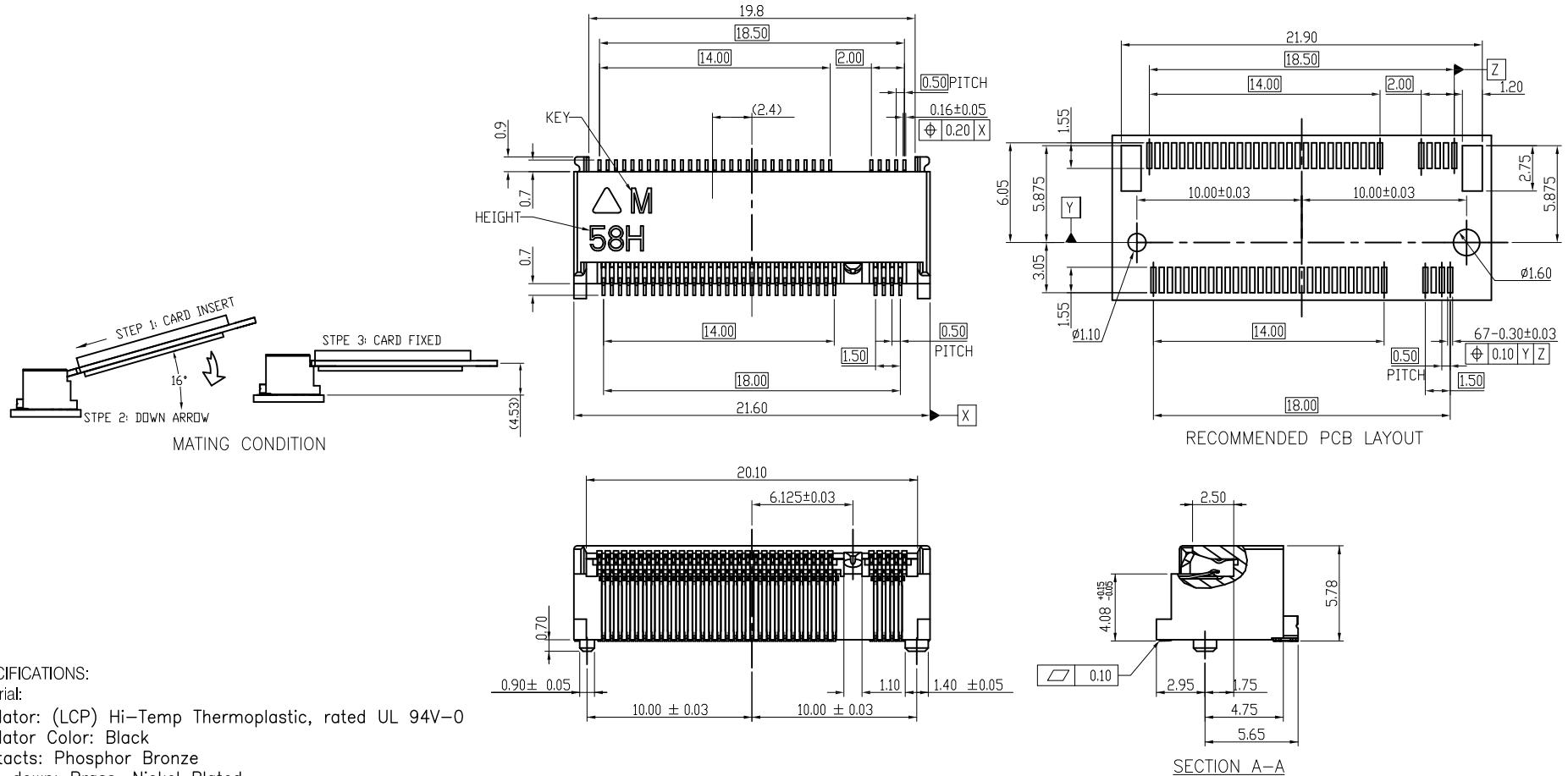


APPROVED: _____
 DATE: _____ TITLE: _____

Rev	AWO #	Description	Date	Appr
-		RELEASED	3/16/21	
A		ADDED PACKING	12/9/21	WX/RC



SPECIFICATIONS:
 Material:
 Insulator: (LCP) Hi-Temp Thermoplastic, rated UL 94V-0
 Insulator Color: Black
 Contacts: Phosphor Bronze
 Hold down: Brass, Nickel Plated
 Solder area: Tin plated

Plating:
 Gold flash over Nickel underplate overall

Electrical:
 Voltage rating: 50 VAC
 Current rating: 0.5A / (1Pin)
 Contact resistance: 55 mohms max
 Insulation resistance: 500 Mohms min
 Dielectric withstanding voltage: 300 VAC for 1 minute

Mechanical:
 Durability: 60 cycles min
 Insertion force: 20N max
 Withdrawal force: 25N
 Temperature Rating:
 Operating temperature: -40°C to +85°C

Environmental:
 Lead free, RoHS compliant



UNLESS OTHERWISE SPECIFIED ALL DIMENSIONS ARE MILLIMETERS. TOLERANCES: EXCEPT AS NOTED

MM	ANGLE
.X ± 0.30	X. ± 3°
.XX ± 0.20	.X ± 1°
.XXX ± 0.10	

DRAWN	LH	3/16/21
CHECKED	JL	3/16/21
APPROVED		

THIS DRAWING CONTAINS INFORMATION THAT IS PROPRIETARY AND SHOULD NOT BE USED WITHOUT PRIOR WRITTEN PERMISSION FROM ADAM TECH

ADAM TECH 909 Rahway Avenue,
 Union, NJ 07083
 Phone: 908-687-5000
 Fax: 908-687-5710

TITLE	M.2 CONNECTOR, 67PINS, SMT TYPE, 5.80MM HEIGHT, M KEY		
SIZE	PART NO.	REV.	
X	M2-A1-67-R-SMT-5.80-KM-T/R	A	
REF:	S00275T	SCALE:	NTS SHEET 1 OF 3

6

5

4

3

2

1

APPROVED: _____

DATE: _____ TITLE: _____

Rev | AWO # | Description | Date | Appr

SEE SHT 1 OF 3 FOR REVISION

42<NGFF CARD 42mm TYPE>
60<NGFF CARD 60mm TYPE>
80<NGFF CARD 80mm TYPE>
110<NGFF CARD 110mm TYPE>

22
<11>
 $\phi 3.5 \pm 0.05$
 $\phi 5.5 \pm 0.1$
MECHANICAL GND PAD
AREA RESERVED FOR RF RECEPTACLE OR COMPONENTS WHEN NO RF RECEPTACLES USED
COMPONENT AREA

3.8±0.15
2
1.375
1.2±0.05
6.125
1.4
19.85±0.15
0.5 PITCH
POS. No.1
34X0.35±0.04
 $\phi 0.15 \text{C B/A}$
0.09C

3.5
4
B

2
2.5
1.4
2.5
1.5

FRONT SIDE

1.25±0.1
1.25±0.1
1±0.1
 $\phi 3.5 \pm 0.1$
MECHANICAL GND PAD
COMPONENT AREA

4MIN.
2-20°±5'
5.2MIN.
0.3±0.25
0.2 MIN.
0.8±0.08
 $\phi 0.15 \text{C B/A}$
-0.15C

2-R0.5
POS. No.2
33X0.35±0.04
 $\phi 0.15 \text{C B/A}$
0.05C
1.25
0.5 PITCH
POS. No.74
2.5
1.4
2.5
1.5

BACK SIDE

KEY ID "M"
RECOMMENDED MODULE LAYOUT
GENERAL TOLERANCE ±0.15

UNLESS OTHERWISE SPECIFIED ALL DIMENSIONS ARE MILLIMETERS. TOLERANCES: EXCEPT AS NOTED

MM	ANGLE
.X ± 0.30	X. ± 3°
.XX ± 0.20	.X ± 1°
.XXX ± 0.10	

909 Rahway Avenue,
Union, NJ 07083
Phone: 908-687-5000
Fax: 908-687-5710

DRAWN	LH	3/16/21
CHECKED	JL	3/16/21
APPROVED		

TITLE
M.2 CONNECTOR, 67PINS, SMT TYPE,
5.80MM HEIGHT, M KEY

THIS DRAWING CONTAINS INFORMATION THAT IS PROPRIETARY AND SHOULD NOT BE USED WITHOUT PRIOR WRITTEN PERMISSION FROM ADAM TECH

SIZE X	PART NO. M2-A1-67-R-SMT-5.80-KM-T/R	REV. A
REF: S00275T	SCALE: NTS	SHEET 2 OF 3

6

5

4

3

2

1

6 5 4 3 2 1

APPROVED: _____
 DATE: _____ TITLE: _____

Rev	AWO #	Description	Date	Appr
SEE SHT 1 OF 3 FOR REVISION				

NOTES:

- PACKING STYLE: 600 PCS/REEL
3,600 PCS/OUTER CARTON
- MATERIAL: CARRIER TAPE: PS BLACK
COVER TAPE: PET FILM
REEL: PLASTIC
- PEEL STRENGTH OF COVER TAPE: 20~80g
(PEEL SPEED 300mm/MINUTE)
- CARTON SIZE: 350x350x320mm
- G/W: Kg , N/W: Kg

UNLESS OTHERWISE SPECIFIED ALL DIMENSIONS ARE MILLIMETERS. TOLERANCES: EXCEPT AS NOTED

MM	ANGLE
.X ± 0.30	X. ± 3°
.XX ± 0.20	.X ± 1°
.XXX ± 0.10	

DRAWN	LH	3/16/21
CHECKED	JL	3/16/21
APPROVED		

THIS DRAWING CONTAINS INFORMATION THAT IS PROPRIETARY AND SHOULD NOT BE USED WITHOUT PRIOR WRITTEN PERMISSION FROM ADAM TECH

ADAM TECH 909 Rahway Avenue,
 Union, NJ 07083
 Phone: 908-687-5000
 Fax: 908-687-5710

TITLE	M.2 CONNECTOR, 67PINS, SMT TYPE, 5.80MM HEIGHT, M KEY		
SIZE	PART NO.	REV.	
X	M2-A1-67-R-SMT-5.80-KM-T/R	A	
REF: S00275T	SCALE: NTS	SHEET 3 OF 3	

6 5 4 3 2 1