

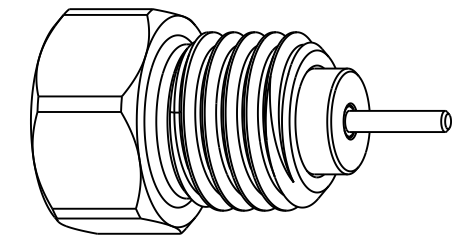
NOTES:

1. MATERIAL AND FINISH (PLATING THICKNESS IN MICRO-INCHES):
 BODY BRASS, ALBALOY PLATING
 CONTACT PIN BRASS, GOLD PLATING
 INSULATOR PTFE, NATURAL
2. ELECTRICAL:
 A. IMPEDANCE: 50 OHM
 B. FREQUENCY RANGE: DC - 10 GHz
 C. VSWR: 1.15 MAX. @ DC - 3 GHz; 1.22 MAX. @ 3 - 4 GHz
 D. INSERTION LOSS: 0.1 dB MAX. @ DC - 3 GHz
 E. INSULATION RESISTANCE: 5 GOHM MIN.
3. MECHANICAL:
 A. MATING CYCLES: 200 MIN.
 B. TEMPERATURE RANGE: -45°C TO +125°C

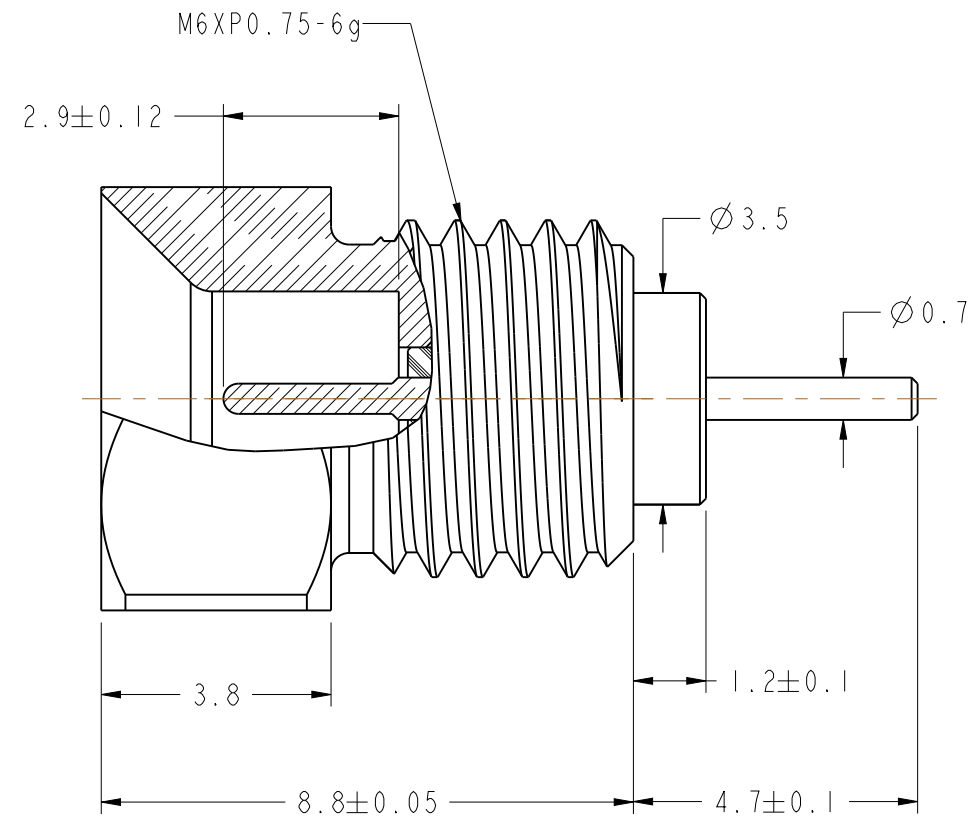
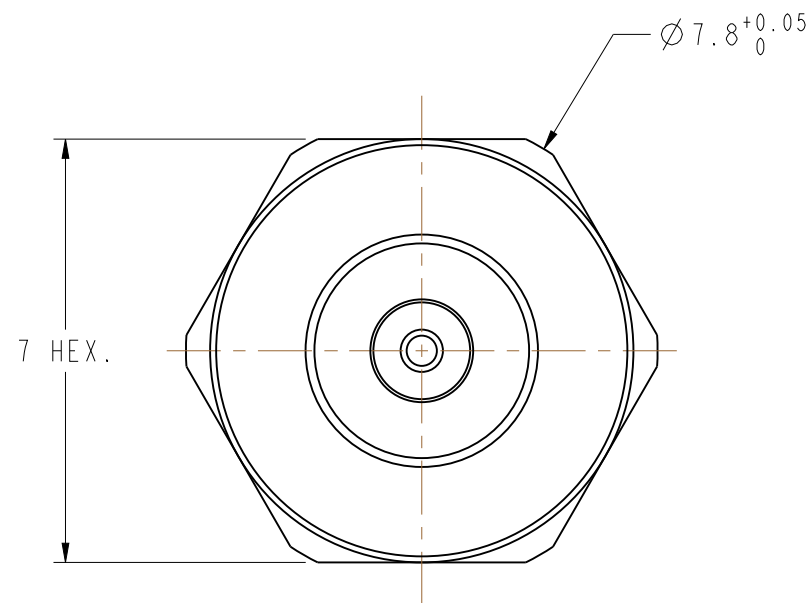
THIRD ANGLE PROJ.

REVISIONS

REV	DESCRIPTION	DATE	ECO	APPR
A	RELEASE TO MFG.	19-Nov-15		LQ
B	ADD NORTH AMERICAN PART NUMBER	18-Mar-21	15600	CJV



SCALE 4.000



CUSTOMER OUTLINE DRAWING

ALL OTHER SHEETS ARE FOR INTERNAL USE ONLY

UNLESS OTHERWISE SPECIFIED, DIMENSIONS ARE IN METRIC AND TOLERANCES ARE:
 <0.5mm ± 0.05mm 0.5 - 6mm ± 0.1mm 6 - 30mm ± 0.2mm 30 - 120mm ± 0.3mm ANGLES ± 1°

NOTICE - These drawings, specifications, or other data (1) are, and remain the property of Amphenol corp. (2) must be returned upon request; and (3) are confidential and not to be disclosed to any person other than those to whom they are given by Amphenol Corp. the furnishing of these drawings, specifications, or other data by Amphenol Corp., or to any other person to anyone for any purpose is not to be regarded by implication or otherwise in any manner licensing, granting rights to permitting such holder or any other person to manufacture, use or sell any product, process or design, patented or otherwise, that may in any way be related to or disclosed by said drawings, specifications, or other data.

MATERIAL	DRAWN L.QIN	DATE 20-Nov-15	TITLE HD EFI SMOOTH BORE SOLDER PIN		Amphenol RF www.amphenolrf.com
REFERENCE AND CONFIGURATION LEVEL:	ENGINEER H.HE	DATE 20-Nov-15	SCALE: 8.0:1.0 SHEET 2 OF 2		
FINISH	APPROVED S.HSIEH	DATE 20-Nov-15	DWG SIZE B	REV B	DRAWING NO. DF11351BI-001-AT8GP-50
	CAD FILE				ITEM NO. 911351AABAICR5F
					PART NO. 920-532J-53S