

1

2

3

4

5

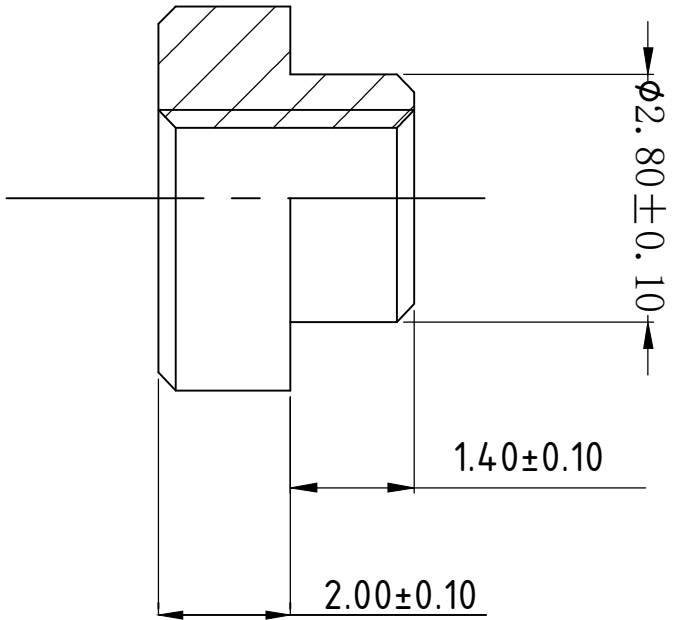
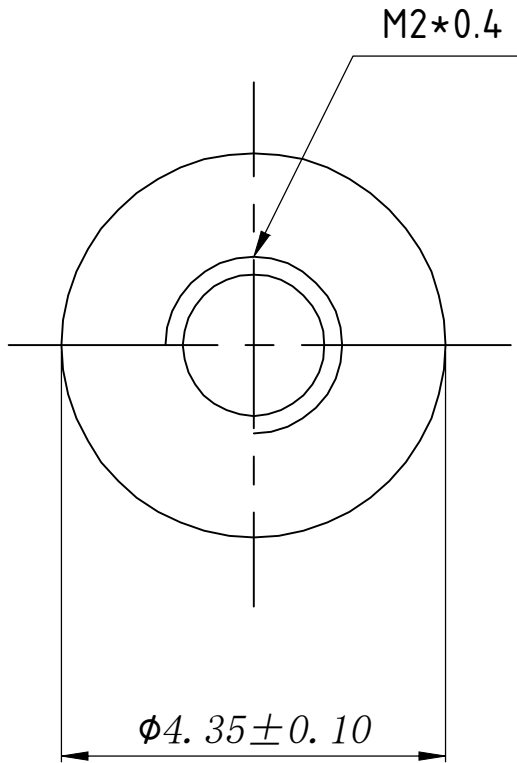
6

7


8

| | | | |
|----|------|------|----|
| 版本 | 变更内容 | 工程确认 | 日期 |
| | | | |

A
B
C
D
E
F



A
B
C
D
E
F

| | | | | |
|--|--|----------------------------|---------------|---------------|
|  东莞市博众电气有限公司 Dongguan Bozhong Electrical Co., Ltd. | | 页码 (SHEET) | 1/1 | 单位 (UNIT): MM |
| | | 版本 (REV) | A1 | 比例 (SCALE) |
| 品名 (ITEM NO) | | M2×4.35×2.0+1.4 1215 NI+SN | 日期 (DATE) | 2021. 10. 12 |
| 料号 (PART NO) | | BSMTWEM220STR | 设计 (DESIGN) | LUO |
| 图号 (DWG NO) | | | 审核 (CHECKED) | ROGER LI |
| | | | 核准 (APPROVED) | ROC ZHAO |
| These drawings and specifications are Dongguan Bozhong Technology Co Ltd. The property should not be copied. Without Dongguan Bozhong Technology Co. Ltd. Prior written consent to copy or use in any way. | | | | |

| | | |
|-----------------------|---------------|----------------------|
| 未注公差 | \varnothing | \square |
| TOLERANCE UNSPECIFIED | | |
| X | ± 0.20 | X* $\pm 4^{\circ}$ |
| .X | ± 0.10 | .X* $\pm 2^{\circ}$ |
| .XX | ± 0.05 | .XX* $\pm 1^{\circ}$ |

1

2

3

4

5

6

7

8