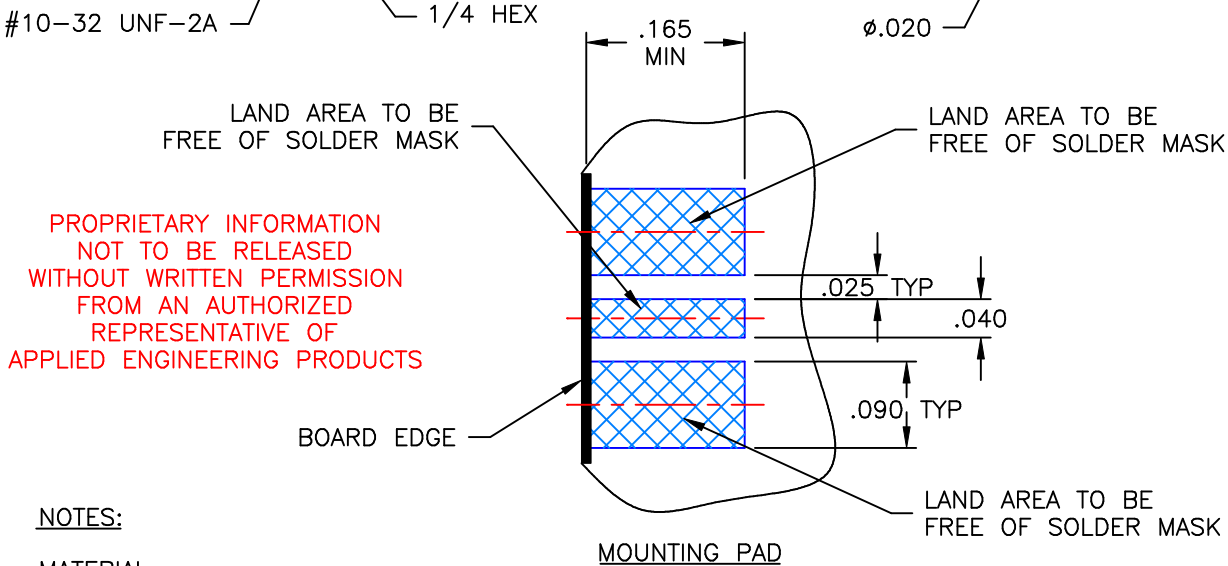
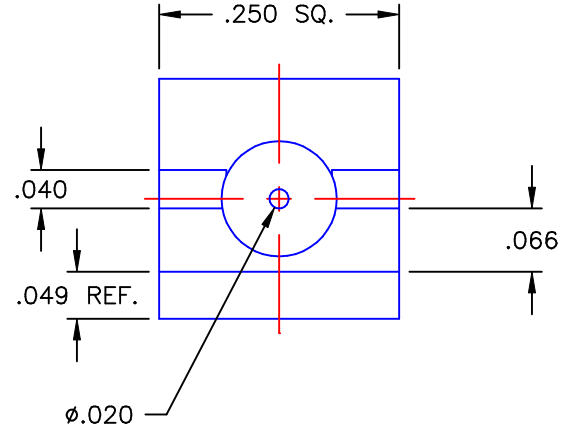
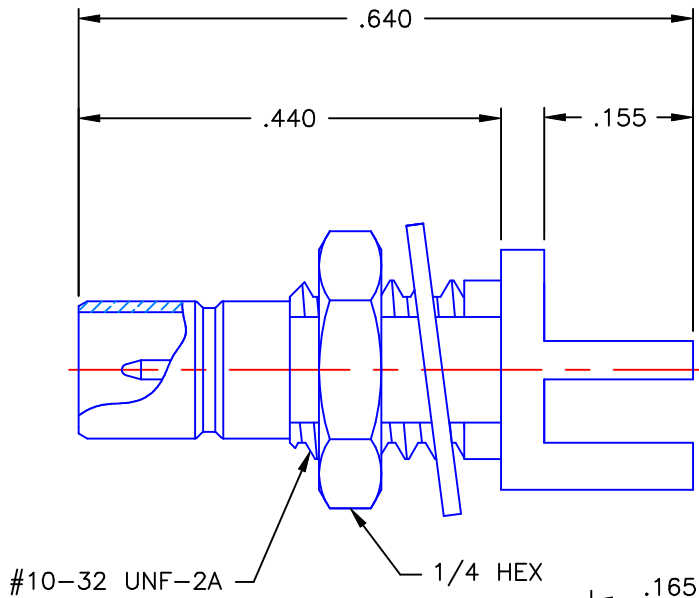


REVISIONS			
REV	DESCRIPTION	DATE	APPROVED
-	INITIAL RELEASE	04/21/99	A.M.
A	UPDATED "D" FLAT	05/03/99	A.M.
B	ECO #3153	06/25/99	D.N.
C	ECO #5420	06/04/04	D.N.
D	ECO #6160	03/02/06	D.N.



PROPRIETARY INFORMATION
NOT TO BE RELEASED
WITHOUT WRITTEN PERMISSION
FROM AN AUTHORIZED
REPRESENTATIVE OF
APPLIED ENGINEERING PRODUCTS



NOTES:

MATERIAL:

1. INSULATOR = VIRGIN WHITE TEFLON PER ASTM D1710, GRADE 1, TYPE I, CLASS "B".
2. LOCKWASHER = PHOSPHOR BRONZE PER ASTM B139 COPPER ALLOY C53400, TEMPER H04.
3. ALL OTHER METAL PARTS = BRASS PER ASTM B16, ALLOY C36000, TEMPER H02.

FINISHES:

1. CONTACT = GOLD PLATE PER MIL-G-45204 TYPE II, CLASS 1, GRADE C OVER .00010 TO .00020 STRESS FREE SULFAMATE NICKEL PER QQ-N-290.
2. ALL OTHER METAL PARTS = GOLD PLATE PER MIL-G-45204 TYPE II, CLASS 0, GRADE C, OVER .00010 TO .00020 COPPER STRIKE PER MIL-C-14550.

UNLESS OTHERWISE SPECIFIED DIMENSIONS ARE IN INCHES TOLERANCES ON		DWN: DATE	 APPLIED ENGINEERING PRODUCTS 104 John W. Murphy Dr. New Haven, CT 06513
		A.M. 04/21/99	
DECIMAL	ANGLE	CHKD: DATE	
		D.N. 04/21/99	MINIATURE 75 OHM STRAIGHT MALE BULKHEAD/EDGE MOUNT AIR DIELECTRIC RECEPTACLE
		APVD: DATE	
		G.L. 04/21/99	SIZE A FSCM NO. 19505 DWG NO. 8808-1511-001 REV D
REFERENCE:	MATERIALS AND FINISHES:		SCALE 5:1 THIRD ANGLE PROJECTION 
ORIGINATOR: A.M. DATE: 04/21/99	SEE NOTES		SHEET 1 OF 1

8808-1511-001