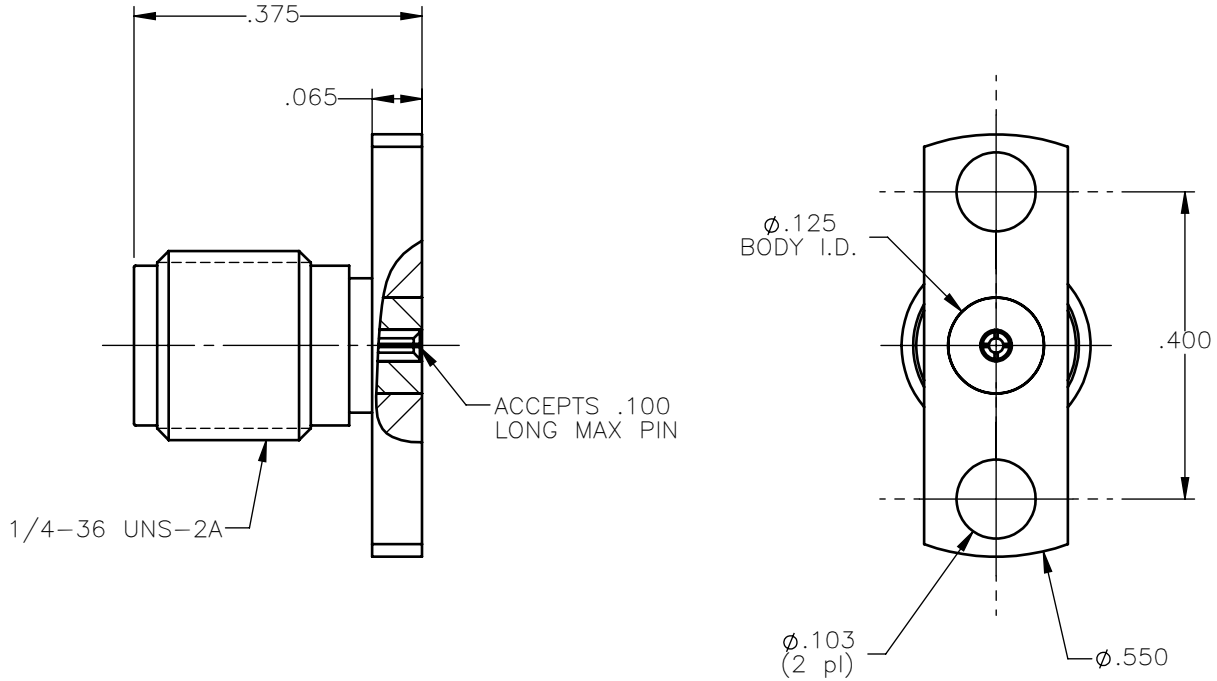


REVISIONS			
REV.	DESCRIPTION	DATE	APPROVED
A	INITIAL RELEASE	03/12/18	C.E.





NOTES:

MATERIALS:

1. BODY = STAINLESS STEEL PER ASTM A582, ALLOY 303, CONDITION "A".
2. INSULATOR = VIRGIN WHITE TEFLON PER ASTM D1710, GRADE 1, TYPE I, CLASS "B".
3. CONTACT = BERYLLIUM COPPER PER ASTM B196, ALLOY C17300, TEMPER TD04.

FINISHES:

1. BODY = PASSIVATE PER SAE-AMS-2700.
2. CONTACT = GOLD PLATE PER ASTM B488-11, TYPE II, 50µin MIN, GRADE C, OVER 100 TO 200µin STRESS FREE SULFAMATE NICKEL PER AMS-QQ-N-290.

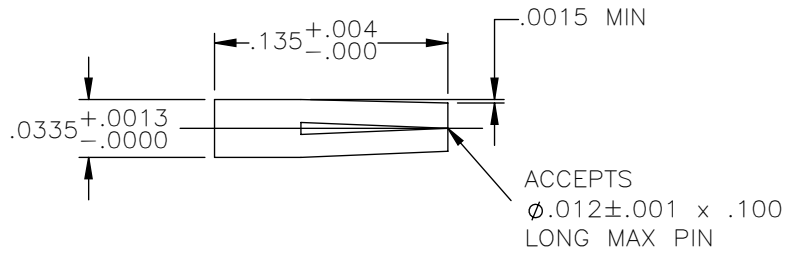
UNLESS OTHERWISE SPECIFIED DIMENSIONS ARE IN INCHES TOLERANCES ON	DWN: C.E.	DATE: 03/12/18	 Property of Radiall This document cannot be reproduced or communicated to a third party without prior written permission of RADIALL.		
	CHKD: D.N.	DATE: 03/12/18			
DECIMAL	ANGLE	APVD: J.M.	<b>SMA STRAIGHT JACK          2-HOLE FLANGE MOUNT          HERMETIC SEAL LAUNCHERS</b>		
		DATE: 03/12/18			
REFERENCE:	MATERIAL:	SIZE: A	FSCM NO.: 19505	DWG NO.: 9180-9513-001	REV: A
ORIGINATED: C.E. DATE: 03/12/18	SEE NOTES	SCALE: 4:1	THIRD ANGLE PROJECTION		SHEET 1 OF 2

9180-9513-001

REVISIONS			
REV	DESCRIPTION	DATE	APPROVED
A	INITIAL RELEASE	03/13/18	C.E.

ORDERING INFORMATION

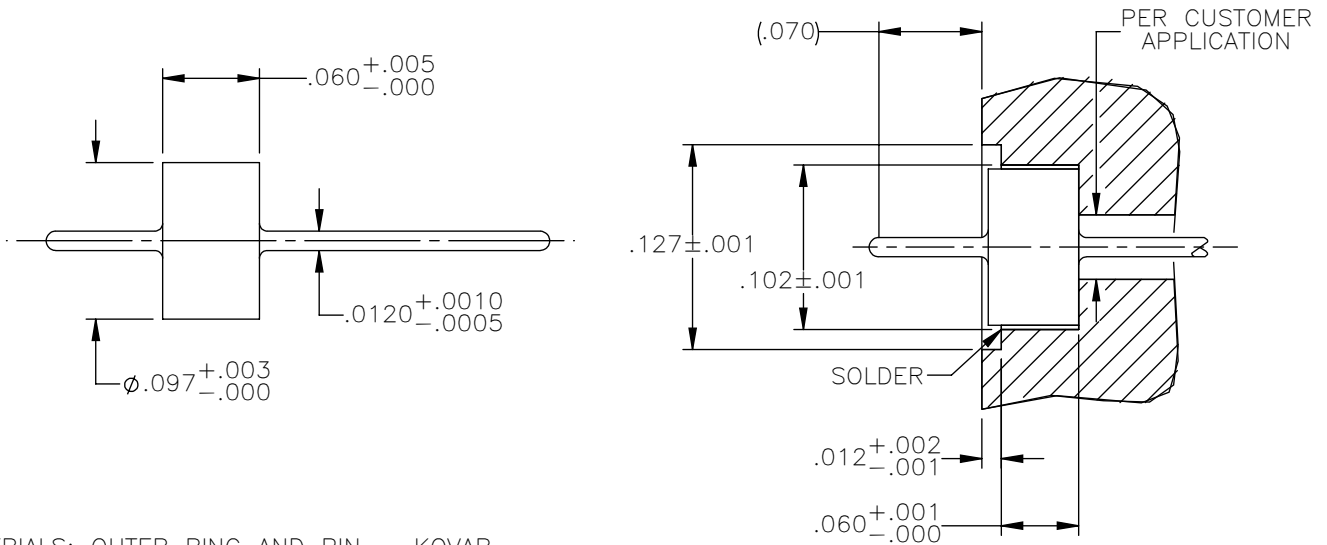
9062-9513-001 CONNECTOR ONLY, SUPPLIED TO DWG SHEET 1  
 9162-9513-001 CONNECTOR SUPPLIED TO DWG WITH GLASS SEAL ONLY  
 9262-9513-001 CONNECTOR SUPPLIED TO DWG WITH GLASS SEAL AND CONTACT  
 9362-9513-001 CONNECTOR SUPPLIED TO DWG WITH CONTACT ONLY



MATERIAL: BERYLLIUM COPPER PER ASTM B196, ALLOY C17300, TEMPER TD04.



FINISH: GOLD PLATE PER MIL-G-45204, TYPE II, CLASS 1, GRADE C, OVER .00010 TO .00020 STRESS FREE SULFAMATE NICKEL PER QQ-N-290.

RECOMMENDED MOUNTING



MATERIALS: OUTER RING AND PIN = KOVAR  
 GLASS BEAD = CORNING 7070

FINISHES: OUTER RING AND PIN = GOLD PLATE PER MIL-G-45204, TYPE II, GRADE C, CLASS I, OVER NICKEL PER MIL-G-26074, CLASS I, OVER COPPER PER MIL-C-14550.

UNLESS OTHERWISE SPECIFIED DIMENSIONS ARE IN INCHES TOLERANCES ON	DWN: C.E.	DATE: 03/13/18	 Property of Radiall This document cannot be reproduced or communicated to a third party without prior written permission of RADIALL.		
	CHKD: D.N.	DATE: 03/13/18			
DECIMAL	ANGLE	APVD: J.M.	<b>SMA STRAIGHT JACK          2-HOLE FLANGE MOUNT          W/ GLASS SEAL</b>		
		DATE: 03/13/18			
REFERENCE:	MATERIALS & FINISHES:	SIZE: A	FSCM NO.: 19505	DWG NO.: 9180-9513-001	REV: A
ORIGINATED: C.E. DATE: 03/13/18	SEE NOTES	SCALE: 12:1	THIRD ANGLE PROJECTION		SHEET 2 OF 2

9180-9513-001