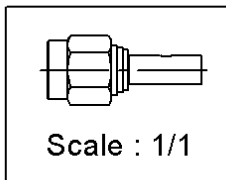
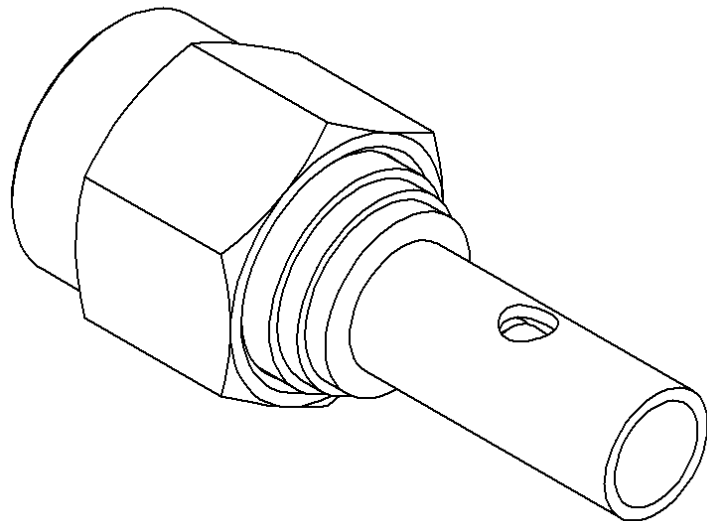
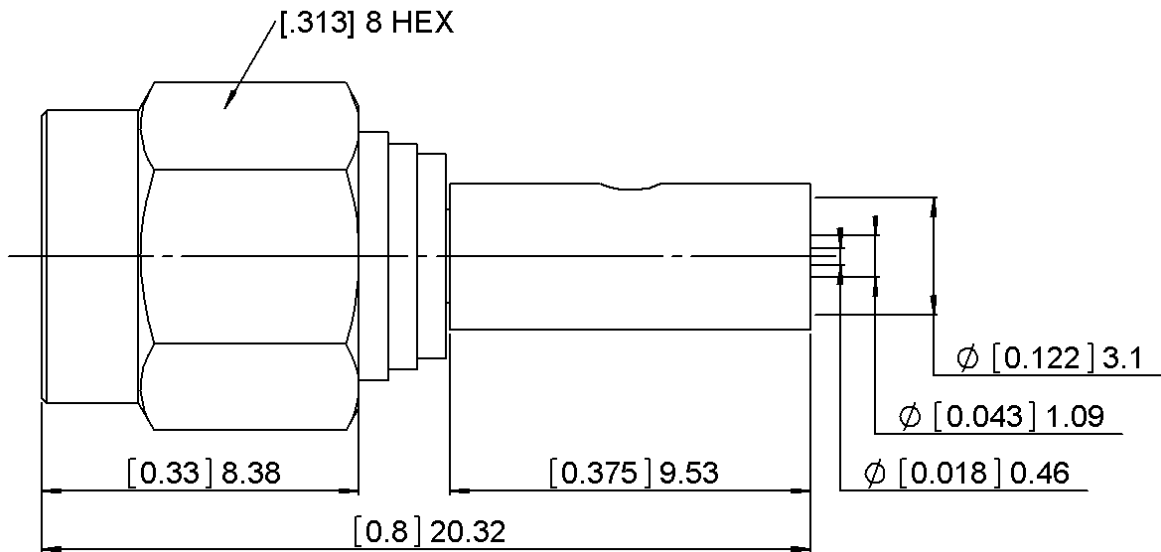
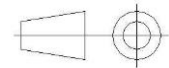


PAGE 1/2	ISSUE 17-08-16A	SERIES SMA	PART NUMBER 9001-1033-002
----------	-----------------	------------	---------------------------



All dimensions are in mm.



COMPONENTS	MATERIALS	PLATING (µm)
Body	STAINLESS STEEL	GOLD 0.8 OVER NICKEL 1.3
Center contact	BERYLLIUM COPPER	GOLD 1.3 OVER NICKEL 2
Outer contact		
Insulator	PTFE	
Gasket	SILICONE RUBBER	
Others parts	STAINLESS STEEL	PASSIVATED
-	-	-
-	-	-

PAGE 2/2	ISSUE 17-08-16A	SERIES SMA	PART NUMBER 9001-1033-002
-----------------	------------------------	-------------------	----------------------------------

PACKAGING

Standard	Unit	Other
	Contact us	Contact us

ELECTRICAL CHARACTERISTICS

Impedance	50	Ω
Frequency	0-12.4	GHz
VSWR	1.15 + 0.0100	x F(GHz) Maxi
Insertion loss	.06	\sqrt{F} (GHz) dB Maxi
RF leakage	60	- F(GHz)) dB Maxi
Voltage rating	335	Veff Maxi
Dielectric withstanding voltage	1000	Veff mini
Insulation resistance	5000	M Ω mini

MECHANICAL CHARACTERISTICS

Center contact retention		
Axial force – Mating End	NA	N mini
Axial force – Opposite end	NA	N mini
Torque	NA	N.cm mini
Recommended torque		
Mating	100	N.cm
Panel nut	NA	N.cm
Clamp nut	NA	N.cm
A/F clamp nut	0.0000	mm
Mating life	500	Cycles mini
Weight	2.9500	g

ENVIRONMENTAL

Operating temperature	-65/+125	$^{\circ}\text{C}$
Hermetic seal	NA	Atm.cm3/s
Panel leakage	NA	

SPECIFICATION

CABLE ASSEMBLY

Stripping	a	b	c	d	e	f
mm	0	0	0	0	0	0

Assembly instruction: **AIS-302-B-2**

Recommended cable(s)

- KX 15**
- RG 141**
- RG 178 LC**
- RG 178**
- RG 196**

Characteristics indicated on this data sheet are those that can be achieved with the highest performance cable. Intrinsic limitations of the cable may diminish the performance of the assembly

Cable retention

- pull off	180	N mini
- torque	NA	N.cm

TOOLING

Part Number	Description	Hexagon
.	.	.

OTHER CHARACTERISTICS