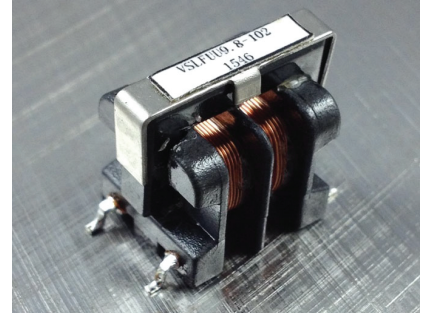




SMD Line Filter

VSLFUU9.8-102

- SMD Vertical UU9.8 Core Design
- Bobbin made of UL94V-0 material
- Varnish Impregnated, 130 deg



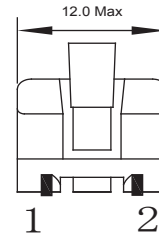
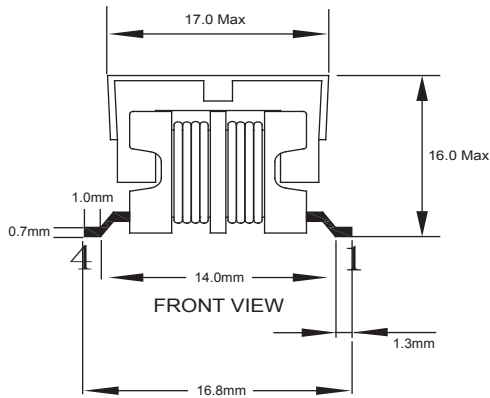
Electrical Specifications @ 25°C

Part Number	Inductance	DCR	Current Rating	HI-POT COIL-COIL	Input Voltage	Inductance Balance Coil to Coil
VSLFUU9.8-102	1.0mH Min	0.35Ω±20%	0.7A Max	AC1.5KV/5mA/3S	264VAC	50uH Max

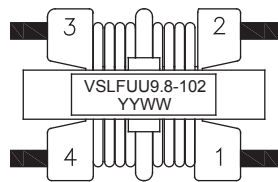
All specifications subject to change without notice.

MECHANICAL

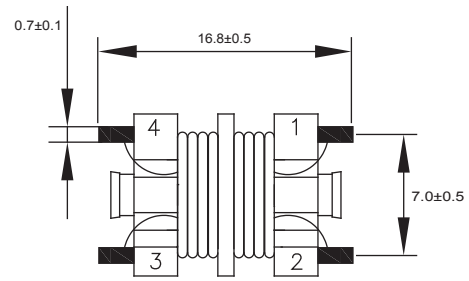
Dimensions (Unit:mm)



SIDE VIEW

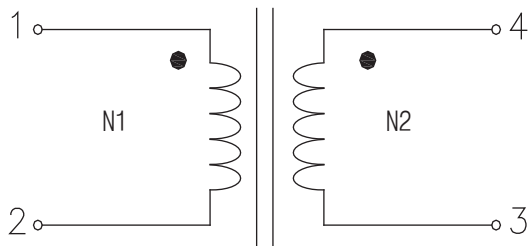


TOP VIEW



BOTTOM VIEW

SCHEMATIC:



WINDING:

