

NOTES:

1. MATERIALS AND FINISHES:

- BODY, BODY-REAR, & COUPLING NUT - BRASS, NICKEL PLATING
- INSULATOR - PTFE, NATURAL
- INSULATOR DISC - ULTEM, NATURAL
- CONTACT - BRASS, GOLD PLATING
- FERRULE - COPPER, NICKEL PLATING
- RETAINING RING - STAINLESS STEEL, NATURAL
- CAP - STAINLESS STEEL, PASSIVATED
- GASKET & O-RINGS - SILICONE RUBBER, RED
- HEAT SHRINK TUBE - CROSSLINKED POLYOLEFIN, BLACK

2. ELECTRICAL:

- A. IMPEDANCE: 50 OHM
- B. FREQUENCY RANGE: DC - 8 GHz
- C. VSWR: 1.20 MAX.

3. MECHANICAL:

- A. DURABILITY: 500 CYCLES MIN.
- B. TEMPERATURE : -65°C TO +165°C

4. PACKAGING:

- A. QUANTITY: SINGLE PACK
- B. MARKING: BAG TO BE MARKED. "AMPHENOL RF, 901-10661 AND DATE CODE"

5. CABLE ASSEMBLY INSTRUCTIONS:

- A. TRIM CABLE AS SHOWN.
- B. SLIDE HEAT SHRINK TUBING, FERRULE AND INSULATOR DISC ONTO CABLE.
- C. INSERT CABLE, UNTIL IT BOTTOMS, WITH FOIL ENTERING CONNECTOR AND BRAID OVER KNURL.
- D. SOLDER CABLE CENTER CONDUCTOR TO CONTACT.
- E. CRIMP FERRULE OVER BRAID WITH 0.213" HEX DIE.
- F. APPLY HEAT SHRINK TUBING OVER FERRULE.
- G. HEAT SHRINK TUBING SHOULD FULLY (360°) COVER THE BUMP ON BODY AND END WITHIN AREA "A".

6. CAP ASSEMBLY INSTRUCTIONS:

- A. PLACE O-RING ON CAP AS SHOWN.
- B. ASSEMBLE CAP TO BODY WITH 5 IN-LBS MAX TORQUE.

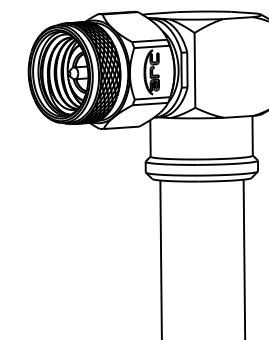
7. ADHESIVE LINED HEAT SHRINK TUBE IS INCLUDED (NOT SHOWN).

8. SHOWS CABLE ENTRY DIMENSIONS.

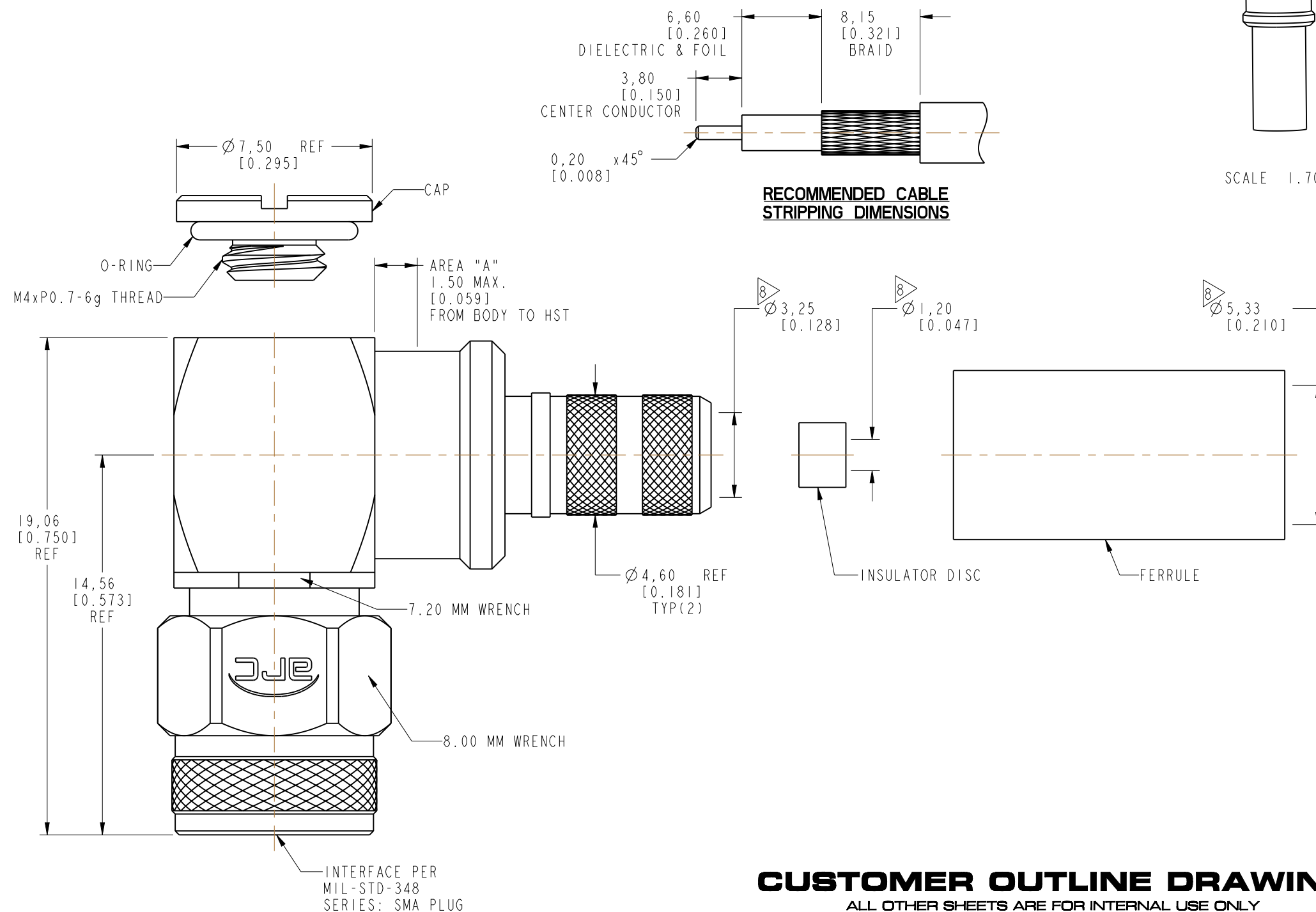
THIRD ANGLE PROJ.

REVISIONS

REV	DESCRIPTION	DATE	ECN	APPR
A	RELEASE TO MFG.	17-Oct-19	13304	SKP



SCALE 1.700



CUSTOMER OUTLINE DRAWING

ALL OTHER SHEETS ARE FOR INTERNAL USE ONLY

<p>UNLESS OTHERWISE SPECIFIED, DIMENSIONS ARE IN METRIC AND TOLERANCES ARE: <0.5mm ± 0.05mm 0.5 - 6mm ± 0.1mm 6 - 30mm ± 0.2mm 30 - 120mm ± 0.3mm ANGLES ± 1°</p>	MATERIAL	DRAWN	DATE	TITLE		<p>Amphenol RF www.amphenolrf.com</p>	
	SEE NOTES	VIJAY N M	06-Feb-19	SMA RA PLUG IP 67 FOR LMR 200 CABLE			
<p>NOTICE - These drawings, specifications, or other data (1) are, and remain the property of Amphenol corp. (2) must be returned upon request; and (3) are confidential and not to be disclosed to any person other than those to whom they are given by Amphenol Corp. the furnishing of these drawings, specifications, or other data by Amphenol Corp., or to any other person to anyone for any purpose is not to be regarded by implication or otherwise in any manner licensing, granting rights to permitting such holder or any other person to manufacture, use or sell any product, process or design, patented or otherwise, that may in any way be related to or disclosed by said drawings, specifications, or other data.</p>	REFERENCE	ENGINEER	DATE	SCALE: 5.4:1.0 SHEET 2 OF 2		DRAWING NO. 901-10661	
	EAR# 8898	VIJAY N M	06-Feb-19			ITEM NO. 901-10661	
	REF: 901-10580	APPROVED	K. CAPOZZI	DATE	DWG SIZE B		PART NO. 901-10661
	CONFIGURATION LEVEL: In Work	CAD FILE		17-Oct-19	REV A		