

	<b>兴化市悦馨电子有限公司</b> <b>样品承认书</b> <i>Specifications</i>	<a href="http://www.xhyxdz.com">http://www.xhyxdz.com</a> Tel: +86-523-83722059 Fax: +86-523-83722259
	地址: 江苏省兴化市陈堡镇工业园区	页码 PAGE: 1/4

客户名称 Customer Name	
品名 Rariety	SMD BUZZER
型号 Part No	YX-SMD8530
日期 Sample Date	

### 客户承认签署

签定结果:		
核准/ <i>Approved:</i>	审核/ <i>Checked:</i>	经办/ <i>Designed:</i>

### 供应商确认签署

核准 <i>/Approved:</i>	审核/ <i>Checked:</i>	经办 <i>/Designed:</i>
戴宏祥	时卫玲	王继勇

**【 承认后请签回一份!    *Thank you very much!*  】**



兴化市悦馨电子有限公司  
**样品承认书**  
*Specifications*

http://www.xhyxdz.com  
 Tel: +86-523-83722059  
 Fax: +86-523-83722259

地址: 江苏省兴化市陈堡镇工业园区

页码 PAGE: 2/4

**Part No: YX-SMD8530**

**性能参数 Electrical Characteristics**

Model No.	Unit	YX-SMD 8530
Rated Voltage	Vo-p	5
Operating Voltage	Vo-p	4-6
Rated Current	mA	≤90
Min. Sound Output at 10cm	dB	2.7-3.2Hz ≥86
Coil Resistance	Ω	30±5
Resonant Frequency	Hz	2700
Operating Temperature	°C	-30~+70
Storage Temperature	°C	-40~+85
Weight(MAX)	gram	0.6
ROHS		YES
Storage life	month	6 months preservation at room temp.

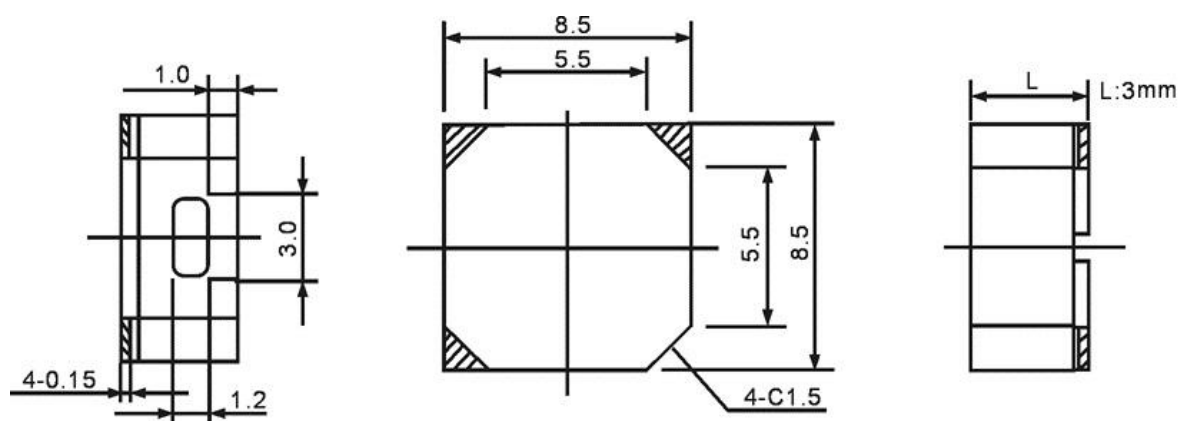
Environmental Protection Regulation

带\*号指标需要在额定电压下测试 \*Applying rated voltage

**外观尺寸 Appearance Drawing**

(单位: 毫米) (UNIT: mm)

未标注公差尺寸按±0.5mm Tolerance: ±0.5mm Except Specified





兴化市悦馨电子有限公司

样品承认书  
*Specifications*

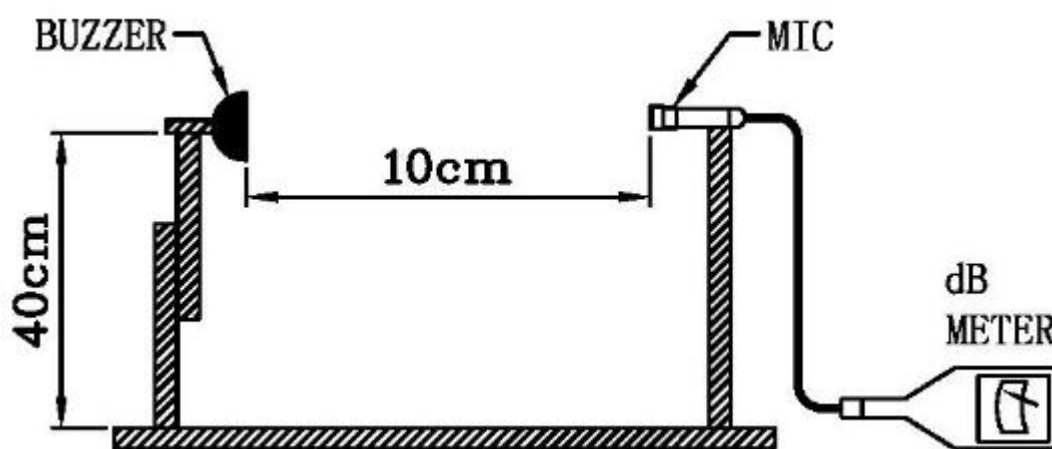
http://www.xhyxdz.com  
Tel: +86-523-83722059  
Fax: +86-523-83722259

地址: 江苏省兴化市陈堡镇工业园区

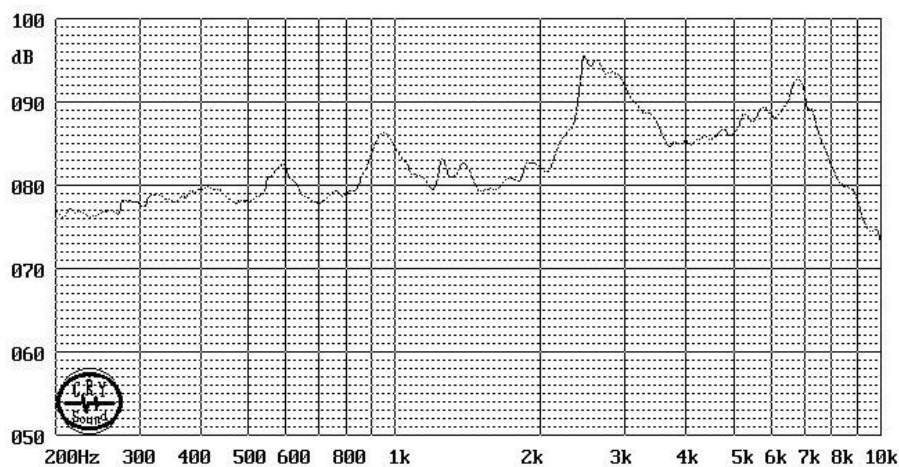
页码 PAGE: 3/4

Part No: YX-SMD8530

测试方法 TESTING METHOD



频响曲线 FREQUENCY RESPONSE





兴化市悦馨电子有限公司  
**样品承认书**  
*Specifications*

http://www.xhyxdz.com  
 Tel: +86-523-83722059  
 Fax: +86-523-83722259

地址：江苏省兴化市陈堡镇工业园区

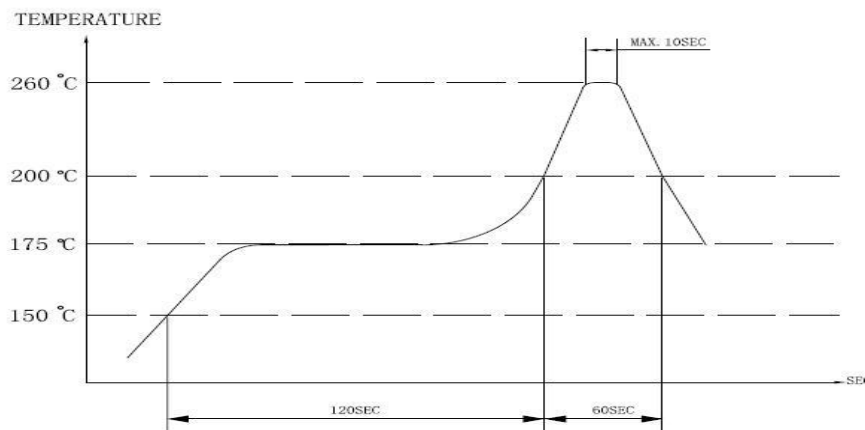
页码 PAGE:4/4

**Part No: YX-SMD8530**

**焊接条件 SOLDERING CONDITION**

(1) Recommendable reflow soldering condition is as follows (Reflow soldering is twice)

**Note:** It is requested that reflow soldering should be executed after heat of product goes down to normal.



Heat resistant line

Used when heat resistant reliability test is performed

(2) Manual soldering

Manual soldering temperature 350°C within 5 sec

**机械特性 MECHANICAL CHARACTERISTICS**

NO.	item	Test Condition	Evaluation standard
1	Solder ability	Lead terminals are immersed in rosin for 5 seconds and then immersed in solder bath of +270±5 for 3±1 seconds.	90% min. lead terminals shall be wet with solder. (Except the edge of terminal)
2	Soldering Heat Resistance	Lead terminal are immersed up to 1.5mm from sounder's body in solder bath of +300±5 for 3±0.5 seconds or +260±5 for 10±1 seconds	No interference in operation
3	Terminal Mechanical Strength	The force 10 seconds of 9.8N (1.0kg) is applied to each terminal in axial direction.	No damage and cutting off
4	Vibration	Buzzer shall be measured after being applied vibration of amplitude of 0.75mm with 10 to 55hz band of vibration frequency to each of 3per-pendicular directions for 0.5 hours.	The value of oscillation frequency/ current consumption should be in 10% compared with initial ones.
5	Drop test	The part only shall be dropped from a height of 70cm onto a 10mm thick wooden board 3 times in 3 axes (X.Y.Z). (a total of 9 times).	The SPL should be in ± 10dB compared with initial one.

