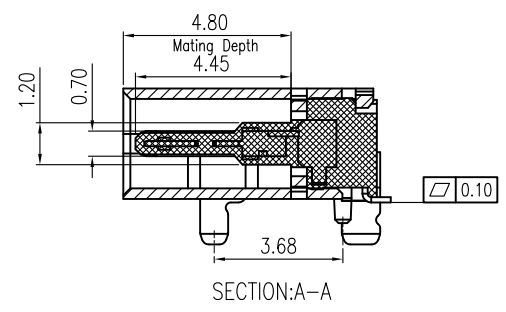
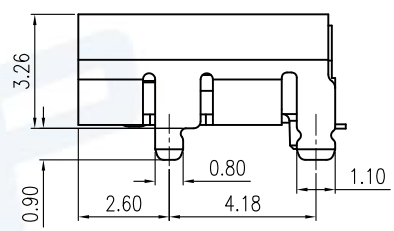


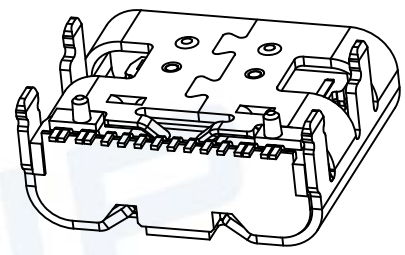
RECOMMENDED PCB LAYOUT (T=0.80)  
TOLERANCES UNLESS OTHERWISE SPEC. ±0.05



A1	GND	B12	GND
A4	VBUS	B9	VBUS
A5	CC1	B8	SBU2
A6	DP1	B7	DN2
A7	DN1	B6	DP2
A8	SBU1	B5	CC2
A9	VBUS	B4	VBUS
A12	GND	B1	GND
PIN	SIGNAL NAME	PIN	SIGNAL NAME



REV.	DESCRIPTION OF REVISIONS	APPR.	CHKD.	DRAW.	DATE
△1	Add product model	lucky	lucky	Roy	2020/07/19
△2	Add product model	lucky	lucky	Roy	2021/11/16
△3	Change product model No.	lucky	lucky	Roy	2023/10/17



NOTE:

- MECHANICAL:
  - 1-1 Insertion force: 5~20N
  - 1-2 Extraction force: 8~20N
  - Extraction force: 10000 CYCLES 6~20N
  - 1-3.FREQUENCY:500±50 CYCLES/HOUR,10000 CYCLES;
- ELECTRICAL CHARACTERISTICS:
  - 2-1. CURRENT RATING:
    - VBUS Pins (A4,A9,B4,B9): 5.0A,
    - Vconn(B5)/GND(A1,A12,B1,B12) : 1.25A
    - Other All Pins 0.25A
  - 2-2. INITIAL CONTACT RESISTANCE:40mΩ Max.
  - 2-3. INSULATION RESISTANCE:100MΩ MIN
  - 2-4. WITHSTANDING VOLTAGE:100V AC,1 MINUTE;
- ENVIRONMENTAL
  - TEMPERATURE RANGE: -40°C TO +85°C.

Model No.	Contact plating	Material	Colour
MUP-U20401-01	Au: 3u"	LCP	Black
MUP-U20401-03	Au: 1u"	LCP	Black
MUP-U20401-04	Au: 15u"	LCP	Black
MUP-U20401-07	Au: 3u"	LCP	White
MUP-U20401-10	Au: 3u"	NYLON	Black

ITEM	PART NAME	Q'TY	MATERIAL	FINISH
1	Molding	1	THERMOPLASTIC	Black/White, UL94V-0
2	CONTACT	16	HIGH CONDUCTIVITY COPPER	Contact area: Au 1u"/3u"/15u"
3	SHELL	1	STAINLESS STEEL	Ni plated over all
4	MID-PLATE	1	STAINLESS STEEL	Cleaning

Unless otherwise specified, other tolerance are:

**MUP** MUP INDUSTRIAL CO.,LTD.

NAME: **USB Type C SINGLE-Row SMT Receptacle**

MODEL NO: **MUP-U20401-XX**

TYPE : **16Pin & With Post on board L=7.35**

PROJ.	UNIT	SCALE	DRAW	Roy	2019/04/22	DWG NO.:
①	mm	1:1	CHECKED	lucky	2019/04/22	DWG-U20401-XX-01
CUSTOMER DRAWING			APPROVAL	lucky	2019/04/22	SHEET
					1/2	REVISION
						6

REV.	DESCRIPTION OF REVISIONS	APPR.	CHKD.	DRAW.	DATE
△1	Add product model	lucky	lucky	Roy	2020/07/19
△2	Add product model	lucky	lucky	Roy	2021/11/16
△3	Change product model No.	lucky	lucky	Roy	2023/10/17

NOTES

1. NUMBER OF CONNECTORS:900PCS/REEL
2. LEAD TAPE LENGTH

EMPTY 15PCS	PART 900PCS	EMPTY 15PCS
LEADER 240mm	COMPONENT SUPPLIER	TRAILER 240mm

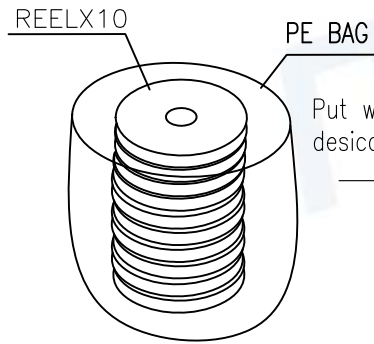
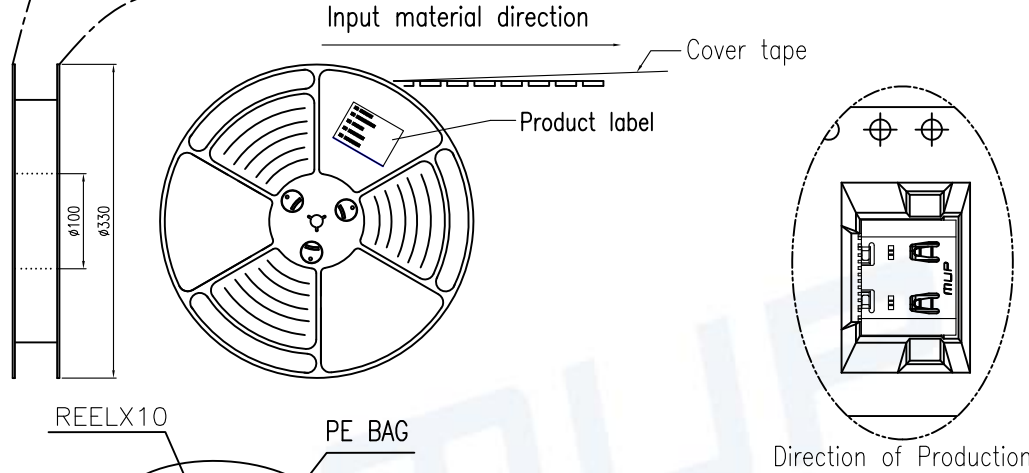
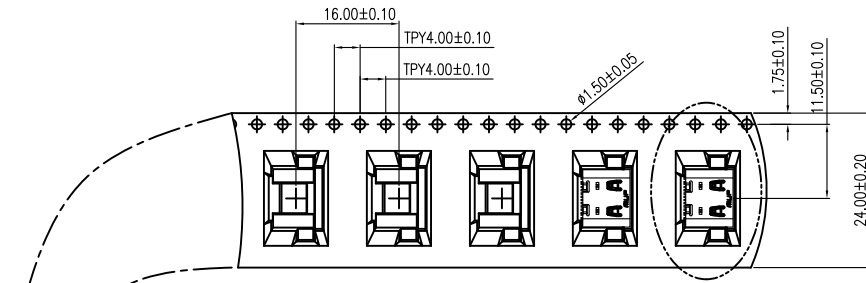
3. QUANTITY:9000/CARTON

4. WEIGHT :

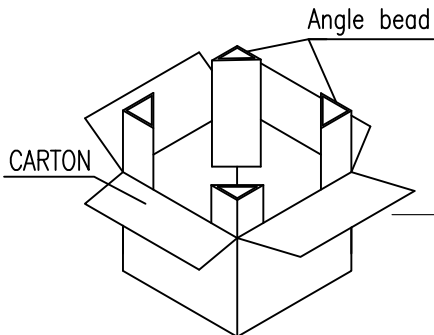
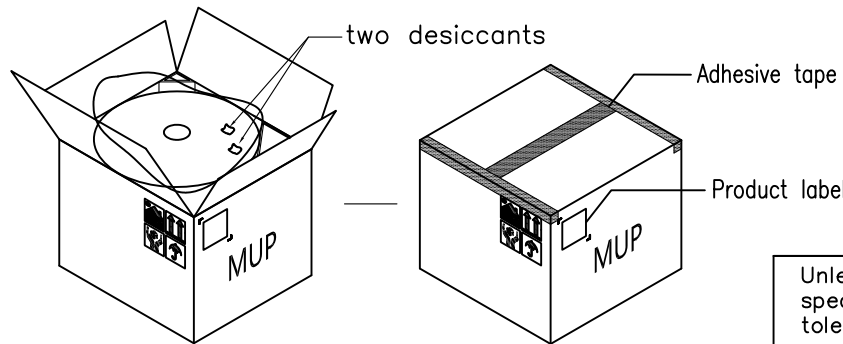
4.1 NET WEIGHT : 4.1 Kg

4.2 GROSS WEIGHT : 9.4 Kg

- 5.Meas:350Lx350Wx315H mm



Put waterproof PE bag inside the box and add two desiccants.



Unless otherwise specified, other tolerance are:		<b>MUP</b> MUP INDUSTRIAL CO.,LTD.			
X ±0.40	X' ±5'	NAME: <b>USB Type C SINGLE-Row SMT Receptacle</b>			
X.X ±0.30	X.X' ±4'	MODEL NO: <b>MUP-U20401-XX</b>			
X.XX ±0.20	X.XX' ±3'	TYPE : <b>16Pin &amp; With Post on board L=7.35</b>			
X.XXX ±0.10	X.XXX' ±2'	PROJ.	UNIT	SCALE	DRAW
		①	mm	1:1	Roy 2019/04/22
CUSTOMER DRAWING		APPROVAL		lucky 2019/04/22	DWG NO.: DWG-U20401-XX-01
					SHEET 2/2
					REVISION 6