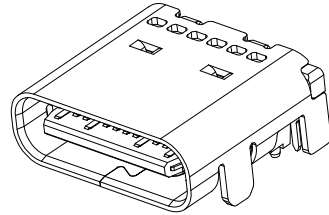
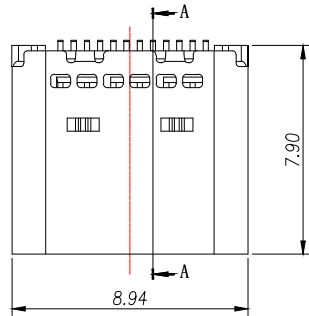
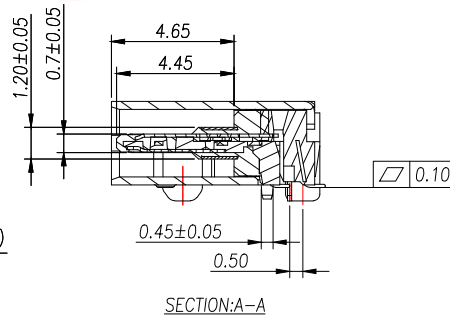
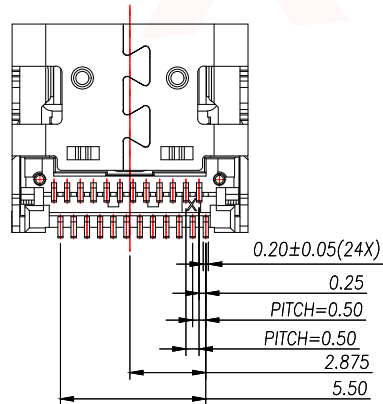
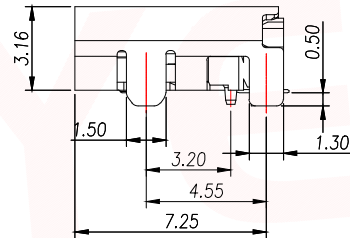
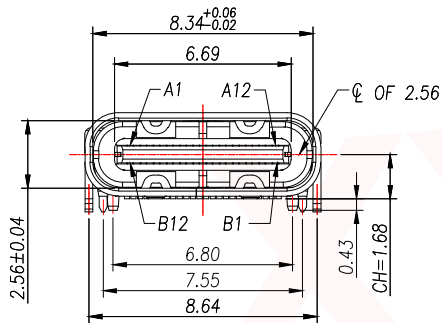


| | | | | |
|------|------|----------|------|------|
| REV. | Q'TY | ECN. NO. | APR. | DATE |
| | | | | |



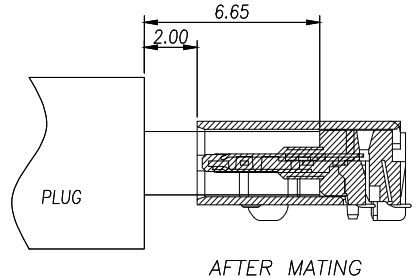
NOTE:

- MATERIAL SPECIFICATION:
 - HOUSING: PA9T, BLACK, UL94 V-0.
 - TERMINAL: COPPER ALLOY (C1814)
 - MID PLATE: STAINLESS STEEL (SUS301)
 - FRONT SHELL: STAINLESS STEEL (SUS304)
 - TOP SHELL: STAINLESS STEEL (SUS304)
- PLATING SPECIFICATION:
 - CONTACTS:
 - Ni 50u" MIN. UNDER PLATED OVER ALL.
 - GOLD-FLASH PLATED ON THE FUNCTIONAL AREA OF CONTACT.
 - GOLD-FLASH PLATED ON THE SOLDER
 - FRONT SHELL & TOP SHELL:
 - Ni 30u" MIN. UNDER PLATED OVER ALL.
 - MID PLATE:
 - CLEAR ONLY
- MECHANICAL PERFORMANCE,
 - INSERTION FORCE: 0.5~2.0kgf.
 - REMOVAL FORCE: 0.8kgf~2.0kgf.
 - DURABILITY: 10000 CYCLES.
- ELECTRICAL PERFORMANCE,
 - VOLTAGE RATING: 5 V DC/AC (RMS. max)
CURRENT RATING: 5 AMPS. FOR TOTAL VBUS/GND PINS;
1.25AMPS FOR CC PIN, 0.25 AMPS. FOR ALL OTHER CONTACT.
 - LLCR:
 - VBUS & GND PINS AND OTHER PINS: 40mΩ/PIN MAX.
 - SHIELD: 50mΩ/MAX.
 - LLCR MAX. CHANGE OF ALL PINS: 10mΩ.
 - INSULATION RESISTANCE: 100MΩ MIN
 - DIELECTRIC WITHSTAND VOLTAGE, AC 100V FOR 1 MINUTE.
- ENVIRONMENTAL PERFORMANCE:
 - OPERATING TEMPERATURE: -40°C~+85°C.
- IR REFLOW:
 - THE PEAK TEMPERATURE ON THE BOARD SHALL BE MAINTAINED FOR 10 SECONDS AT 260°C.



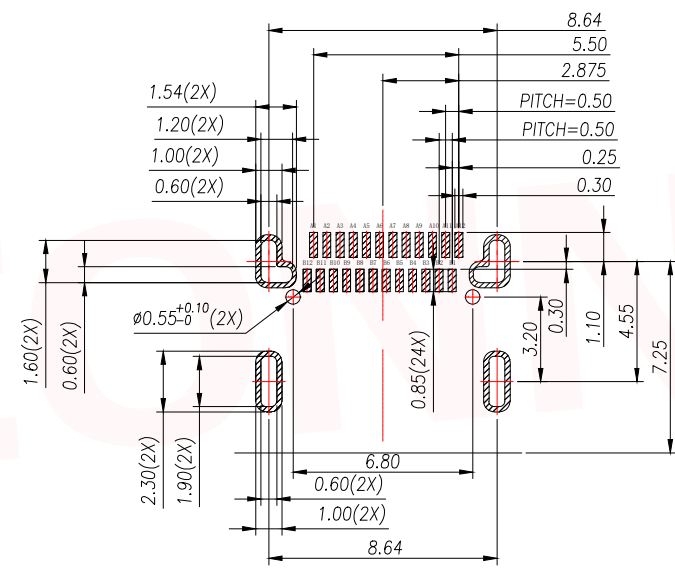
| | | | | |
|--------------------------------------|-----------|--|--------|---|
| DIMENSION IN mm | | 厦门市辛译精密电子有限公司 Xiamen XinYi Xyconn Electronics Co.,Ltd | | |
| TOLERANCE UNLESS OTHERWISE SPECIFIED | | | | |
| .X±0.35 | X.*± 5° | APR. | Alex | TITLE: USB TYPE C/F 24PIN SMT WITH POST |
| .XX±0.25 | .X.*± 3° | CHK. | Jack | DWG NO. TYPE-C-G05-1TDW |
| .XXX±0.15 | .XX.*± 1° | DRA. | Can | PROJ. CUSTOMER DRAWING |
| SIZE A4 | SCALE 1:1 | SHEET 1/3 | REV. A | |

| | | | | |
|------|------|----------|------|------|
| REV. | Q'TY | ECN. NO. | APR. | DATE |
| | | | | |



USB TYPE-C PIN ASSIGNMENTS

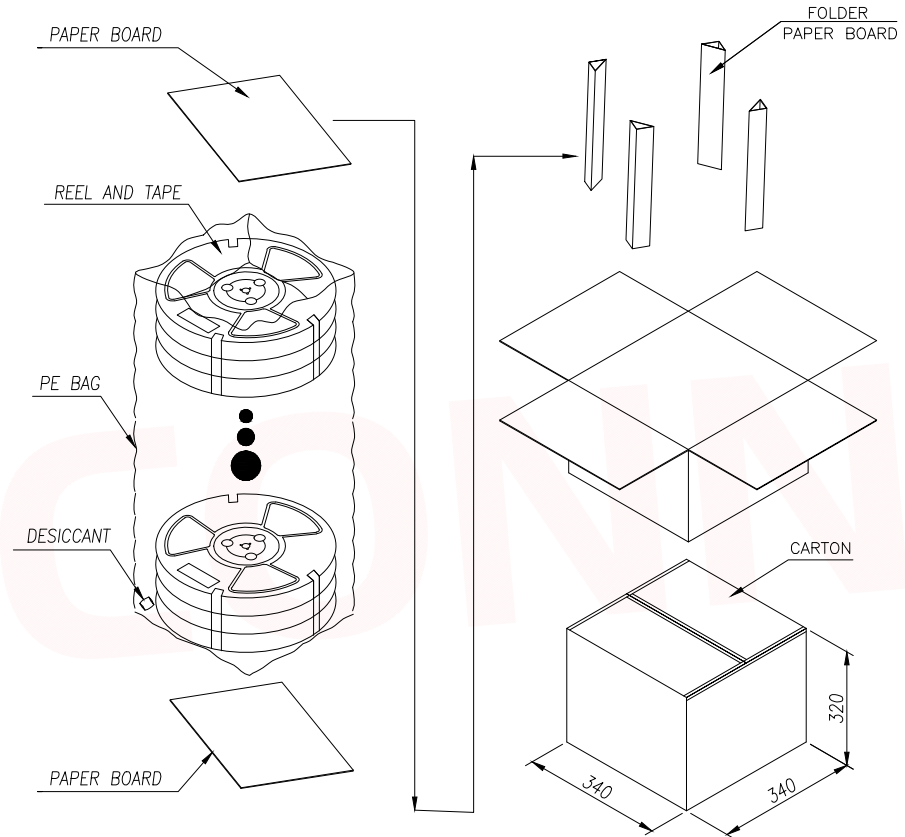
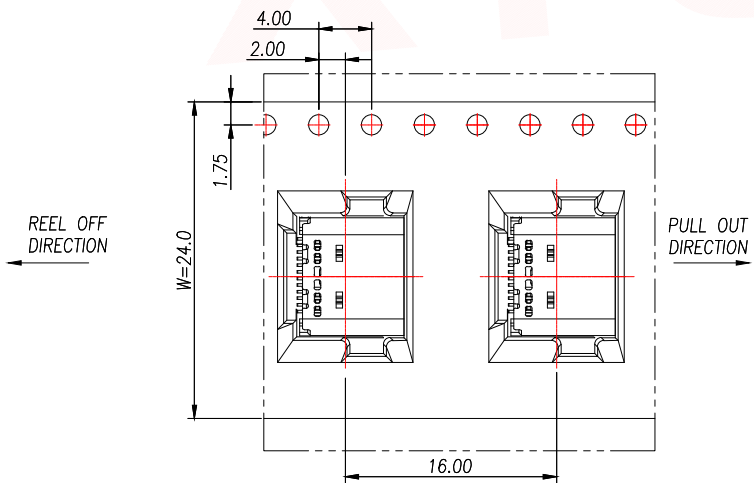
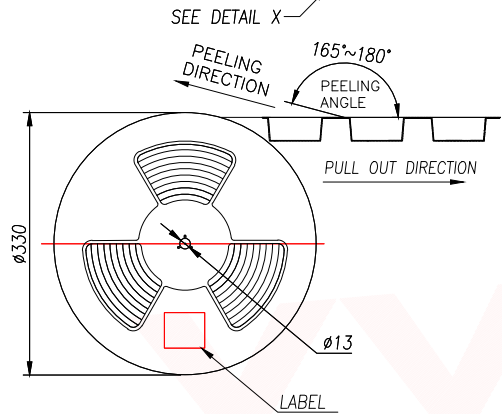
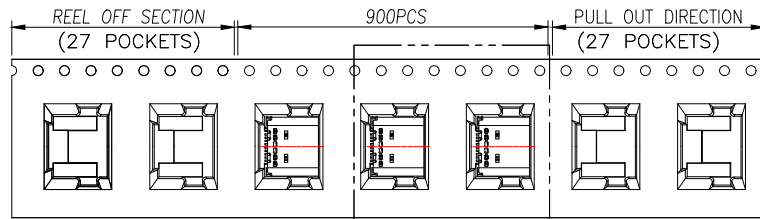
| PIN NUMBER | SIGNAL NAME | PIN NUMBER | SIGNAL NAME |
|------------|-------------|------------|-------------|
| A1 | GND | B12 | GND |
| A2 | TXp1 | B11 | RXp1 |
| A3 | TXn1 | B10 | RXn1 |
| A4 | VBUS | B9 | VBUS |
| A5 | CC1 | B8 | SBU2 |
| A6 | Dp1 | B7 | Dn2 |
| A7 | Dn1 | B6 | Dp2 |
| A8 | SBU1 | B5 | CC2 |
| A9 | VBUS | B4 | VBUS |
| A10 | RXn2 | B3 | TXn2 |
| A11 | RXp2 | B2 | TXp2 |
| A12 | GND | B1 | GND |



RECOMMENDED PCB LAYOUT(TOP VIEW)
THICKNESS 0.60MM;DEFAULT TOLERANCE:±0.05

| | | | | |
|--------------------------------------|-----------|--|---|------------------|
| DIMENSION IN mm | | 厦门市辛译精密电子有限公司 Xiamen XinYi Xyconn Electronics Co.,Ltd | | |
| TOLERANCE UNLESS OTHERWISE SPECIFIED | | | | |
| .X±0.35 | X.*± 5° | APR. Alex | TITLE: USB TYPE C/F 24PIN SMT WITH POST | |
| .XX±0.25 | .X.*± 3° | CHK. Jack | DWG NO. TYPE-C-G05-1TDW | |
| .XXX±0.15 | .XX.*± 1° | DRA. Can | PROJ. | CUSTOMER DRAWING |
| | | SIZE A4 | SCALE 1:1 | SHEET 2/3 |
| | | | | REV. A |

| | | | | |
|------|------|----------|------|------|
| REV. | Q'TY | ECN. NO. | APR. | DATE |
| | | | | |



| | | |
|-----------------|------|--------|
| | REEL | CARTON |
| CONNECTOR (PCS) | 900 | 9000 |

| | | | | |
|--------------------------------------|----------------|---|-------------------------|-----------|
| DIMENSION IN mm | | 厦门市辛译精密电子有限公司 Xiamen XinYi Xyeconn Electronics Co.,Ltd | | |
| TOLERANCE UNLESS OTHERWISE SPECIFIED | | TITLE: USB TYPE C/F 24PIN SMT WITH POST | | |
| .X \pm 0.35 | X.* \pm 5° | APR. Alex | DWG NO. TYPE-C-G05-1TDW | |
| .XX \pm 0.25 | .X.* \pm 3° | CHK. Jack | PROJ. CUSTOMER DRAWING | |
| .XXX \pm 0.15 | .XX.* \pm 1° | DRA. Can | SIZE A4 | SCALE 1:1 |
| | | SHEET 3/3 | | REV. A |