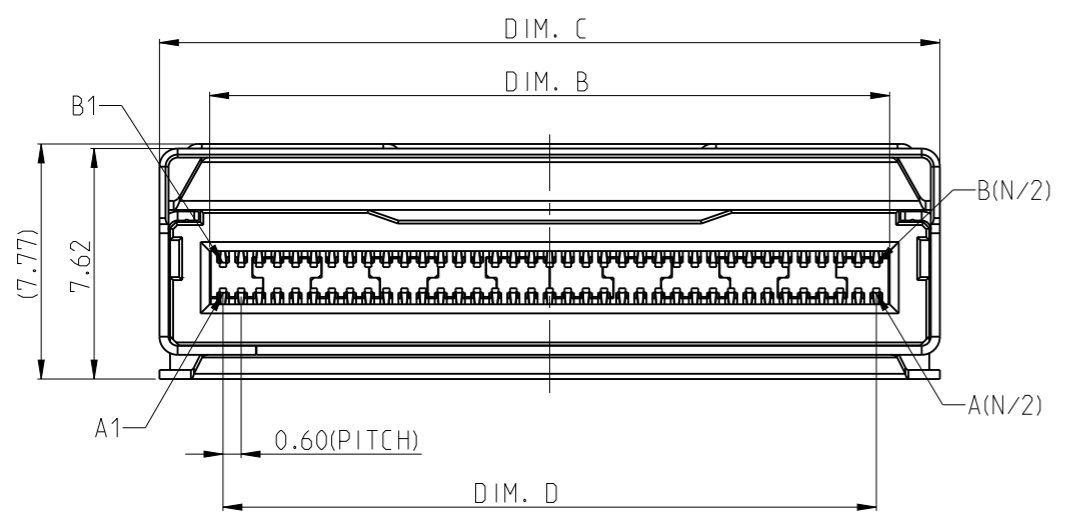


This document is the property of Amphenol Corporation and is delivered on the express condition that is not to be disclosed, reproduced or used, in whole or in part, for manufacture or sale by anyone other than Amphenol Corporation without its prior consent, and that no right is granted to disclose or to use any information in this document.

The marking on this product doesn't contain environmental hazardous materials per directive 2011/65/EU & 2015/863/EU for RoHS compliant & per IEC 61249-2-21 for Halogen-Free compliant.



REVISIONS				
SYM	ECN No.	DESCRIPTION	DATE	BY
AX17	NA	1. LATCH HOLE LOCATION CHANGE FROM 1.10mm TO 1.15mm 2. RECOMMENDED AIC MATING CARD CHAMFER CHANGE FROM C0.75 TO C0.3	12/15/2020	JOAN LU
AX18	NA	1. CAP OF 124P/148P DESIGN CHANGE FOR BIGGER NOZZLE AREA 2. ADDED A PACKAGE CODE	05/27/2021	JOAN LU
AX19	NA	CAP OF 38P/50P/74P DESIGN CHANGE	07/12/2021	JOAN LU



MINI COOL EDGE IO INTEGRATED CONNECTOR

VERTICAL TYPE

CONNECTOR SPEED
1 : PCIE GEN 4
2 : PCIE GEN 5

CHANNEL/PIN QTY
1: 38P(4X+SIDE BAND OR 6X)
2: 74P(8X+SIDE BAND OR 12X)
4: 124P(16X+SIDE BAND OR 20X)
5: 50P(6X+SIDE BAND OR 8X)
6: 148P(20X+SIDE BAND OR 24X)
7: 84P(8X+SIDE BAND OR 13X+SIDE BAND)

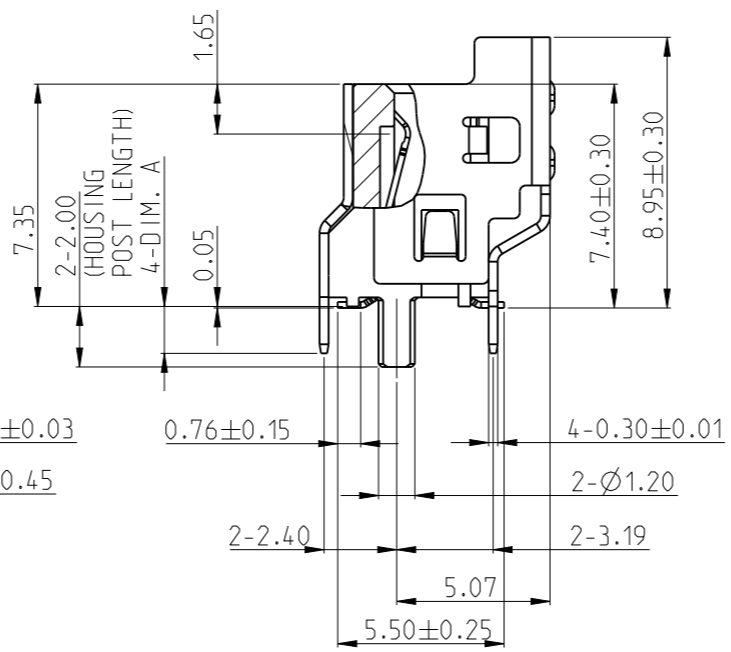
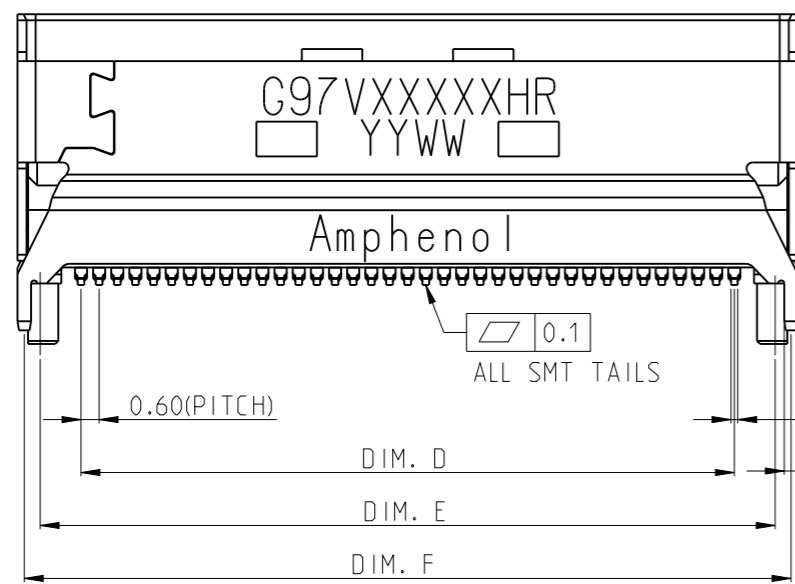
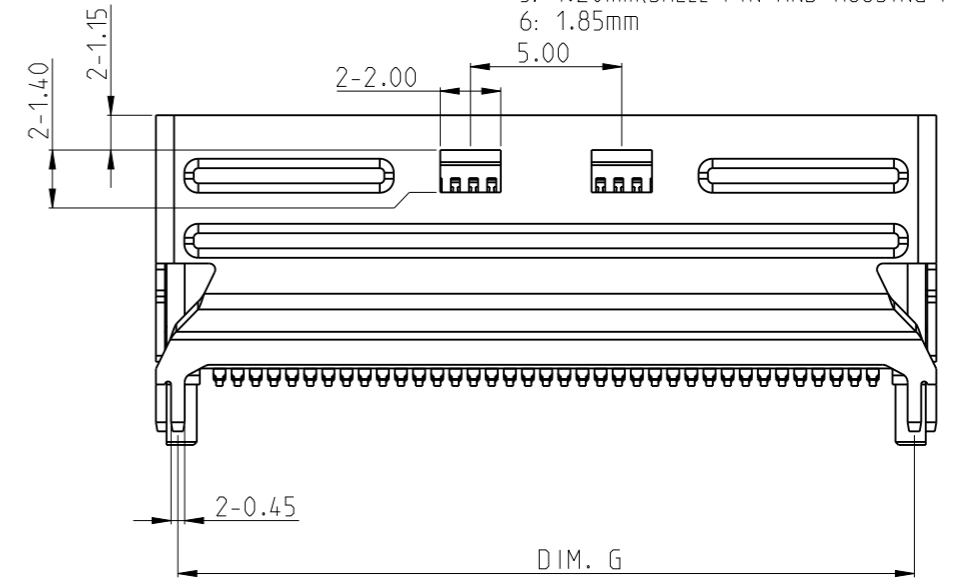
CONTACT FINISH
2: 15u" GOLD
3: 30u" GOLD

COMPLIANT CODE
HR: HALOGEN-FREE & RoHS

VARIATION CODE
BLANK: STANDARD

PACKING CODE
2: TAPE AND REEL(WITH CAP)
3: TAPE AND REEL(W/O PICK UP)
4: TAPE AND REEL
(WITH MYLAR, FOR G97VX7XX4HR ONLY)
5: TAPE AND REEL WITH CUSTOMIZED

SHELL PIN LENGTH OPTION(DIM.A)
1: 1.50mm
2: 2.20mm
3: 3.00mm
4: 4.20mm
5: 1.20mm(SHELL PIN AND HOUSING POST)
6: 1.85mm

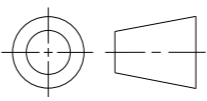


PART NUMBER	POS. (N)	DIM. B	DIM. C	DIM. D	DIM. E	DIM. F	DIM. G
G97VX1XXXXHR	38	11.68	15.00	10.80	13.50	14.55	13.55
G97VX5XXXXHR	50	15.28	18.60	14.40	17.10	18.15	17.15
G97VX2XXXXHR	74	22.48	25.80	21.60	24.30	25.35	24.35

NOTES:
1. MATERIALS:
PLASTICS : HIGH TEMPERATURE THERMOPLASTIC UL94-0,COLOR: BLACK
SHELL : STAINLESS
CONTACT: COPPER ALLOY
2: FINISH
TERMINAL : CONTACT AREA : SELECTED GOLD PLATING.
SOLDER AREA : MATTE TIN PLATING 100u"
UNDER PLATING: NICKEL PLATING 50u"MIN OVER ALL
SHELL : UNDER PLATING: ELECTROLESS NICKEL PLATING 50u"MIN OVER ALL
3. THIS PRODUCT DOESN'T CONTAIN ENVIRONMENTAL HAZARDOUS MATERIALS PER DIRECTIVE 2011/65/EU & 2015/863/EU FOR RoHS AND PER IEC 61249-2-21 FOR HALOGEN FREE.
4. PRODUCT SPEC REFER TO PS-7755

TOLERANCE	DRAWN	APPROVALS	DATE	TITLE	UNIT	SIZE	PART No.
X. ±0.30	DESIGNED	JOAN LU	2021-07-12	MINI COOL EDGE IO INTEGRATED CONNECTOR 0.6 PITCH. VERTICAL FOR PCIE. SMT TYPE	mm	A3	G97VXXXXHR
X.X ±0.20	CHECKED	Sondra Sang	2021-07-16				
X.XX ±0.10	APPROVED	Hank Hsu	2021-07-19				
X.XXX ±0.10	DWG TYPE	CUST DWG	PROJECT CODE TXXX				
ANGULAR ±2°					SCALE	SHEET	DWG No.
UNLESS OTHERWISE SPECIFIED					NA	1 OF 12	G97VXXXXHR

Amphenol®
Amphenol Corporation
Amphenol Taiwan Corporation



REV. AX19

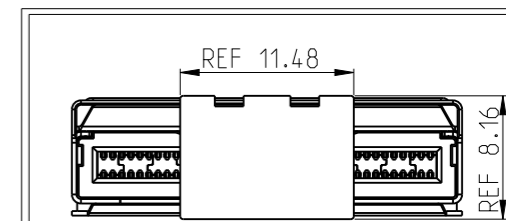
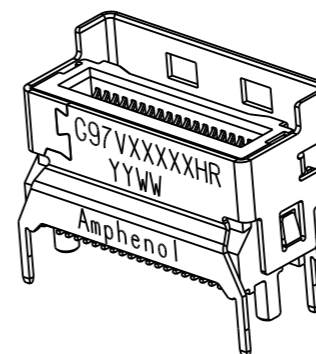
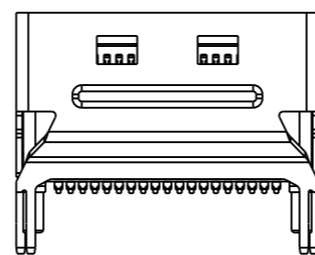
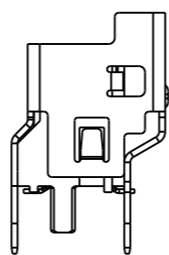
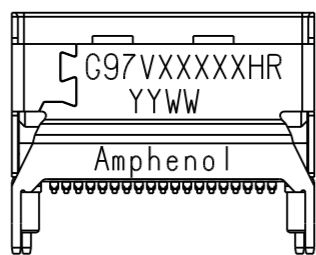
This document is the property of Amphenol Corporation and is delivered on the express condition that is not to be disclosed, reproduced or used, in whole or in part, for manufacture or sale by anyone other than Amphenol Corporation without its prior consent, and that no right is granted to disclose or to use any information in this document.

The marking on this product doesn't contain environmental hazardous materials per directive 2011/65/EU & 2015/863/EU for RoHS compliant & per IEC 61249-2-21 for Halogen-Free compliant.

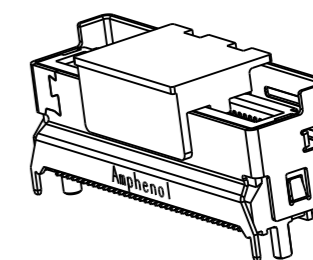
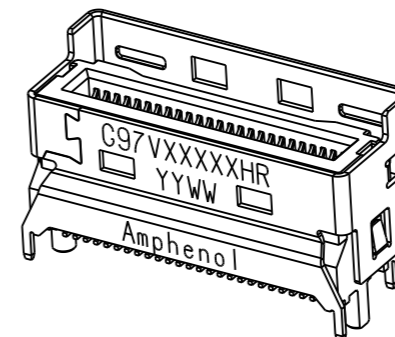
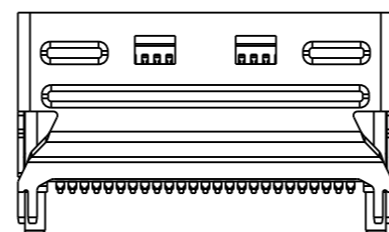
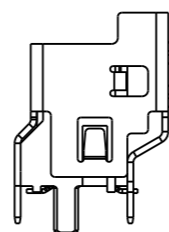
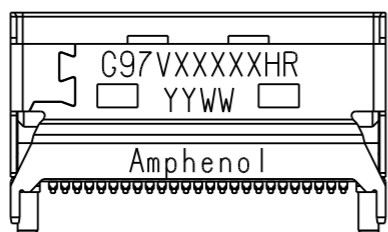


REVISIONS				
SYM	ECN No.	DESCRIPTION	DATE	BY
AX17	NA	1. LATCH HOLE LOCATION CHANGE FROM 1.10mm TO 1.15mm 2. RECOMMENDED AIC MATING CARD CHAMFER CHANGE FROM C0.75 TO C0.3	12/15/2020	JOAN LU
AX18	NA	1. CAP OF 124P/148P DESIGN CHANGE FOR BIGGER NOZZLE AREA 2. ADDED A PACKAGE CODE	05/27/2021	JOAN LU
AX19	NA	CAP OF 38P/50P/74P DESIGN CHANGE	07/12/2021	JOAN LU

G97VX1XXHR

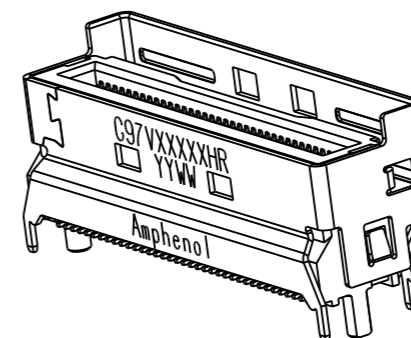
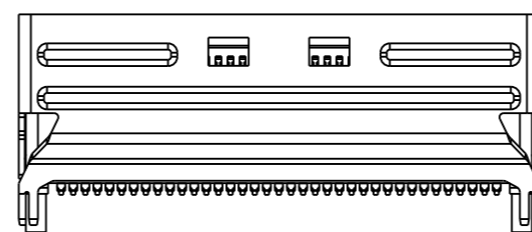
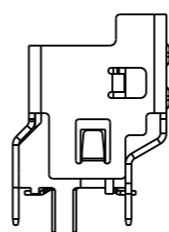
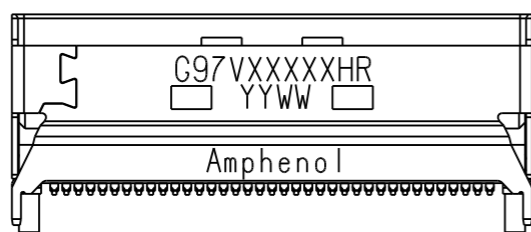


G97VX5XXHR



CAP DIMENSION
APPLCABLE PART NUMBER:
G97VX1XX2HR
G97VX2XX2HR
G97VX5XX2HR

G97VX2XXHR



TOLERANCE	DRAWN	APPROVALS	DATE	TITLE				
X. X.X ±0.30 X.XX ±0.20 X.XXX ±0.10	DESIGNED	JOAN LU	2021-07-12	MINI COOL EDGE IO INTEGRATED CONNECTOR 0.6 PITCH. VERTICAL FOR PCIE. SMT TYPE				
	CHECKED	Sondra Sang	2021-07-16					
	APPROVED	Hank Hsu	2021-07-19		UNIT	mm	SIZE	A3
ANGULAR ±2°	DWG TYPE	CUST DWG	PROJECT CODE	TXXX	SCALE	NA	SHEET	2 OF 12
UNLESS OTHERWISE SPECIFIED							PART No.	G97VXXXXXHR
							DWG No.	G97VXXXXXHR
							REV.	AX19

Amphenol®

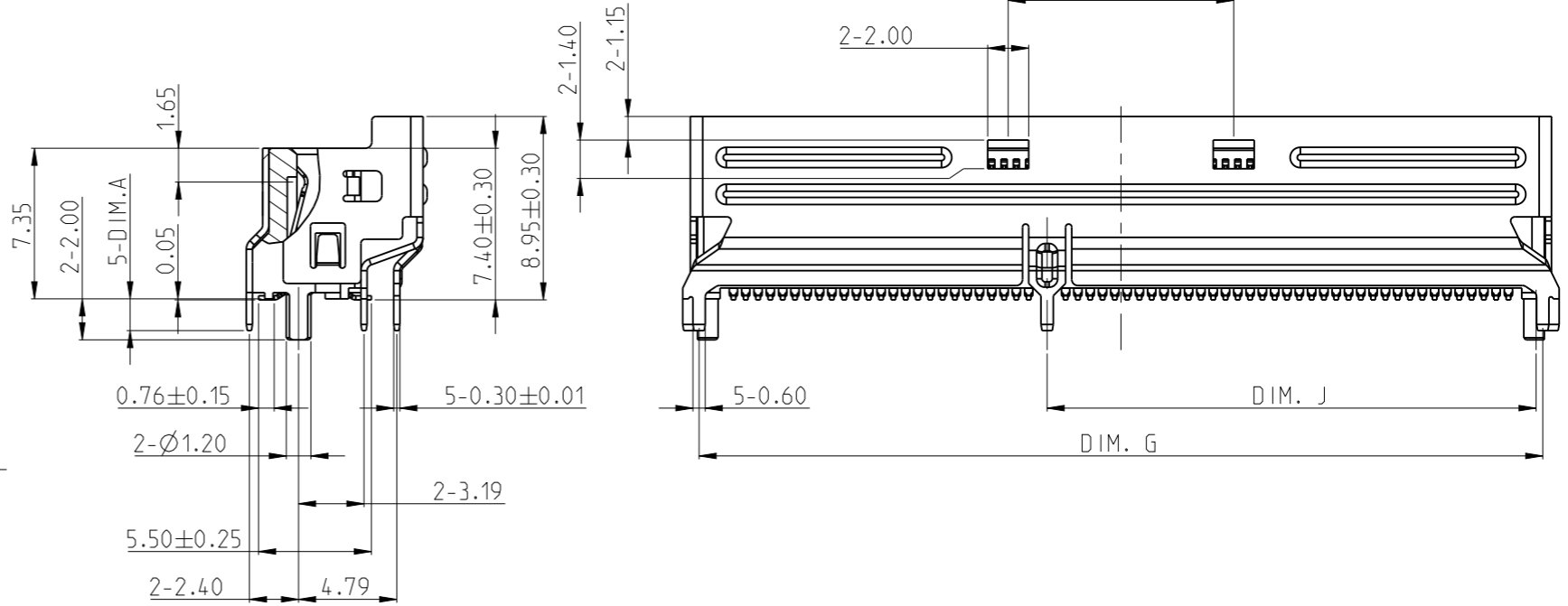
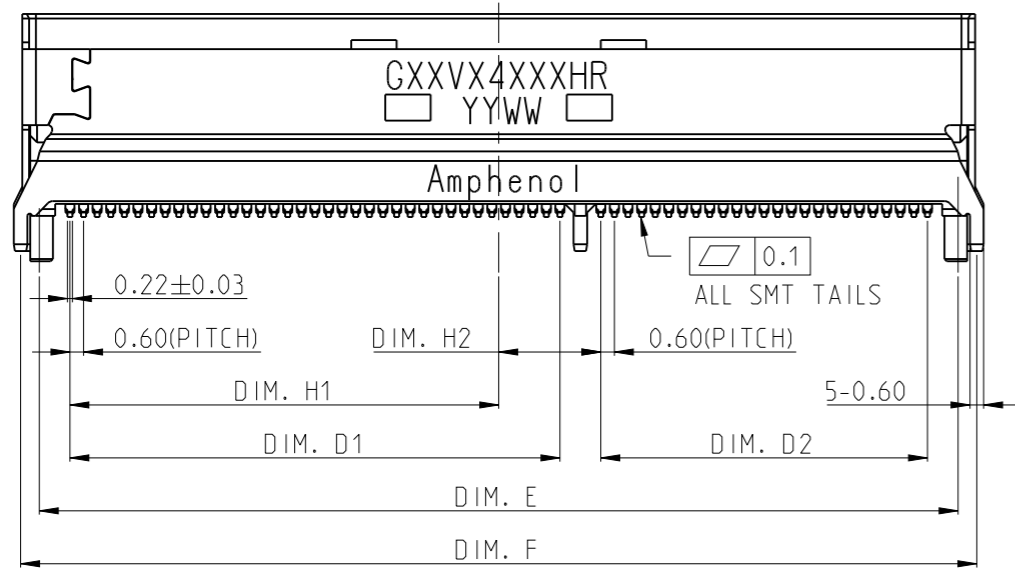
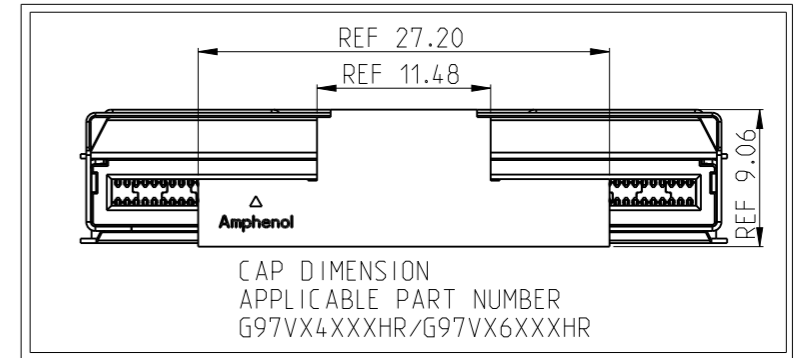
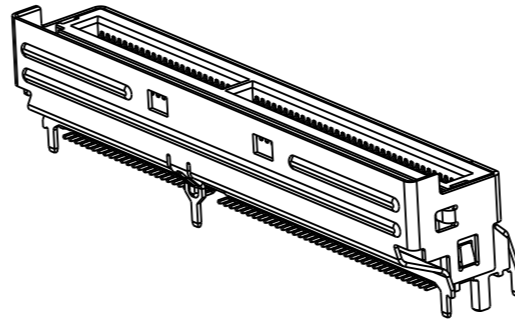
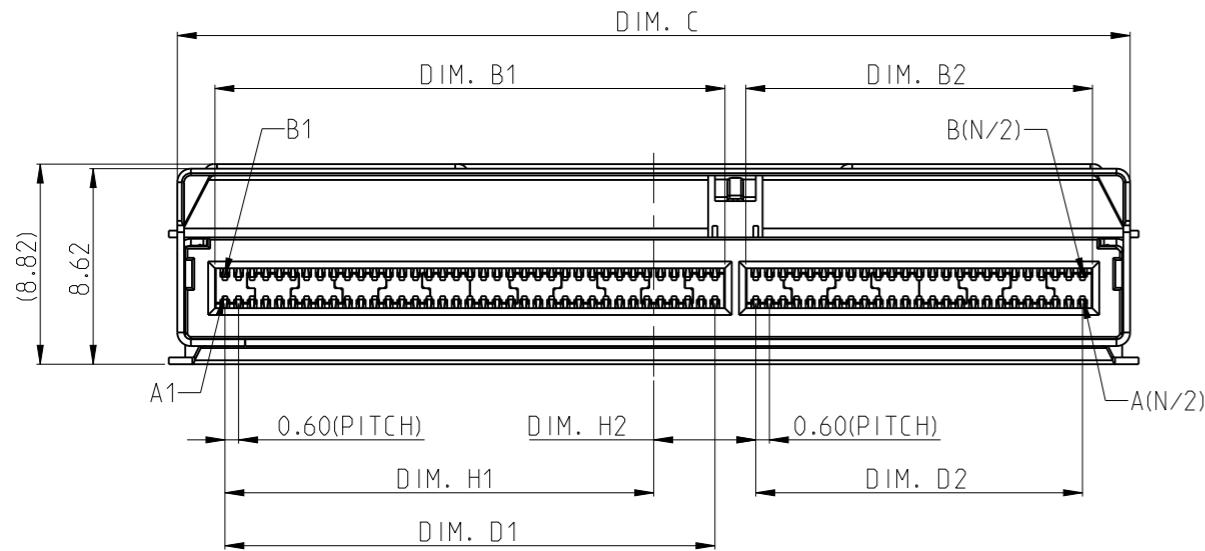
Amphenol Corporation
Amphenol Taiwan Corporation

This document is the property of Amphenol Corporation and is delivered on the express condition that is not to be disclosed, reproduced or used, in whole or in part, for manufacture or sale by anyone other than Amphenol Corporation without its prior consent, and that no right is granted to disclose or to use any information in this document.

The marking on this product doesn't contain environmental hazardous materials per directive 2011/65/EU & 2015/863/EU for RoHS compliant & per IEC 61249-2-21 for Halogen-Free compliant.



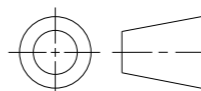
REVISIONS				
SYM	ECN No.	DESCRIPTION	DATE	BY
AX17	NA	1. LATCH HOLE LOCATION CHANGE FROM 1.10mm TO 1.15mm 2. RECOMMENDED AIC MATING CARD CHAMFER CHANGE FROM C0.75 TO C0.3	12/15/2020	JOAN LU
AX18	NA	1. CAP OF 124P/148P DESIGN CHANGE FOR BIGGER NOZZLE AREA 2. ADDED A PACKAGE CODE	05/27/2021	JOAN LU
AX19	NA	CAP OF 38P/50P/74P DESIGN CHANGE	07/12/2021	JOAN LU



PART NUMBER	POS. (N)	DIM. B1	DIM. B2	DIM. C	DIM. D1	DIM. D2	DIM. E	DIM. F	DIM. G	DIM. H1	DIM. H2	DIM. J
G97VX4XXXHR	124	22.48	15.28	42.00	21.60	14.40	40.50	42.15	41.15	18.90	4.50	23.85
G97VX6XXXHR	148	22.48	22.48	49.20	21.60	21.60	47.70	49.35	48.35	22.50	0.90	23.85

TOLERANCE	DRAWN	APPROVALS	DATE	TITLE	UNIT	SIZE	PART No.
X. X.X ±0.30 X.XX ±0.20 X.XXX ±0.10	DESIGNED	JOAN LU	2021-07-12	MINI COOL EDGE IO INTEGRATED CONNECTOR 0.6 PITCH, VERTICAL FOR PCIE. SMT TYPE	mm	A3	G97VXXXXXHR
	CHECKED	Sondra Sang	2021-07-16				
	APPROVED	Hank Hsu	2021-07-19				
ANGULAR ±2°	DWG TYPE	CUST DWG	PROJECT CODE		SCALE	SHEET	DWG No.
UNLESS OTHERWISE SPECIFIED			TXXX		NA	3 OF 12	G97VXXXXXHR

Amphenol®
Amphenol Corporation
Amphenol Taiwan Corporation



UNIT mm
SCALE NA
SHEET 3 OF 12

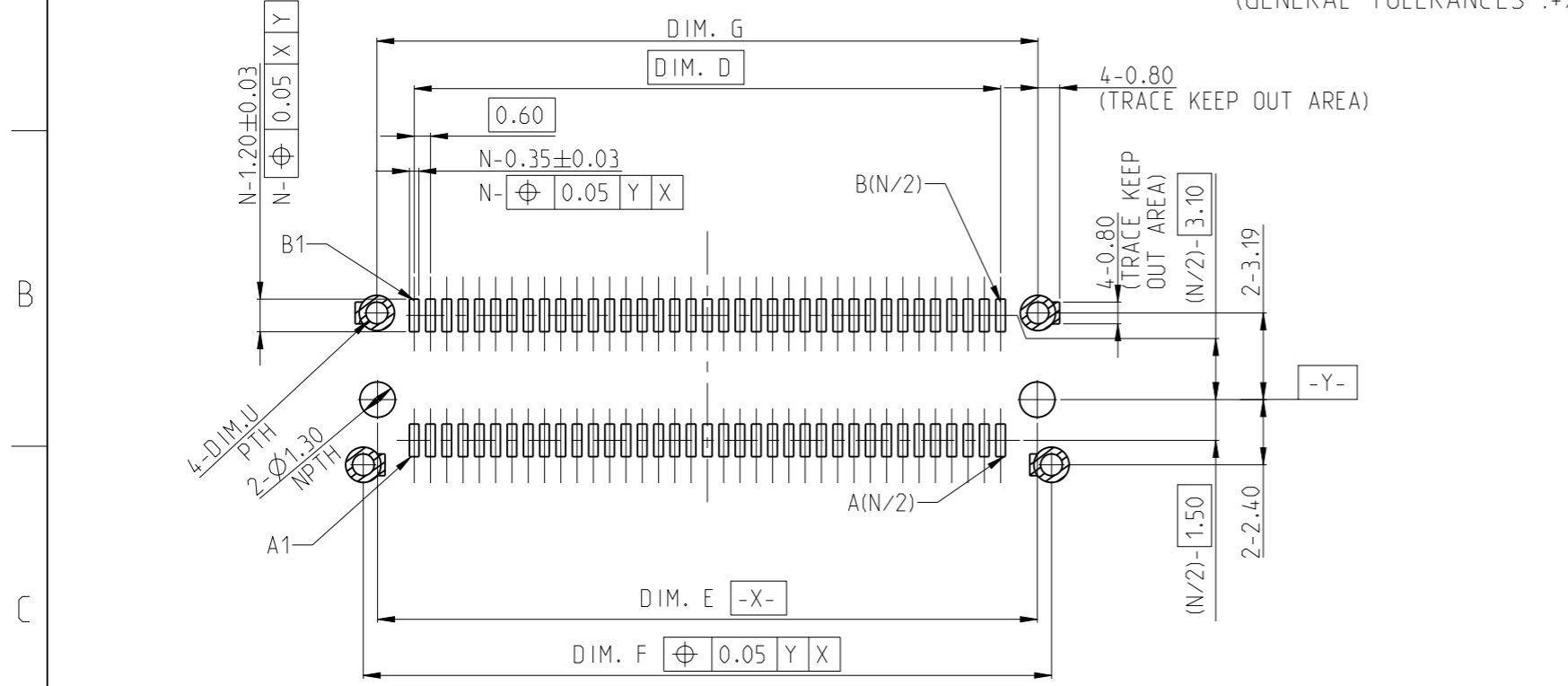
PART No. G97VXXXXXHR
DWG No. G97VXXXXXHR
REV. AX19

This document is the property of Amphenol Corporation and is delivered on the express condition that it is not to be disclosed, reproduced, or used in whole or in part, for any purpose other than that for which it was originally intended, without the prior consent of Amphenol Corporation. The marking on this product does not contain environmental hazardous materials per directive 2011/65/EU & 2012/19/EU for RoHS compliance and 2015/863/EU for REACH compliance.



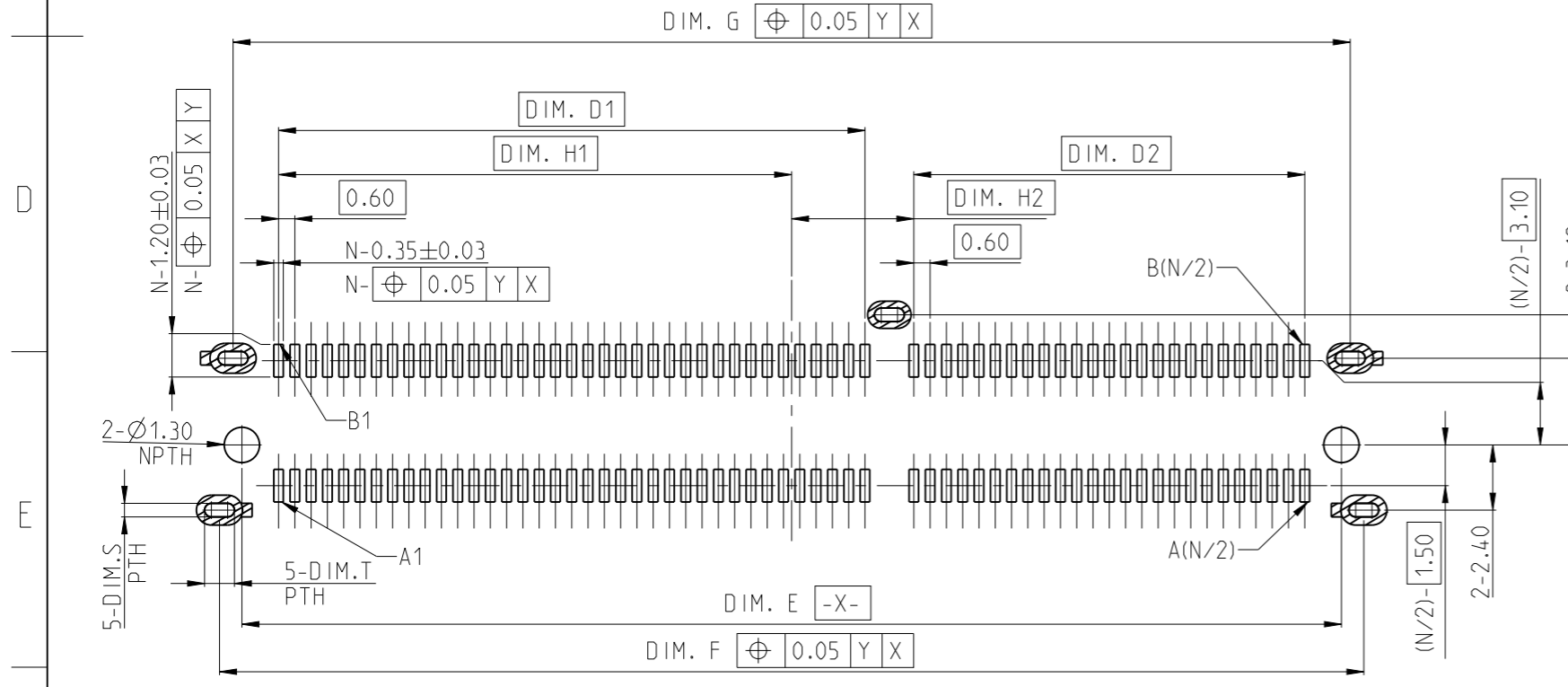
RECOMMENDED PCB LAYOUT
(GENERAL TOLERANCES :+/-0.05)

REVISIONS				
SYM	ECN No.	DESCRIPTION	DATE	BY
AX17	NA	1. LATCH HOLE LOCATION CHANGE FROM 1.10mm TO 1.15mm 2. RECOMMENDED AIC MATING CARD CHAMFER CHANGE FROM C0.75 TO C0.3	12/15/2020	JOAN LU
AX18	NA	1. CAP OF 124P/148P DESIGN CHANGE FOR BIGGER NOZZLE AREA 2. ADDED A PACKAGE CODE	05/27/2021	JOAN LU
AX19	NA	CAP OF 38P/50P/74P DESIGN CHANGE	07/12/2021	JOAN LU



PART NUMBER	POS. (N)	DIM. D	DIM. E	DIM. F	DIM. G
G97VX1XXXXHR	38	10.80	13.50	14.55	13.55
G97VX5XXXXHR	50	14.40	17.10	18.15	17.15
G97VX2XXXXHR	74	21.60	24.30	25.35	24.35

PART NUMBER (APPLY TO 38P/74P/50P)	DIM. U
G97VXXXX1XHR	0.8
G97VXXXX2XHR	
G97VXXXX3XHR	
G97VXXXX4XHR	0.95



PART NUMBER	POS. (N)	DIM. D1	DIM. D2	DIM. E	DIM. F	DIM. G	DIM. H1	DIM. H2
G97VX4XXXXHR	124	21.60	14.40	40.50	42.15	41.15	18.90	4.50
G97VX6XXXXHR	148	21.60	21.60	47.70	49.35	48.35	22.50	0.90

PART NUMBER	POS. (N)	DIM. S	DIM. T
G97VX4XX1XHR	124	0.5	1.1
G97VX4XX2XHR			
G97VX4XX3XHR			
G97VX4XX4XHR	148	0.65	1.3
G97VX6XXXXHR			

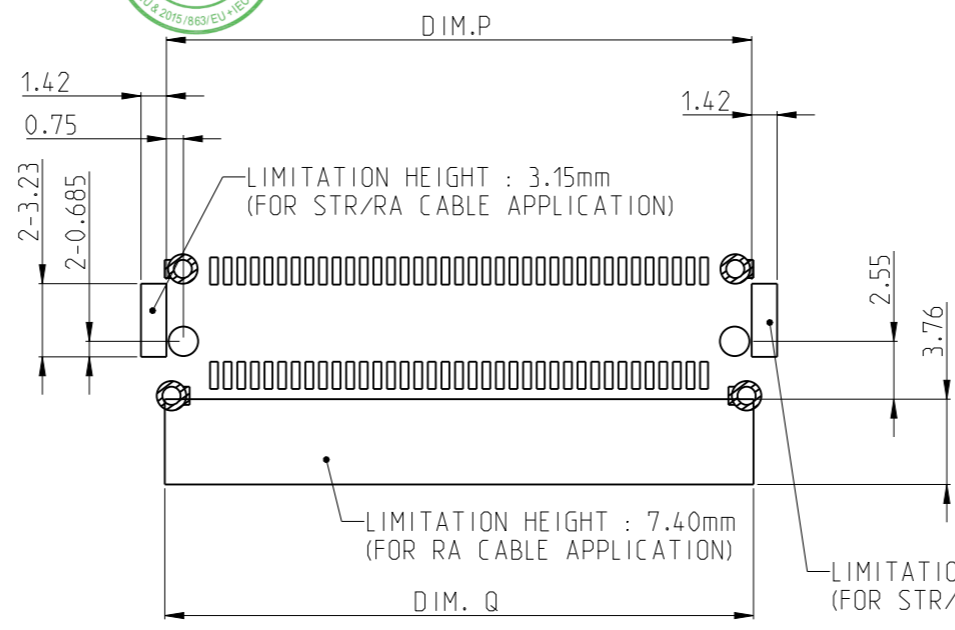
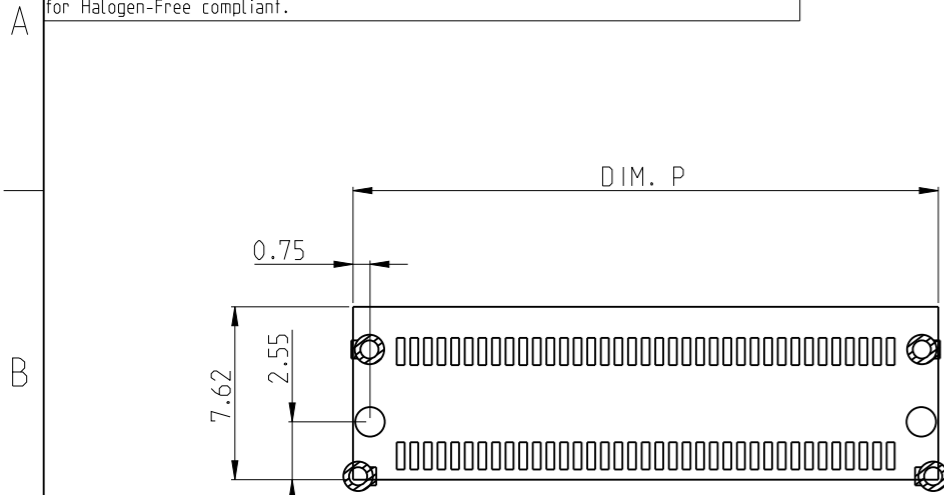
<p>TOLERANCE</p> <p>X. ±0.30</p> <p>X.X ±0.20</p> <p>X.XX ±0.10</p> <p>ANGULAR ±2°</p> <p>UNLESS OTHERWISE SPECIFIED</p>	<p>DRAWN</p> <p>DESIGNED</p> <p>CHECKED</p> <p>APPROVED</p> <p>DWG TYPE</p>	<p>APPROVALS</p> <p>JOAN LU</p> <p>Sondra Sang</p> <p>Hank Hsu</p> <p>CUST DWG</p>	<p>DATE</p> <p>2021-07-12</p> <p>2021-07-16</p> <p>2021-07-19</p> <p>TXXX</p>	<p>TITLE</p> <p>MINI COOL EDGE IO INTEGRATED CONNECTOR 0.6 PITCH, VERTICAL FOR PCIE, SMT TYPE</p>	<p>UNIT mm</p> <p>SCALE NA</p> <p>SIZE A3</p> <p>SHEET 5 OF 12</p>	<p>Amphenol®</p> <p>Amphenol Corporation</p> <p>Amphenol Taiwan Corporation</p> <p>PART No. G97VXXXXXHR</p> <p>DWG No. G97VXXXXXHR</p> <p>REV. AX19</p>

This document is the property of Amphenol Corporation and is delivered on the express condition that is not to be disclosed, reproduced or used, in whole or in part, for manufacture or sale by anyone other than Amphenol Corporation without its prior consent, and that no right is granted to disclose or to use any information in this document.

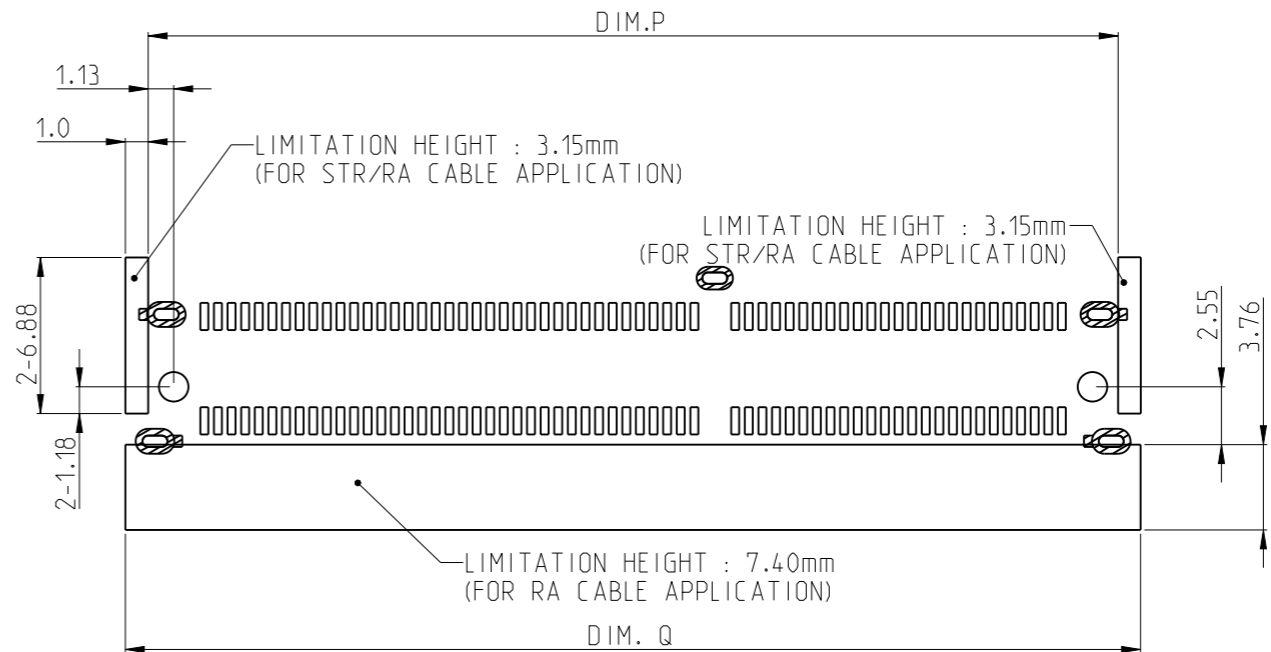
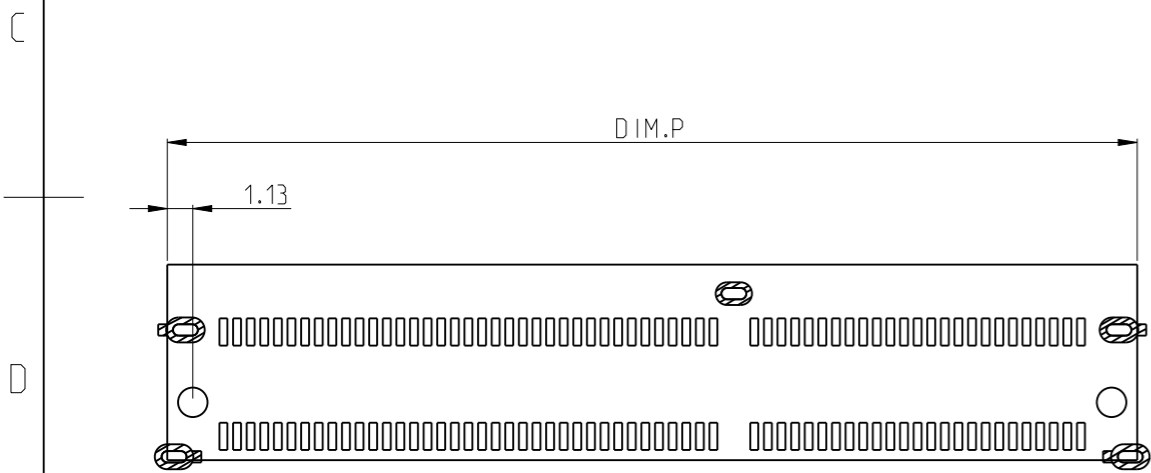
The marking on this product doesn't contain environmental hazardous materials per directive 2011/65/EU & 2015/863/EU for RoHS compliant & per IEC 61249-2-21 for Halogen-Free compliant.



REVISIONS				
SYM	ECN No.	DESCRIPTION	DATE	BY
AX17	NA	1. LATCH HOLE LOCATION CHANGE FROM 1.10mm TO 1.15mm 2. RECOMMENDED AIC MATING CARD CHAMFER CHANGE FROM C0.75 TO C0.3	12/15/2020	JOAN LU
AX18	NA	1. CAP OF 124P/148P DESIGN CHANGE FOR BIGGER NOZZLE AREA 2. ADDED A PACKAGE CODE	05/27/2021	JOAN LU
AX19	NA	CAP OF 38P/50P/74P DESIGN CHANGE	07/12/2021	JOAN LU



PART NUMBER	POS. (N)	DIM. P	DIM. Q
G97VX1XXXXHR	38	15.00	15.15
G97VX5XXXXHR	50	18.60	18.75
G97VX2XXXXHR	74	25.80	25.95



PART NUMBER	POS. (N)	DIM. P	DIM. Q
G97VX4XXXXHR	124	42.75	44.75
G97VX6XXXXHR	148	49.95	51.95

TOLERANCE	DRAWN	APPROVALS	DATE	TITLE						
X. X.X ±0.30 X.XX ±0.20 X.XXX ±0.10	DESIGNED	JOAN LU	2021-07-12	MINI COOL EDGE IO INTEGRATED CONNECTOR 0.6 PITCH. VERTICAL FOR PCIE. SMT TYPE	 Amphenol Corporation Amphenol Taiwan Corporation					
	CHECKED	Sondra Sang	2021-07-16							
	APPROVED	Hank Hsu	2021-07-19							
ANGULAR ±2°	DWG TYPE	CUST DWG	PROJECT CODE	TXXX	UNIT	mm	SIZE	A3	PART No.	G97VXXXXXHR
UNLESS OTHERWISE SPECIFIED					SCALE	NA	SHEET	6 OF 12	DWG No.	G97VXXXXXHR
									REV.	AX19

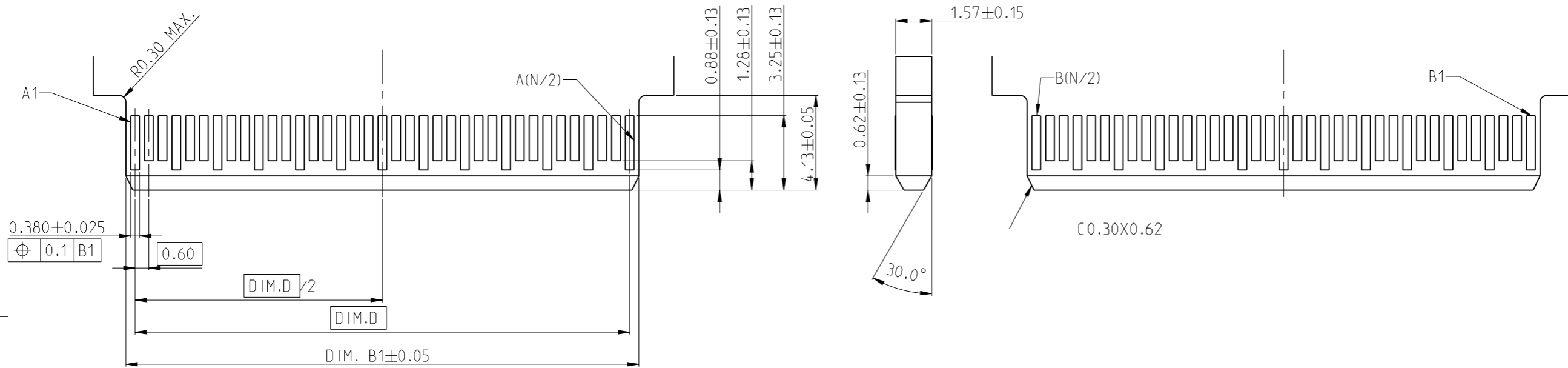
This document is the property of Amphenol Corporation and is delivered on the express condition that is not to be disclosed, reproduced or used, in whole or in part, for manufacture or sale by anyone other than Amphenol Corporation without its prior consent, and that no right is granted to disclose or to use any information in this document.

The marking on this product doesn't contain environmental hazardous materials per directive 2011/65/EU & 2015/863/EU for RoHS compliant & per IEC 61249-2-21 for Halogen-Free compliant.



REVISIONS				
SYM	ECN No.	DESCRIPTION	DATE	BY
AX17	NA	1. LATCH HOLE LOCATION CHANGE FROM 1.10mm TO 1.15mm 2. RECOMMENDED AIC MATING CARD CHAMFER CHANGE FROM C0.75 TO C0.3	12/15/2020	JOAN LU
AX18	NA	1. CAP OF 124P/148P DESIGN CHANGE FOR BIGGER NOZZLE AREA 2. ADDED A PACKAGE CODE	05/27/2021	JOAN LU
AX19	NA	CAP OF 38P/50P/74P DESIGN CHANGE	07/12/2021	JOAN LU

RECOMMENDED AIC MATING CARD DIMENSIONS



PART NUMBER	POS. (N)	DIM. B1	DIM. D
G97VX1XXXXHR	38	11.6	10.80
G97VX5XXXXHR	50	15.2	14.40
G97VX2XXXXHR	74	22.4	21.6

TOLERANCE	DRAWN	APPROVALS	DATE	TITLE	Amphenol® Amphenol Corporation Amphenol Taiwan Corporation								
X. X.X ±0.30 X.XX ±0.20 X.XXX ±0.10	DESIGNED	JOAN LU	2021-07-12	MINI COOL EDGE IO INTEGRATED CONNECTOR 0.6 PITCH. VERTICAL FOR PCIE. SMT TYPE		UNIT	mm	SIZE	A3	PART No.	G97VXXXXXHR		
ANGULAR ±2°	CHECKED	Sondra Sang	2021-07-16			SCALE	NA	SHEET	8 OF 12	DWG No.	G97VXXXXXHR	REV.	AX19
UNLESS OTHERWISE SPECIFIED	DWG TYPE	CUST DWG	PROJECT CODE			TXXX							

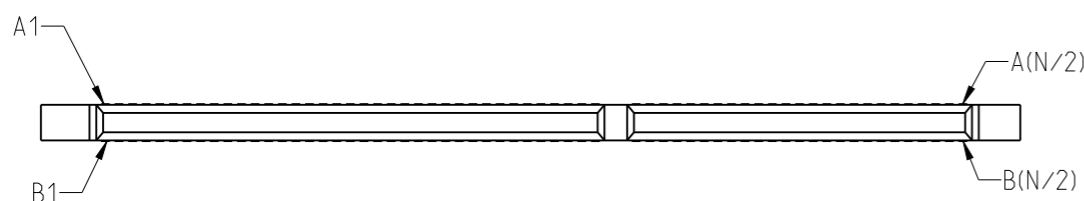
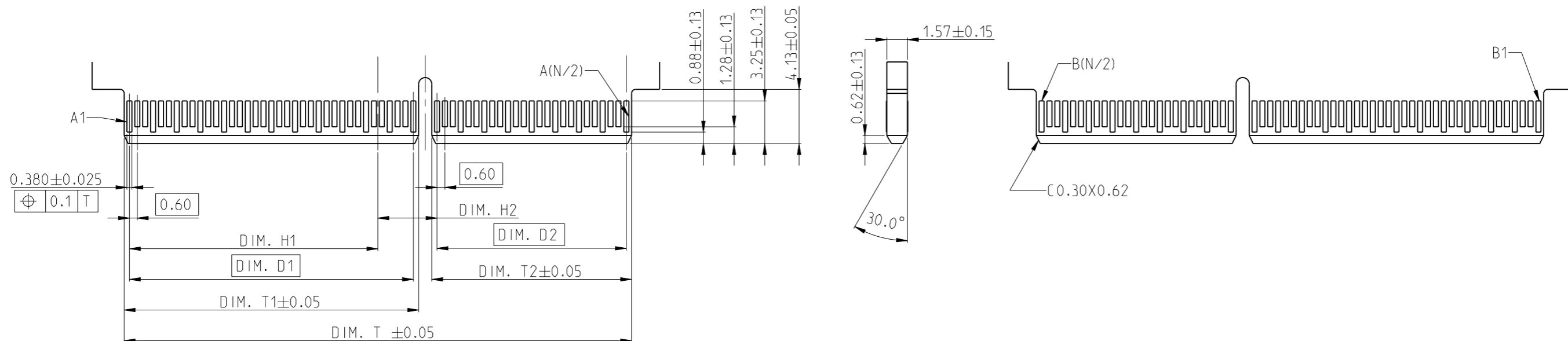
This document is the property of Amphenol Corporation and is delivered on the express condition that is not to be disclosed, reproduced or used, in whole or in part, for manufacture or sale by anyone other than Amphenol Corporation without its prior consent, and that no right is granted to disclose or to use any information in this document.

The marking on this product doesn't contain environmental hazardous materials per directive 2011/65/EU & 2015/863/EU for RoHS compliant & per IEC 61249-2-21 for Halogen-Free compliant.



REVISIONS				
SYM	ECN No.	DESCRIPTION	DATE	BY
AX17	NA	1. LATCH HOLE LOCATION CHANGE FROM 1.10mm TO 1.15mm 2. RECOMMENDED AIC MATING CARD CHAMFER CHANGE FROM C0.75 TO C0.3	12/15/2020	JOAN LU
AX18	NA	1. CAP OF 124P/148P DESIGN CHANGE FOR BIGGER NOZZLE AREA 2. ADDED A PACKAGE CODE	05/27/2021	JOAN LU
AX19	NA	CAP OF 38P/50P/74P DESIGN CHANGE	07/12/2021	JOAN LU

RECOMMENDED AIC MATING CARD DIMENSIONS



PART NUMBER	POS. (N)	DIM. D1	DIM. D2	DIM. H1	DIM. H2	DIM. T	DIM. T1	DIM. T2
G97VX4XXXXHR	124	21.60	14.40	18.90	4.50	38.6	22.4	15.2
G97VX6XXXXHR	148	21.60	21.60	22.50	0.90	45.8	22.4	22.4

TOLERANCE	DRAWN	APPROVALS	DATE	TITLE	UNIT	SIZE	PART No.
X. ±0.30	DESIGNED	JOAN LU	2021-07-12	MINI COOL EDGE IO INTEGRATED CONNECTOR 0.6 PITCH. VERTICAL FOR PCIE. SMT TYPE	mm	A3	G97VXXXXXHR
X.XX ±0.20	CHECKED	Sondra Sang	2021-07-16				
X.XXX ±0.10	APPROVED	Hank Hsu	2021-07-19				
ANGULAR ±2°	DWG TYPE	CUST DWG	PROJECT CODE				
UNLESS OTHERWISE SPECIFIED			TXXX		SCALE	9 OF 12	DWG No. G97VXXXXXHR
					NA		REV. AX19

Amphenol®

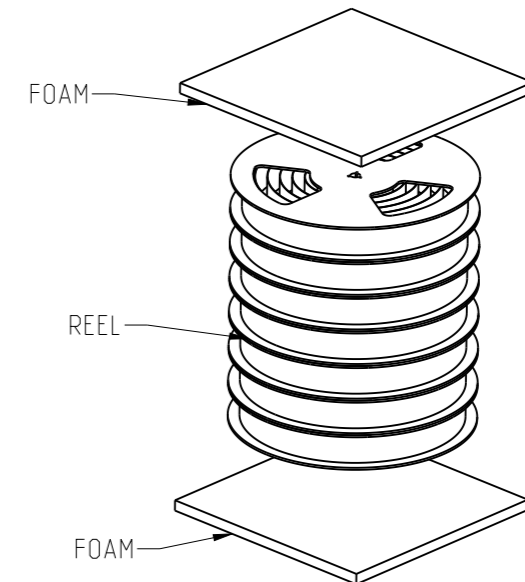
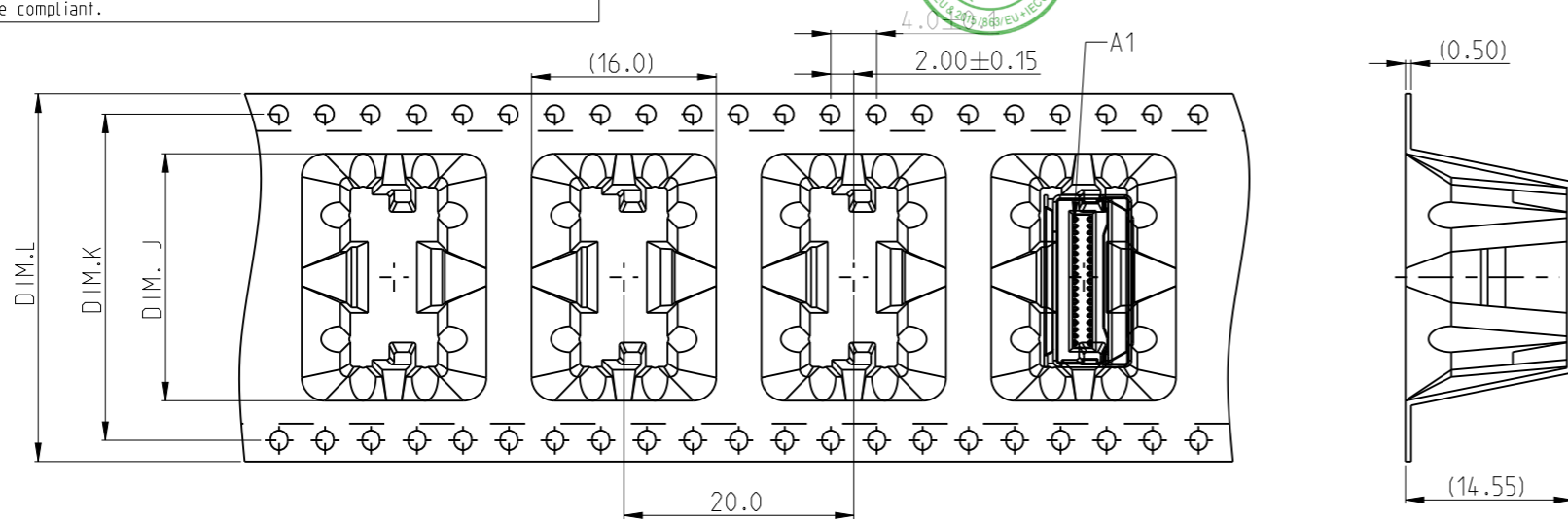
Amphenol Corporation
Amphenol Taiwan Corporation

This document is the property of Amphenol Corporation and is delivered on the express condition that is not to be disclosed, reproduced or used, in whole or in part, for manufacture or sale by anyone other than Amphenol Corporation without its prior consent, and that no right is granted to disclose or to use any information in this document.

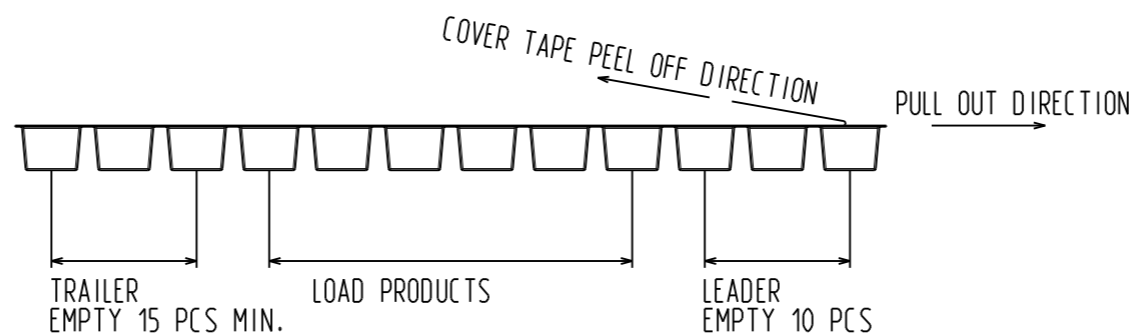
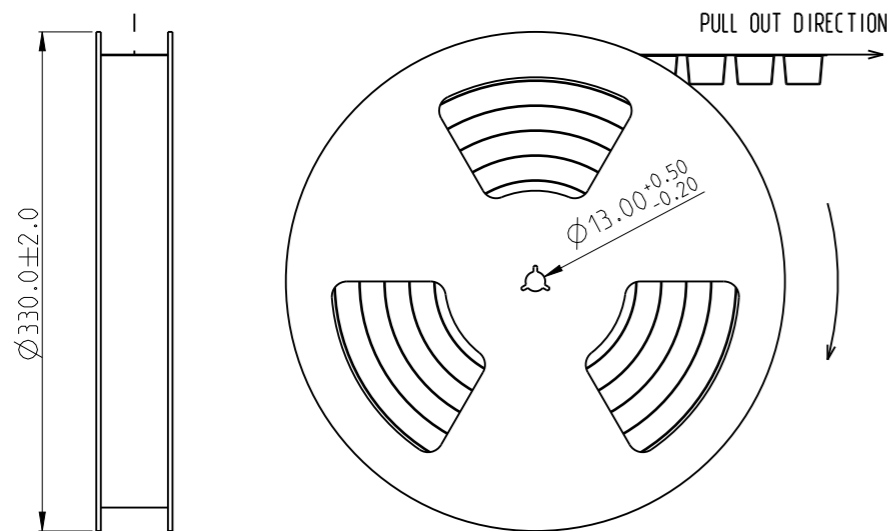
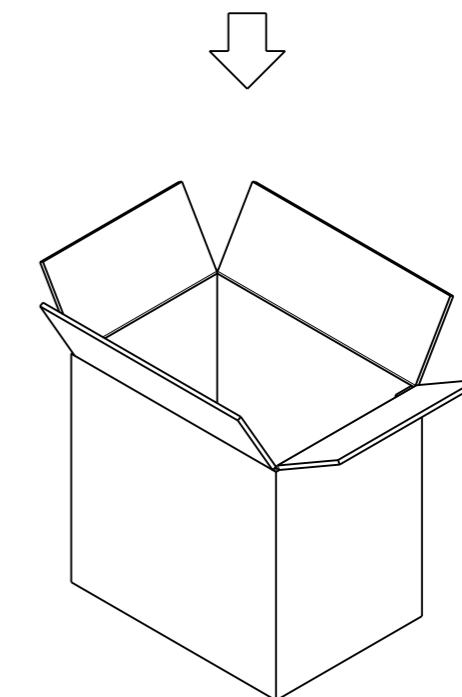
The marking on this product doesn't contain environmental hazardous materials per directive 2011/65/EU & 2015/863/EU for RoHS compliant & per IEC 61249-2-21 for Halogen-Free compliant.



REVISIONS				
SYM	ECN No.	DESCRIPTION	DATE	BY
AX17	NA	1. LATCH HOLE LOCATION CHANGE FROM 1.10mm TO 1.15mm 2. RECOMMENDED AIC MATING CARD CHAMFER CHANGE FROM CO.75 TO CO.3	12/15/2020	JOAN LU
AX18	NA	1. CAP OF 124P/148P DESIGN CHANGE FOR BIGGER NOZZLE AREA 2. ADDED A PACKAGE CODE	05/27/2021	JOAN LU
AX19	NA	CAP OF 38P/50P/74P DESIGN CHANGE	07/12/2021	JOAN LU



PART NUMBER	POS. (N)	DIM. J	DIM. K	DIM. L	REEL (Q'TY)	CARTON (PCS)
G97VX1XXXXHR	38	(21.5)	28.4±0.1	32.0±0.3	7	1400
G97VX5XXXXHR	50	(27.7)	40.4±0.1	44.0±0.3	5	1000
G97VX2XXXXHR	74	(34.0)	52.4±0.1	56.0±0.3	4	800
G97VX4XXXXHR	124	(39.5)	68.40±0.1	72.0±0.3	3	600
G97VX6XXXXHR	148	(57.9)	68.40±0.1	72.0±0.3	3	600

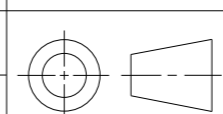


- NOTE 2:
- CARTON SIZE 340L X 340W X 265H
 - PREFER TO AMTA LABELING STANDARD.
 - CARTON CLOSURES MUST BE SEALED WITH TAPE.

NOTE 1:
 1. MATERIAL:
 CARRIER TAPE: POLYSTYRENE, BLACK
 COVER TAPE: TRANSPARENT POLYSTYRENE
 REEL: POLYSTYRENE, BLACK
 2. ALL TAPE AND REEL SPECIFICATION FOLLOW EIA-481 STANDARD.
 3. THIS PRODUCT DOESN'T CONTAIN ENVIRONMENTAL HAZARDOUS MATERIALS PER DIRECTIVE 2011/65/EU & 2015/863/EU FOR RoHS AND PER IEC 61249-2-21 FOR HALOGEN FREE

TOLERANCE	DRAWN	APPROVALS	DATE	TITLE	UNIT	SIZE	PART No.
X. X.X ±0.30 X.XX ±0.20 X.XXX ±0.10	DESIGNED	JOAN LU	2021-07-12	MINI COOL EDGE IO INTEGRATED CONNECTOR 0.6 PITCH, VERTICAL FOR PCIE, SMT TYPE	mm	A3	G97VXXXXXHR
	CHECKED	Sondra Sang	2021-07-16				
	APPROVED	Hank Hsu	2021-07-19				
ANGULAR ±2°	DWG TYPE	CUST DWG	PROJECT CODE		SCALE	SHEET	DWG No.
UNLESS OTHERWISE SPECIFIED			TXXX		NA	11 OF 12	G97VXXXXXHR

Amphenol®
 Amphenol Corporation
 Amphenol Taiwan Corporation



UNIT mm
 SCALE NA
 SIZE A3
 SHEET 11 OF 12

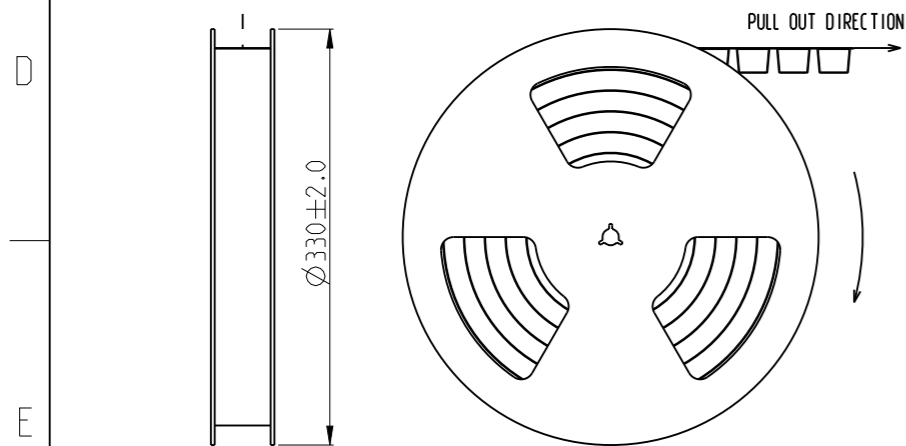
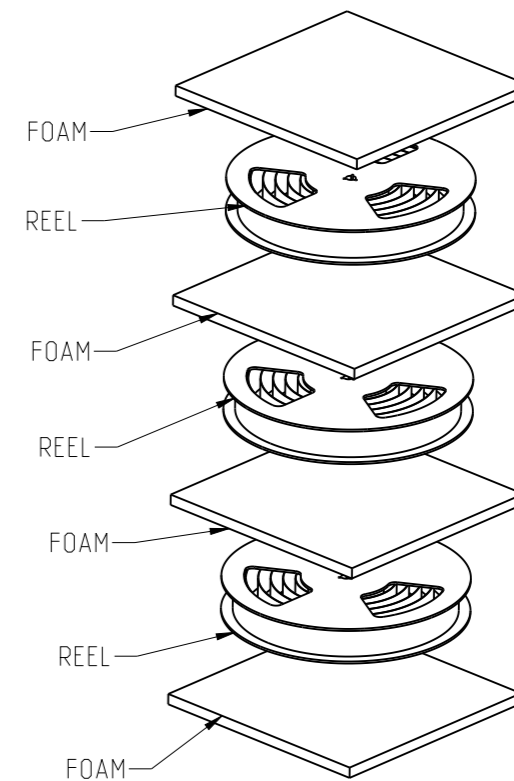
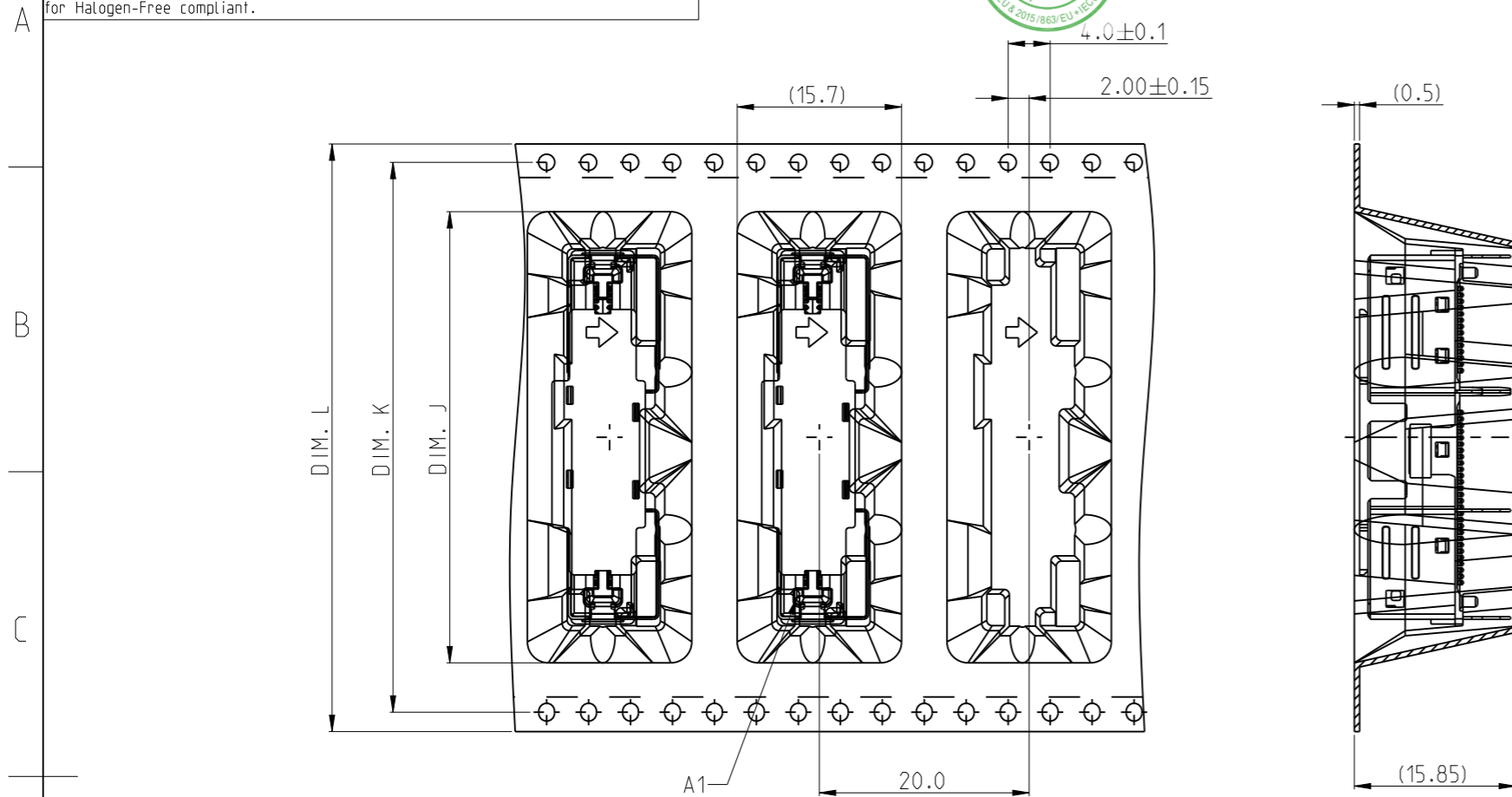
PART No. G97VXXXXXHR
 DWG No. G97VXXXXXHR
 REV. AX19

This document is the property of Amphenol Corporation and is delivered on the express condition that is not to be disclosed, reproduced or used, in whole or in part, for manufacture or sale by anyone other than Amphenol Corporation without its prior consent, and that no right is granted to disclose or to use any information in this document.

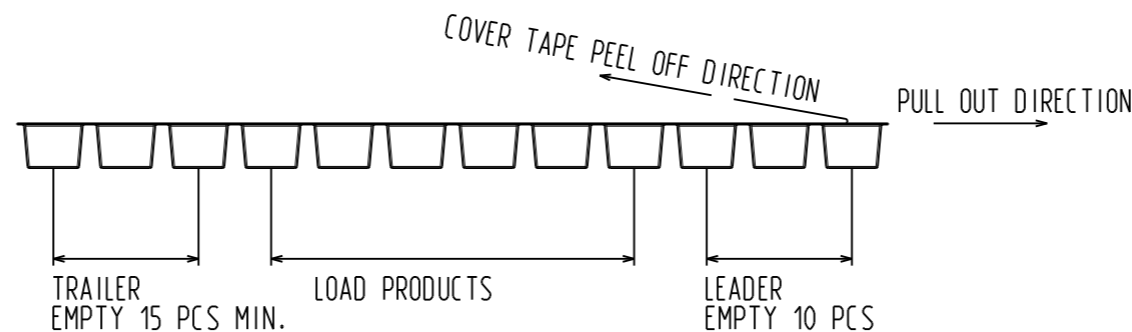
The marking on this product doesn't contain environmental hazardous materials per directive 2011/65/EU & 2015/863/EU for RoHS compliant & per IEC 61249-2-21 for Halogen-Free compliant.



REVISIONS				
SYM	ECN No.	DESCRIPTION	DATE	BY
AX17	NA	1. LATCH HOLE LOCATION CHANGE FROM 1.10mm TO 1.15mm 2. RECOMMENDED AIC MATING CARD CHAMFER CHANGE FROM CO.75 TO CO.3	12/15/2020	JOAN LU
AX18	NA	1. CAP OF 124P/148P DESIGN CHANGE FOR BIGGER NOZZLE AREA 2. ADDED A PACKAGE CODE	05/27/2021	JOAN LU
AX19	NA	CAP OF 38P/50P/74P DESIGN CHANGE	07/12/2021	JOAN LU

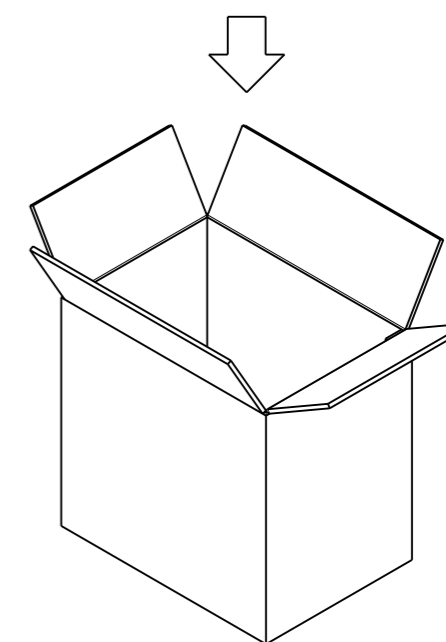


PART NUMBER	POS. (N)	DIM. J	DIM. K	DIM. L	REEL (Q'TY)	CARTON (PCS)
G97VX7XXXHR	84	(43)	52.4±0.1	56.0±0.3	3	600



NOTE 2:

- CARTON SIZE 340L X 340W X 240H
- PREFER TO AMTA LABELING STANDARD.
- CARTON CLOSURES MUST BE SEALED WITH TAPE.



NOTE 1:
1. MATERIAL:
CARRIER TAPE: POLYSTYRENE, BLACK
COVER TAPE: TRANSPARENT POLYSTYRENE
REEL: POLYSTYRENE, BLACK
2. ALL TAPE AND REEL SPECIFICATION FOLLOW EIA-481 STANDARD.
3. THIS PRODUCT DOESN'T CONTAIN ENVIRONMENTAL HAZARDOUS MATERIALS PER DIRECTIVE 2011/65/EU & 2015/863/EU FOR RoHS AND PER IEC 61249-2-21 FOR HALOGEN FREE.

TOLERANCE	DRAWN	APPROVALS	DATE	TITLE	UNIT	SIZE	PART No.
X. ±0.30	DESIGNED	JOAN LU	2021-07-12	MINI COOL EDGE 10 INTEGRATED CONNECTOR 0.6 PITCH, VERTICAL FOR PCIE. SMT TYPE	mm	A3	G97VXXXXXHR
X.X ±0.20	CHECKED	Sondra Sang	2021-07-16				
X.XX ±0.10	APPROVED	Hank Hsu	2021-07-19				
ANGULAR ±2°	DWG TYPE	CUST DWG	PROJECT CODE TXXX				
UNLESS OTHERWISE SPECIFIED				SCALE NA	SHEET 12 OF 12	DWG No. G97VXXXXXHR	REV. AX19

Amphenol®
Amphenol Corporation
Amphenol Taiwan Corporation