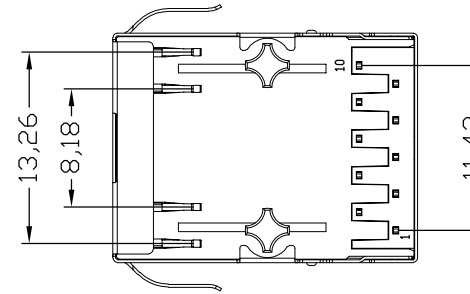
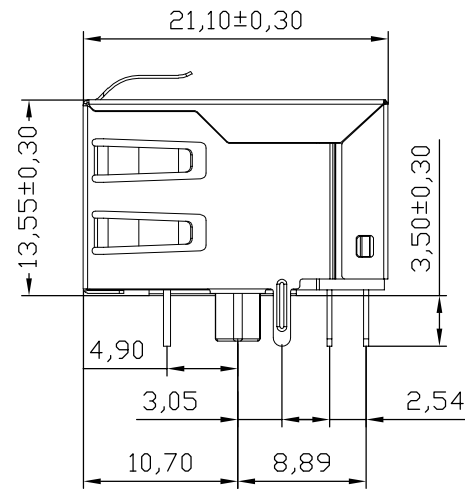
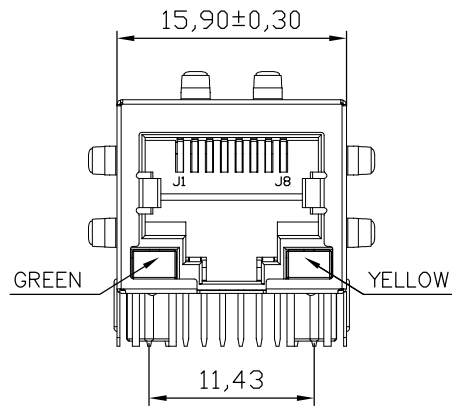


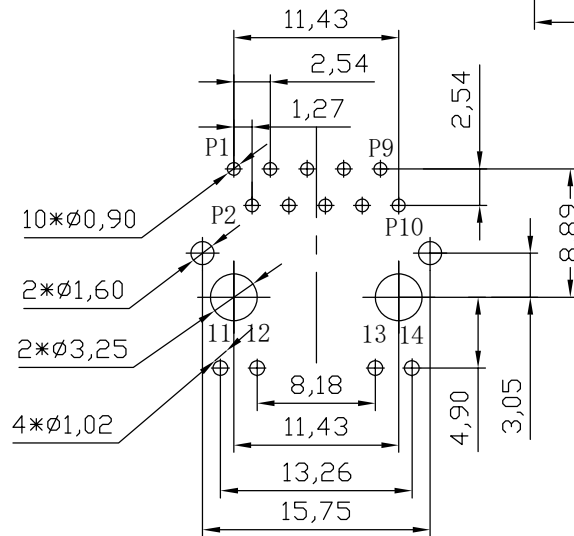
RoHS&REACH

ECN NO.	DESCRIPTION	DATE
A-1	NEW	2024.1.15

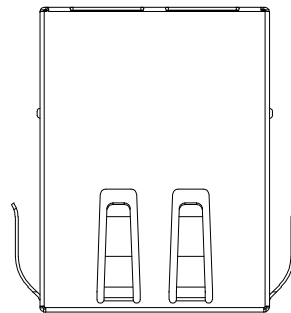


Connect Material:

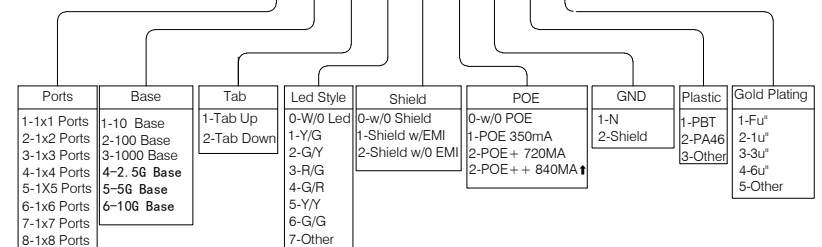
- 1.Housing: Thermoplastic, PBT,UL94V-0, Color: Black;
- 2.Insert: Thermoplastic, PBT,UL 94V-0, Color: Black;
- 3.Shield: Brass T=0.2mm, 20u" Min Nickel Overall Plated;
- 4.Input Terminal: Brass T=0.35mm, 40u" Min Ni UnderPlated Overall,80u" Min Tin On Solder Area;
- 5.RJ45 Terminal: Phosphor Bronze T=0.35mm, 40u" Min Ni UnderPlated Overall, 80u" Min Tin On Solder Area; Selective 6u" Gold Plated On Contact Area;



RECOMMENDED P.C.B LAYOUT(PCB THICKNESS: 1.6mm)
COMPONENT SIDE VIEW(TOLERANCE: ±0.05mm)

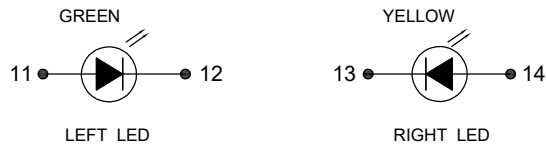
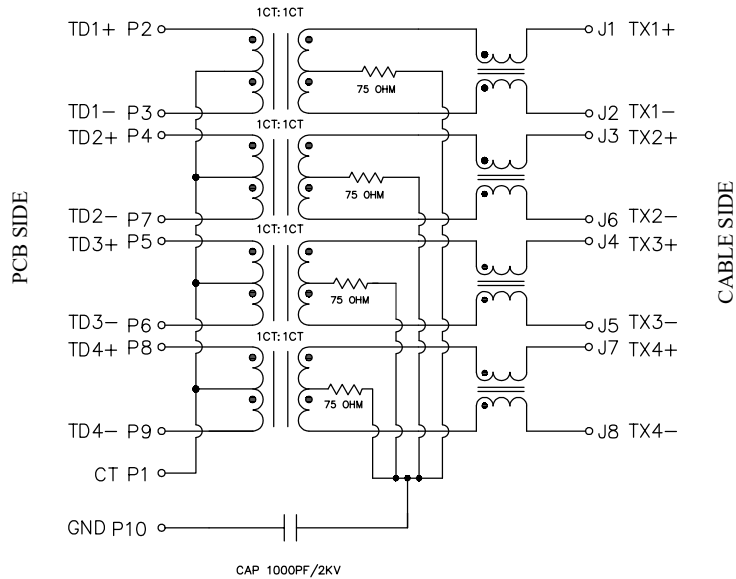


59T1 - X X X X X X X X



未注公差	设计	X.C.S	比例	1: 1
尺寸标注	公差	审核	单位	mm
X	±0.35 ±2.0°	批准	图幅	A4
XX	±0.30 ±1.5°	角法	版本	A-1
XXX	±0.25 ±1.0°		图数	第1页 共2页
	±0.10 ±0.5°			

H 恒连电子科技有限公司
EVERCOM ELECTRONIC TECHNOLOGY CO.,LTD
<http://www.chinarj45.com>
产品型号 59T1 1X1 TAB-DOWN 1000Base 屏蔽带弹带灯
产品编号 59T1-13221010XX 图纸编号



ELECTRICAL SPECIFICATIONS@25°C UNLESS OTHERWISE NOTED:

- Turn Ratio(+/-5%): 1CT:1CT
- Inductance OCL: 350uH Min @100KHz/0.1V/ 8mA DC Bias
- Insertion Loss:
 - 1.1dB Max 1-100MHz
- Return Loss:
 - 18dB Min 1-30MHz
 - 15dB Min 30-60MHz
 - 12dB Min 60-80MHz
 - 10dB Min 80-100MHz
- Cross talk:
 - 35dB Min 1-10MHz
 - 26dB Min 15-60MHz
 - 24dB Min 60-100MHz
- Common Mode Rejection:
 - 30dB Min 1-100MHz
- Hipot Test:
 - 2250VDC 3S 1mA Max
- Operating Temperature Range: -40°C ~ +85°C
- RJ45 Meets IEEE 802.3 Standards.
- RJ45 Cavities Conform To FCC Rules And Regulation Part 68 Subpart F.
- LED Specification:

Emitting Color	Ad (nm)typ	Vf@If=20mA	Ir@Vr =5V
GREEN	565nm	1.8-2.4V	10uA Max
YELLOW	585nm	1.8-2.4V	10uA Max

未注公差	设计	X.C.S	比例	1: 1
尺寸标注	公差	审核	单位	mm
X	±0.35 ±2.0°	Z.J.G	图幅	A4
X	±0.30 ±1.5°	批准	版本	A-1
XX	±0.25 ±1.0°	批注	图数	第2页 共2页
XXX	±0.10 ±0.5°	角法		

HL 恒连电子科技有限公司
 EVERCOM ELECTRONIC TECHNOLOGY CO.,LTD
<http://www.chinarj45.com>
 产品型号 59T1 1X1 TAB-DOWN 1000Base 屏蔽带弹带灯
 产品编号 59T1-13221010XX 图纸编号