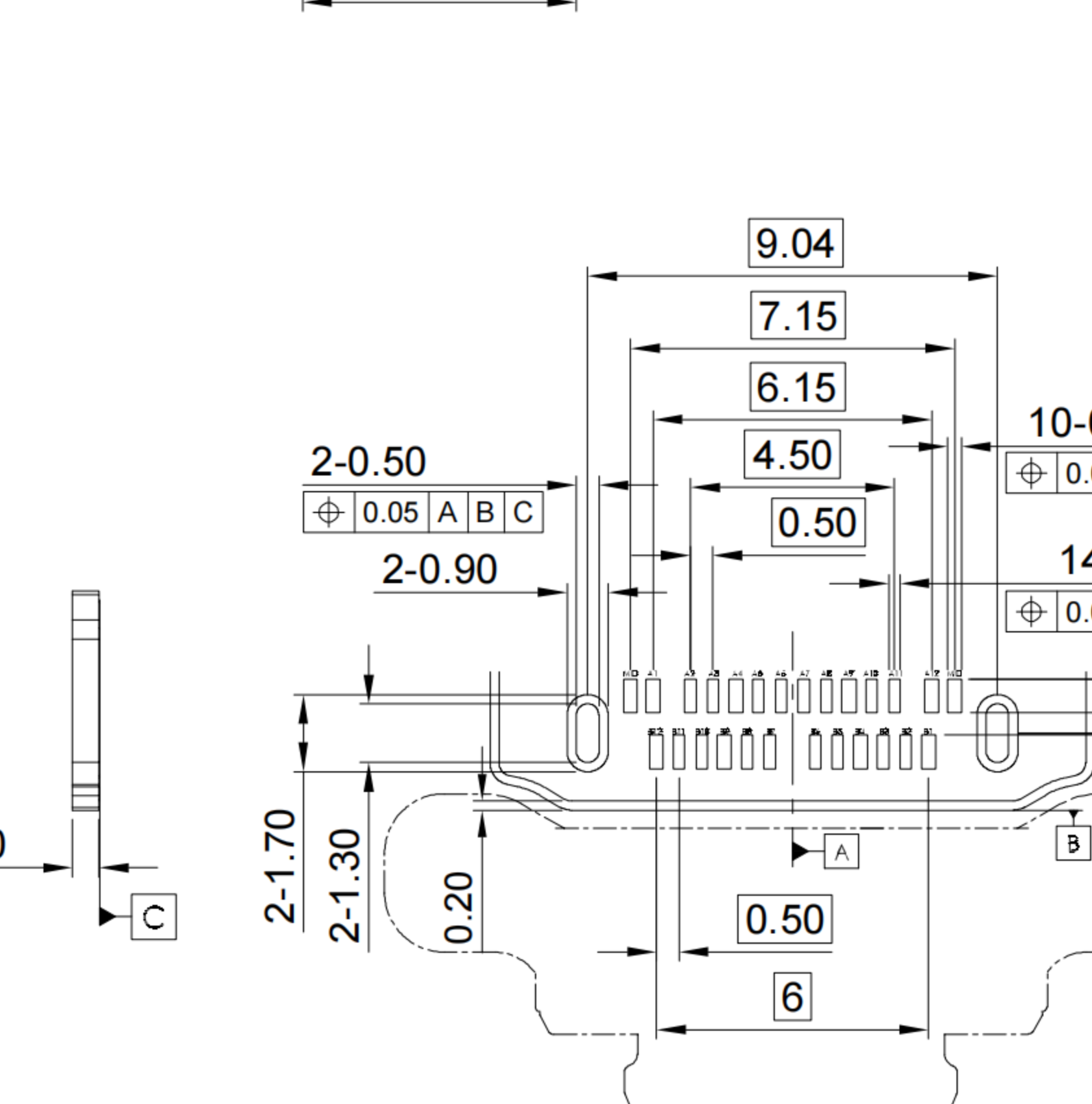
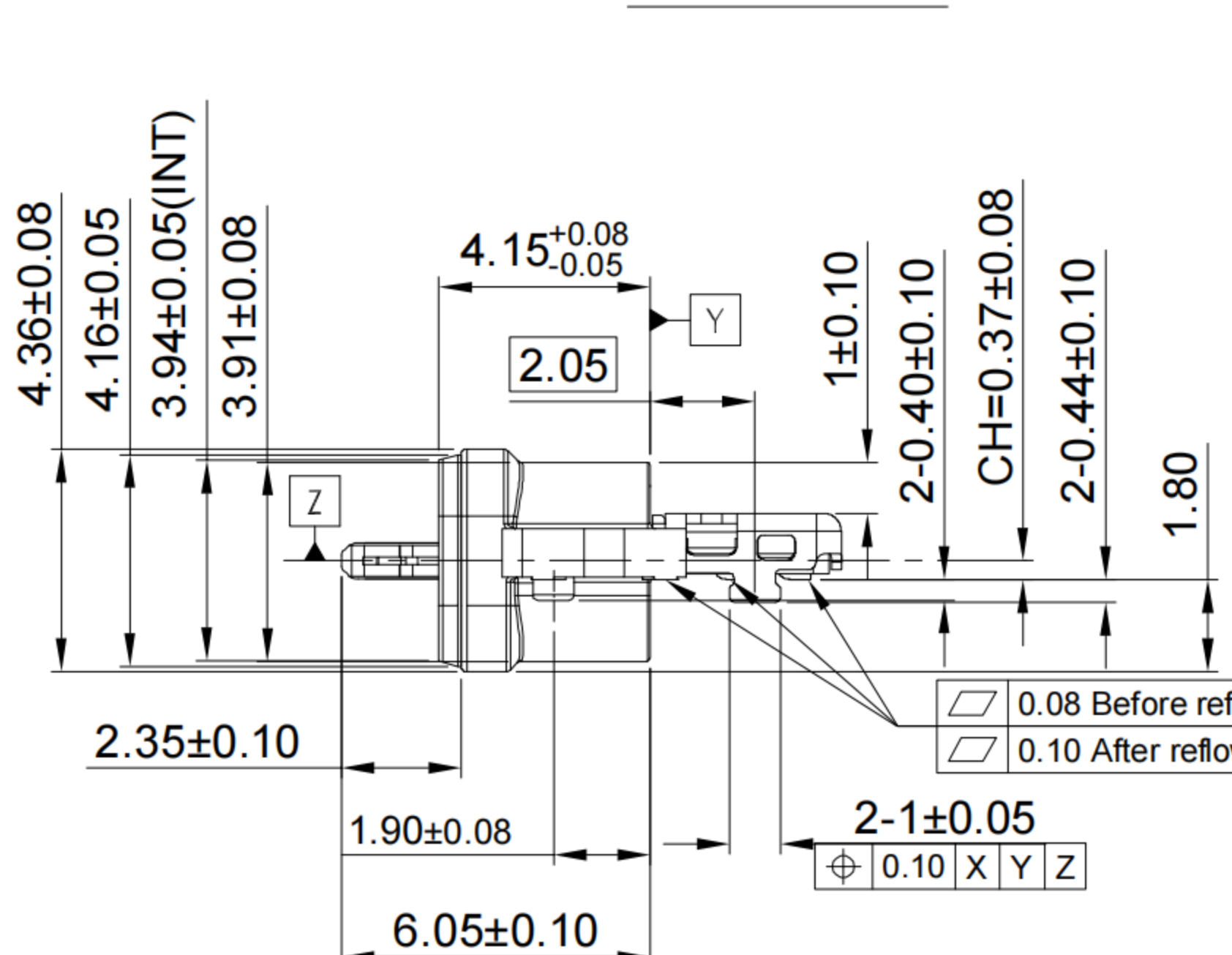
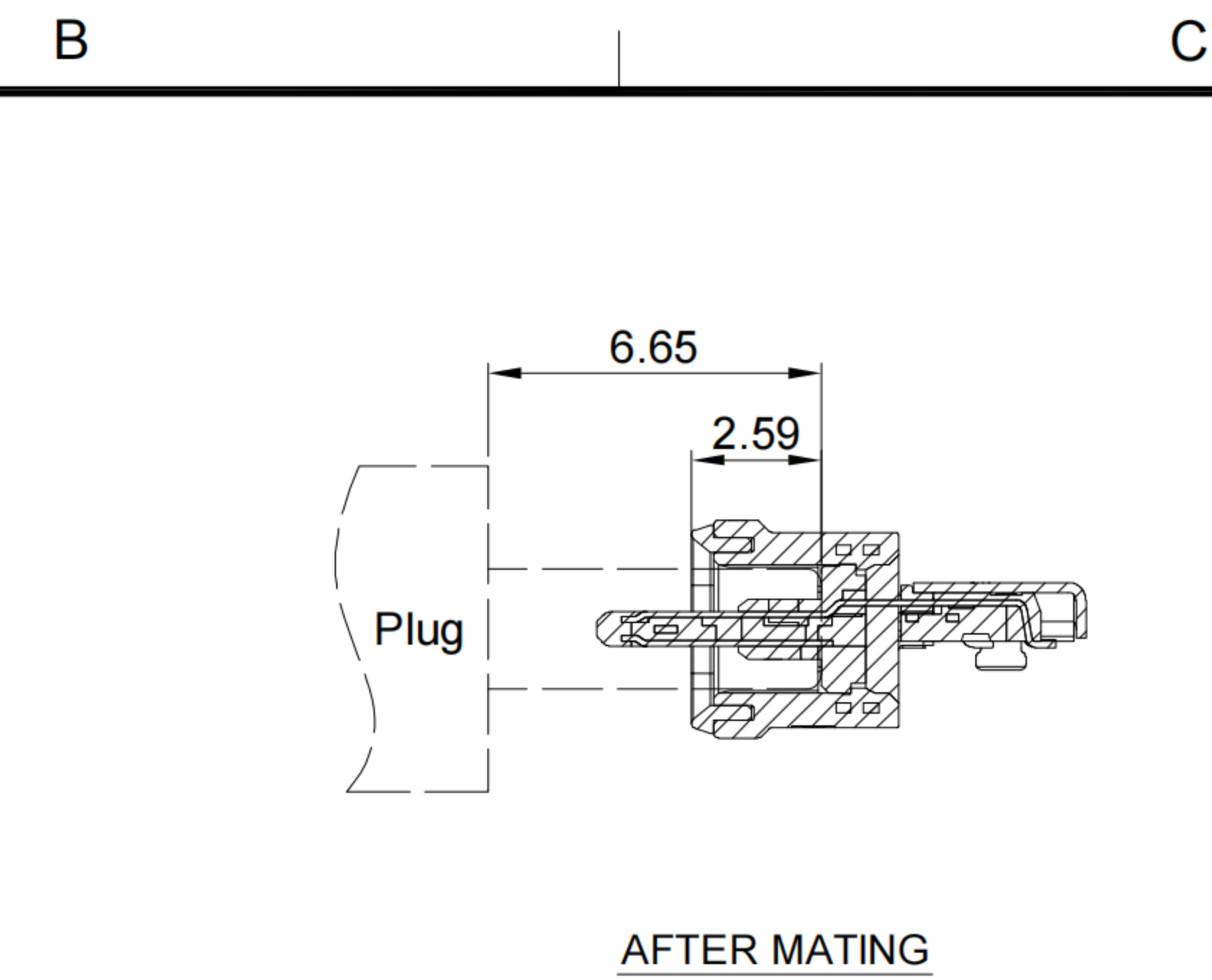


1	HSG SHELL	PA4T F11	BLACK UL 94V-0
2	SHELL	SUS316L	Ni PLATED
3	GND PLATE	SUS301	---
4	MID PLATE	SUS301	Ni PLATED
5	HOUSING	PA46	BLACK UL 94V-0
6	TERMINALS	C18400	Au PLATING ON CONTACT AREA Au PLATING ON SOLDER TAILS
7	RUBBER	SILICA GEL	RED/60A
8	GLUE	EPOXY	BLACK
NO.	PARTS	MATERIAL	REMARKS



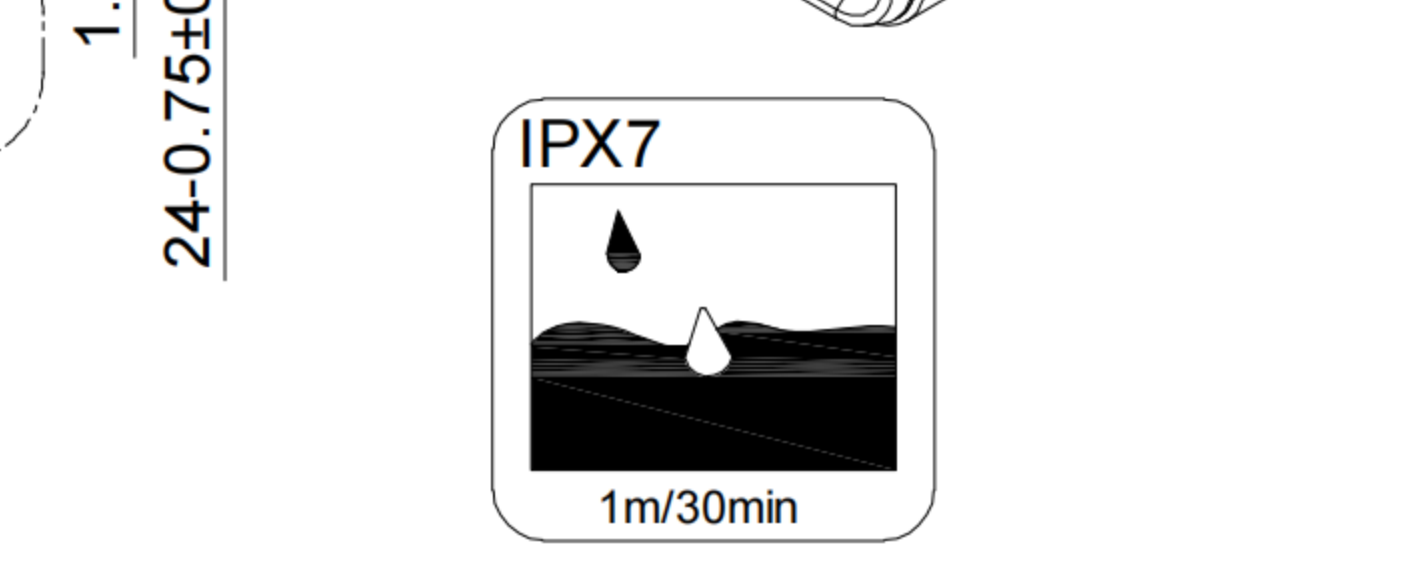
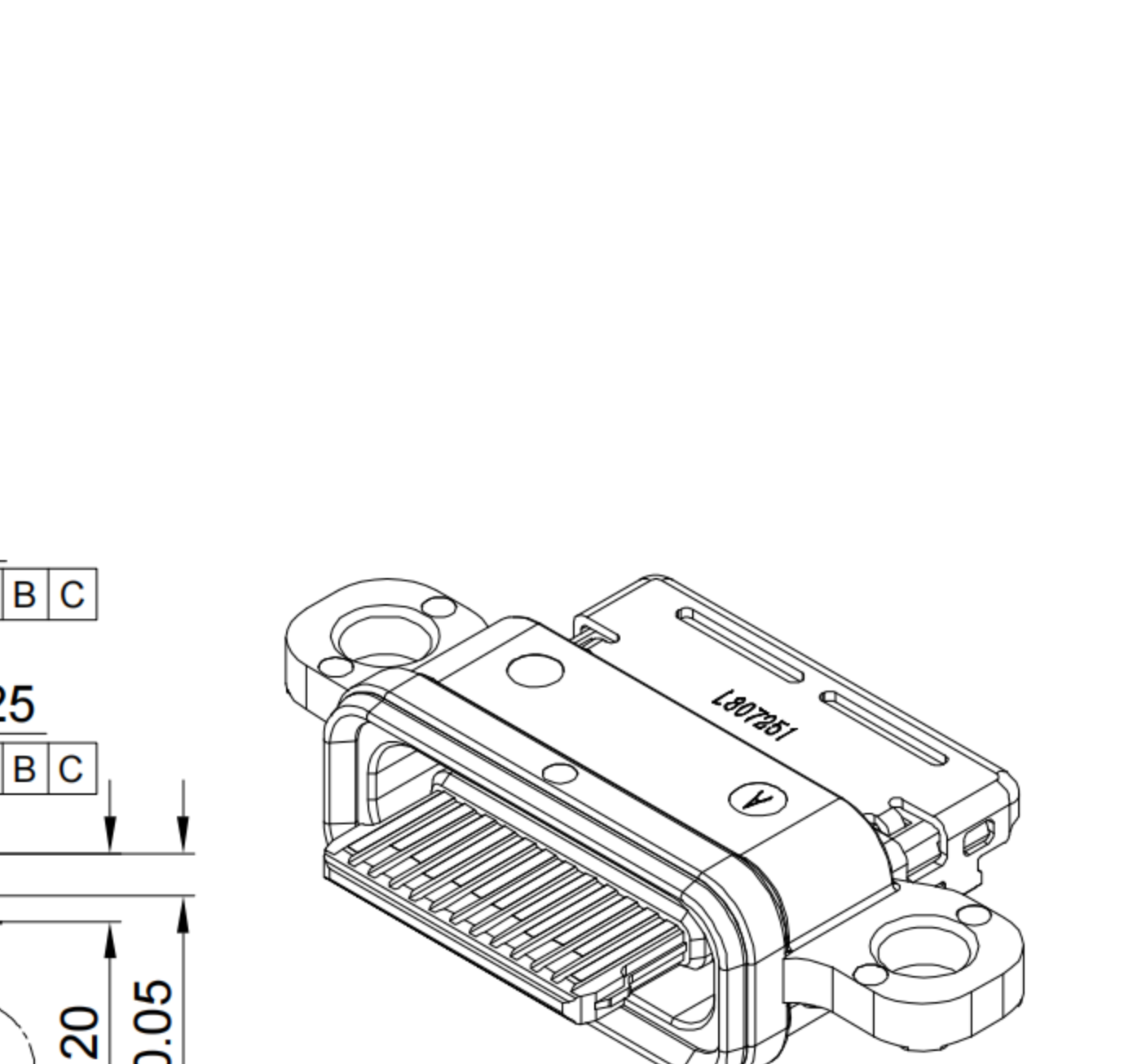
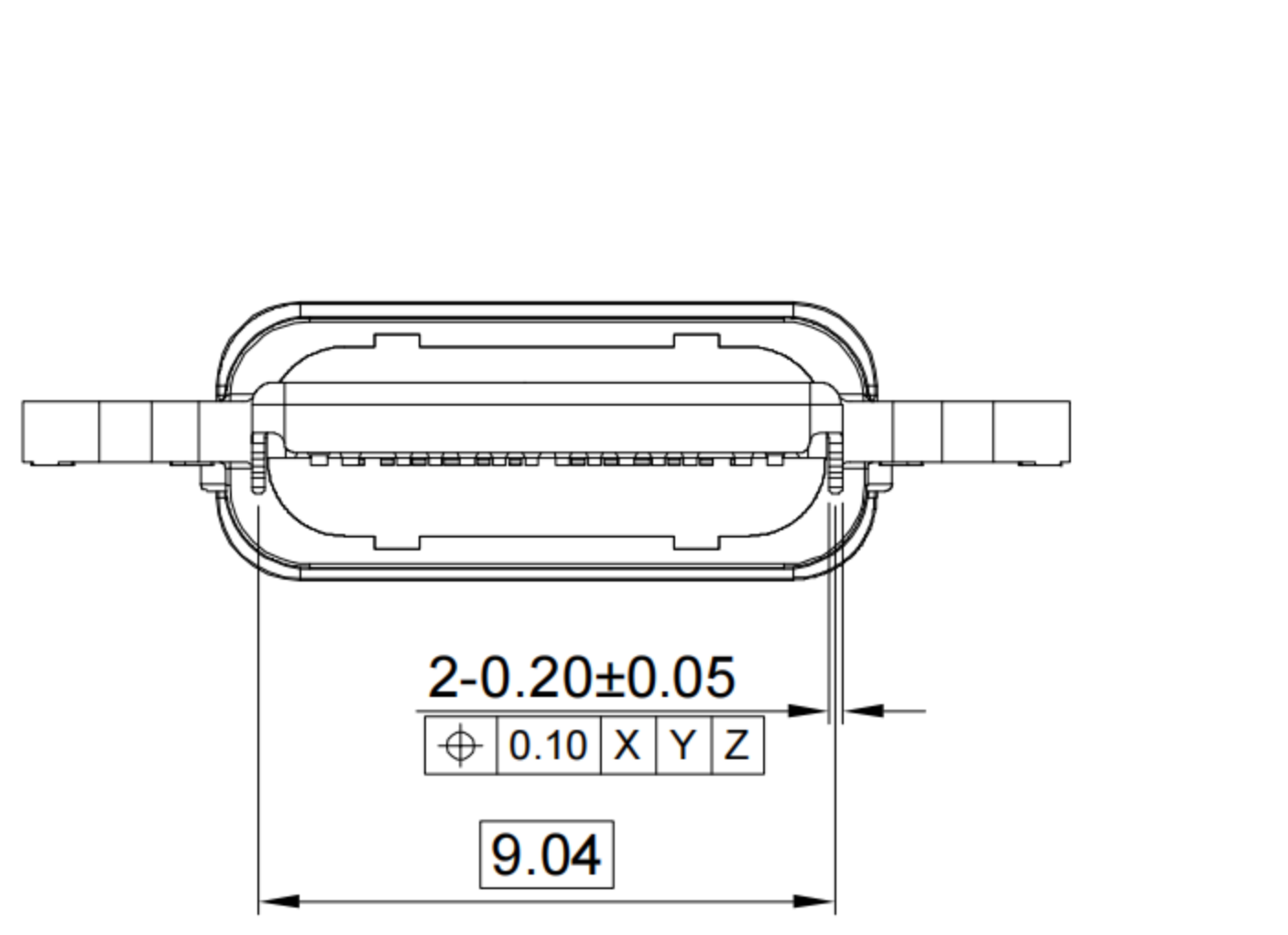
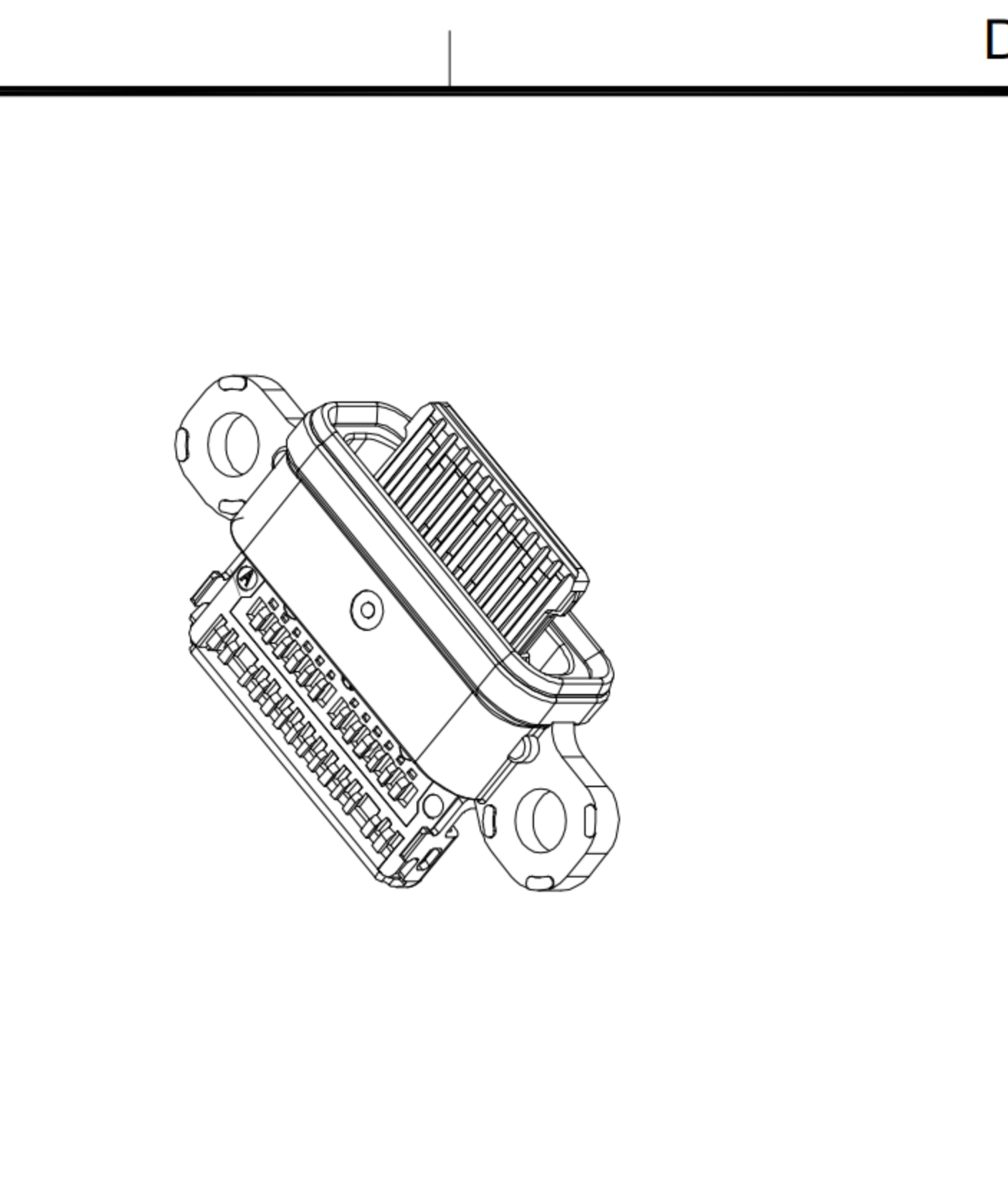
RECOMMENDED PCB LAYOUT
TOLERANCE:±0.05

IPX7
1m/30min

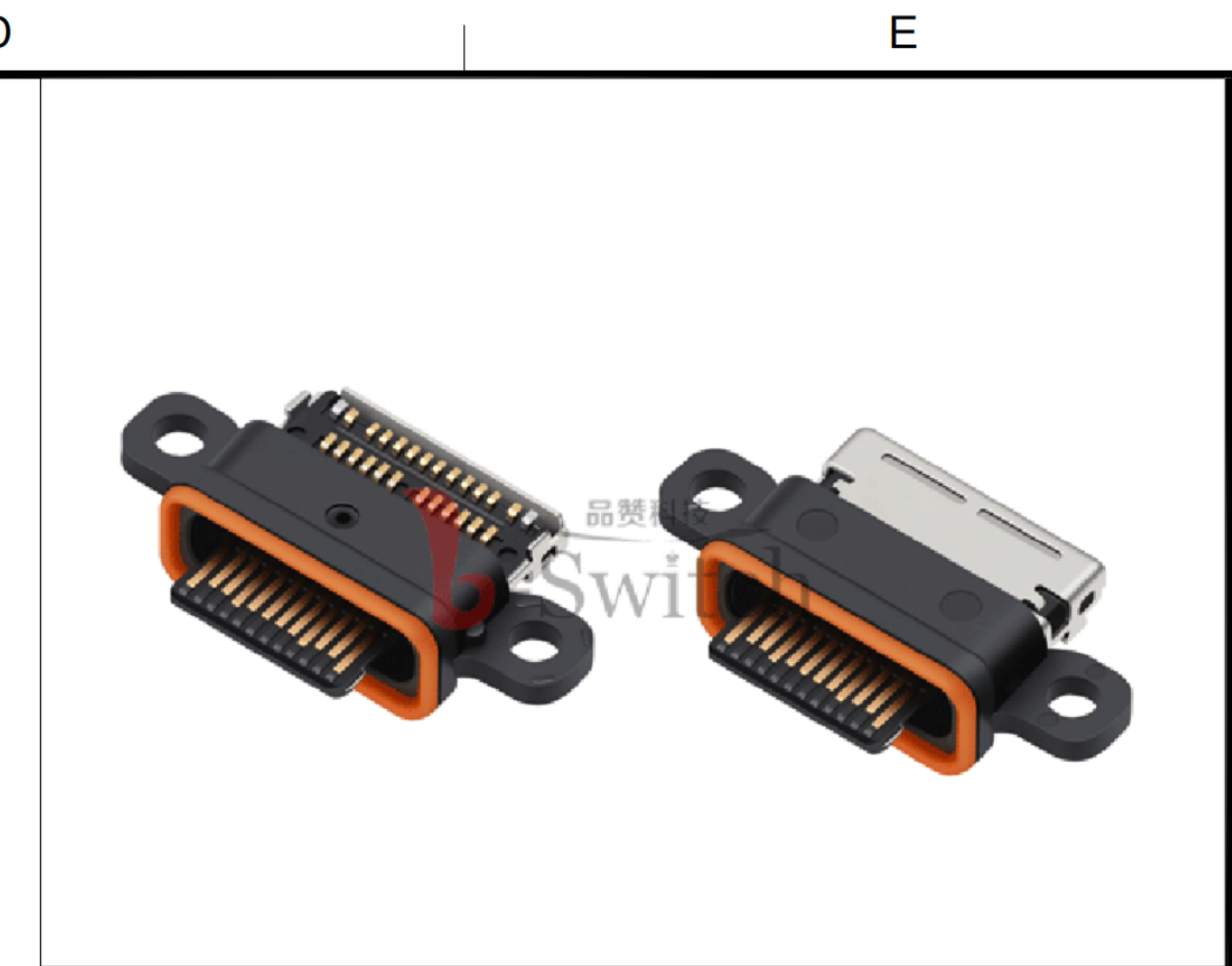
RoHS Compliant
EU RoHS Standards

HALOGEN Compliant
Halogen Free

Process Capable



SCALE: 1:1	UNIT: mm	Title: Horizontal Type-c 24P Female SMT Sink1.8 CH=0.37 L=7.90mm	
SIZE: A4		Title: Horizontal Type-c 24P Female SMT Sink1.8 CH=0.37 L=7.90mm	
Unless otherwise General Tolerance:		Title: Horizontal Type-c 24P Female SMT Sink1.8 CH=0.37 L=7.90mm	
X.	±0.25	Title: Horizontal Type-c 24P Female SMT Sink1.8 CH=0.37 L=7.90mm	
X.x	±0.15	Title: Horizontal Type-c 24P Female SMT Sink1.8 CH=0.37 L=7.90mm	
X.xx	±0.10	Title: Horizontal Type-c 24P Female SMT Sink1.8 CH=0.37 L=7.90mm	
X.xxx	±0.05	Title: Horizontal Type-c 24P Female SMT Sink1.8 CH=0.37 L=7.90mm	
X°	±3°	Title: Horizontal Type-c 24P Female SMT Sink1.8 CH=0.37 L=7.90mm	



G-Switch USB-C Specification:

- 1.Current rated: 6A on vbus/1.25A on vconn/0.25A on other
- 2.Withstanding voltage: 100V AC/minute
- 3.Contact resistance: 40mΩ Max
- 4.Insulation resistance: 100MΩ Min
- 5.Operating temperature: -40°C ~ +85°C
- 6.Mating force: 5N~20N
- 7.Unmating force: 8N~20N
- 8.Durability cycle:10,000 cycles
- 9.Data transmission rate up to 5Gbp/s
- 10.Waterproof grade: IP-X7.

A1	A2	A3	A4	A5	A6	A7	A8	A9	A10	A11	A12
GND	TX1+	TX1-	VBUS	CC1	D+	D-	SBU1	VBUS	RX2-	RX2+	GND
First	Second	Second	First	Second	Second	Second	Second	First	Second	Second	First
B12	B11	B10	B9	B8	B7	B6	B5	B4	B3	B2	B1
GND	RX1+	RX1-	VBUS	SBU2	D-	D+	CC2	VBUS	TX2-	TX2+	GND
First	Second	Second	First	Second	Second	Second	Second	First	Second	Second	First

品赞科技®

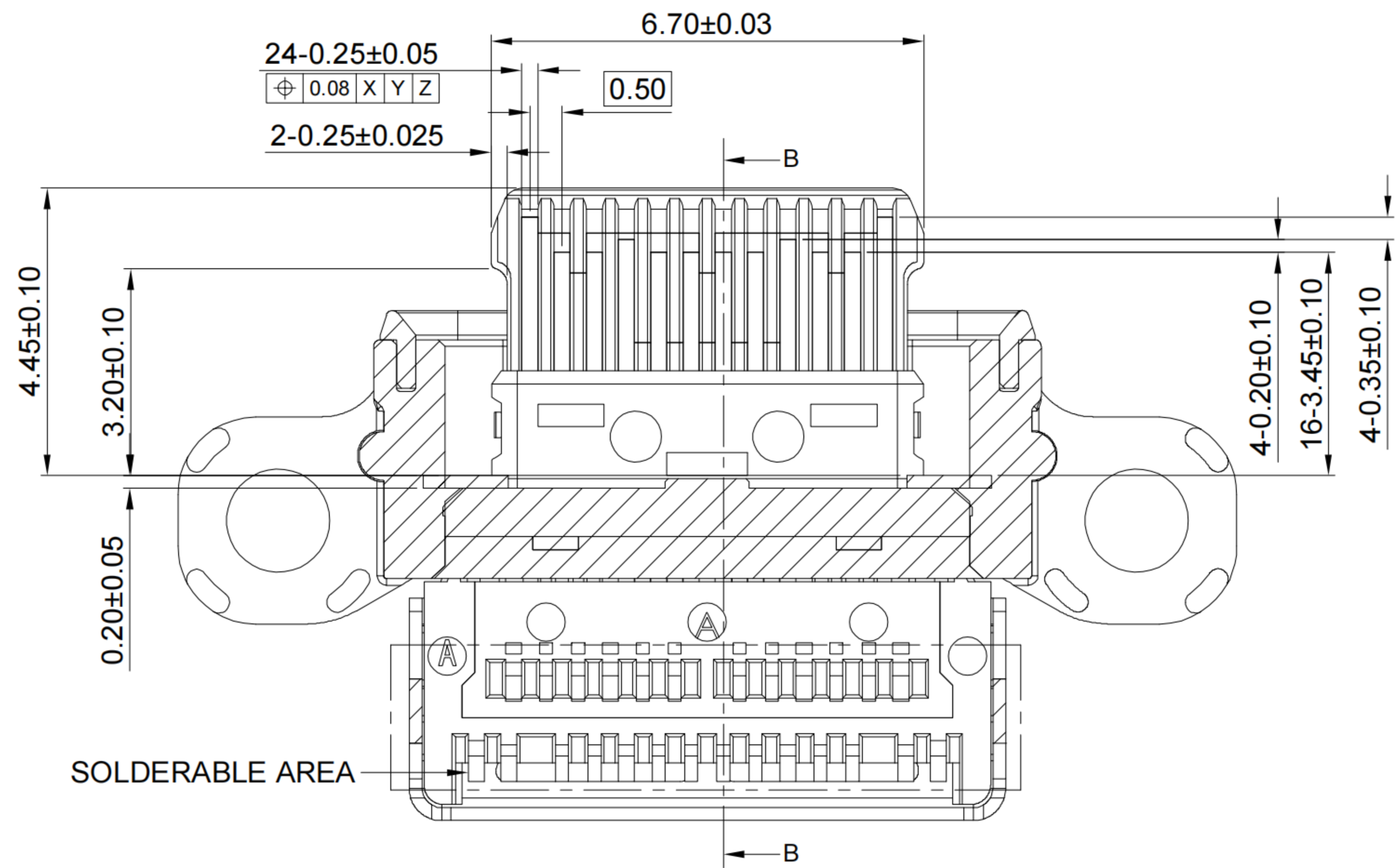
b-Switch

www.dg-switch.com

DRAWN	CHECKED	APPROVED	DATE
Xia	Chen	Chen	2023.02.01

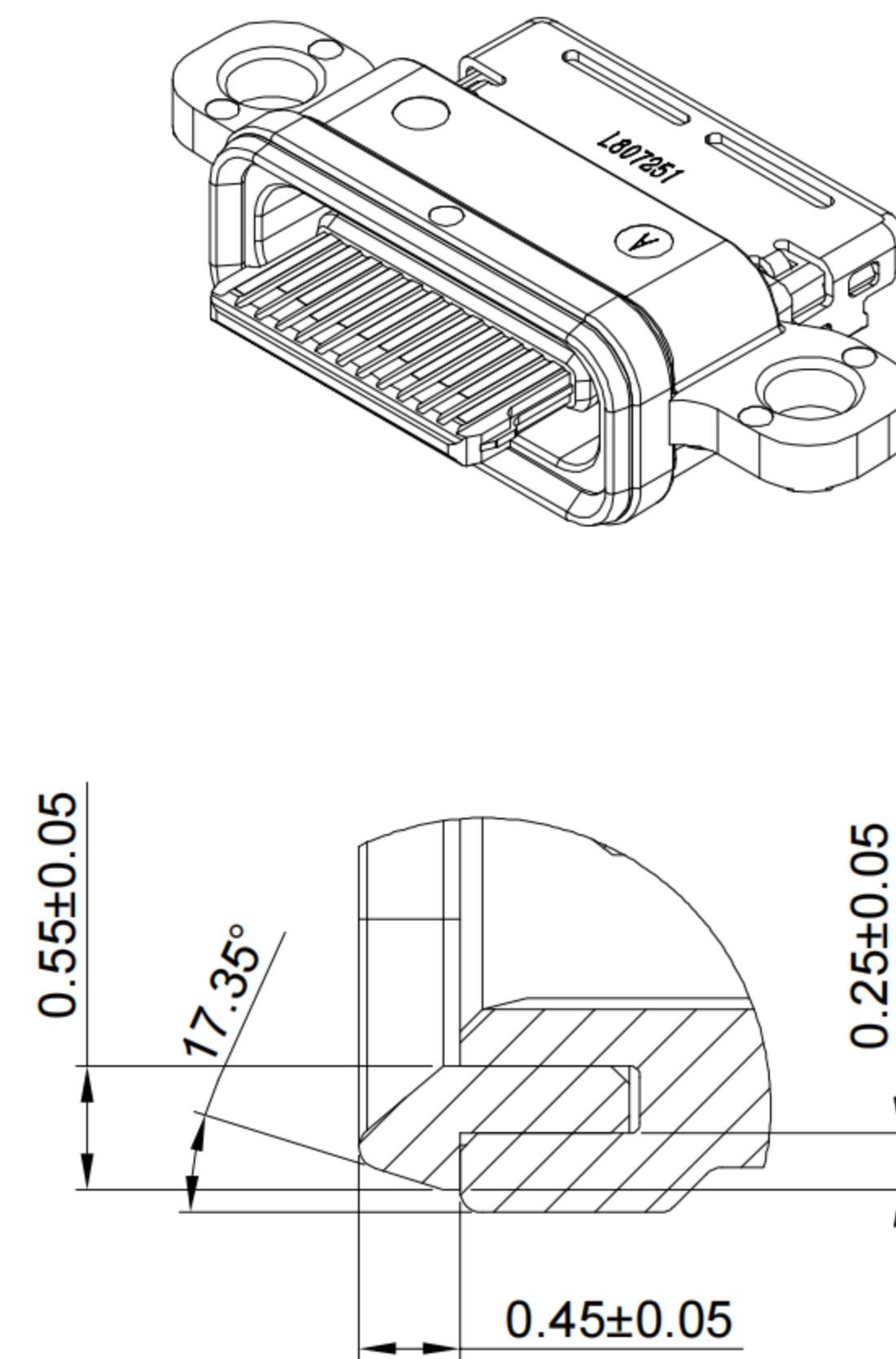
REV: A0 SHEET: 1/2

1



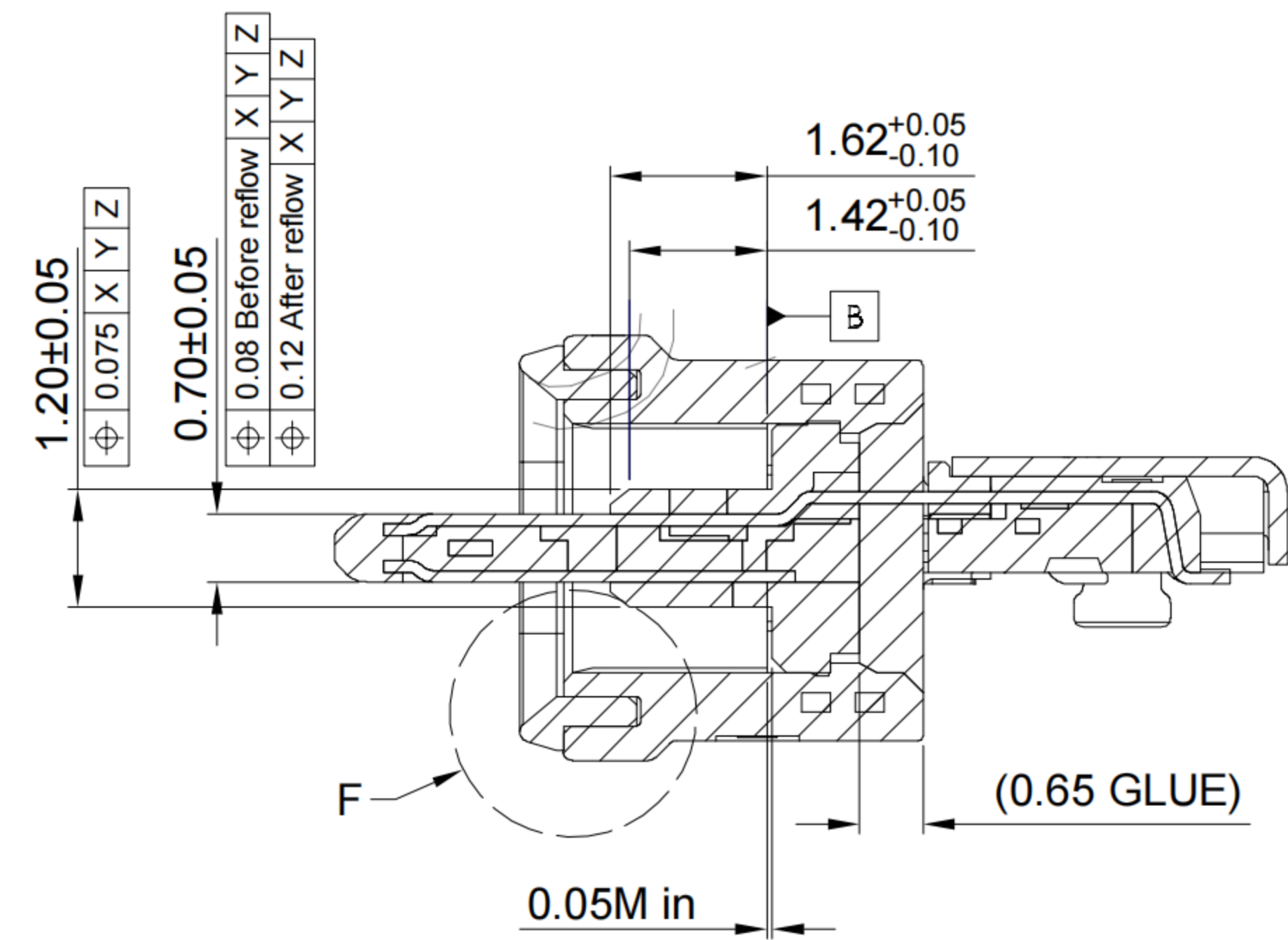
SECTION A-A

2



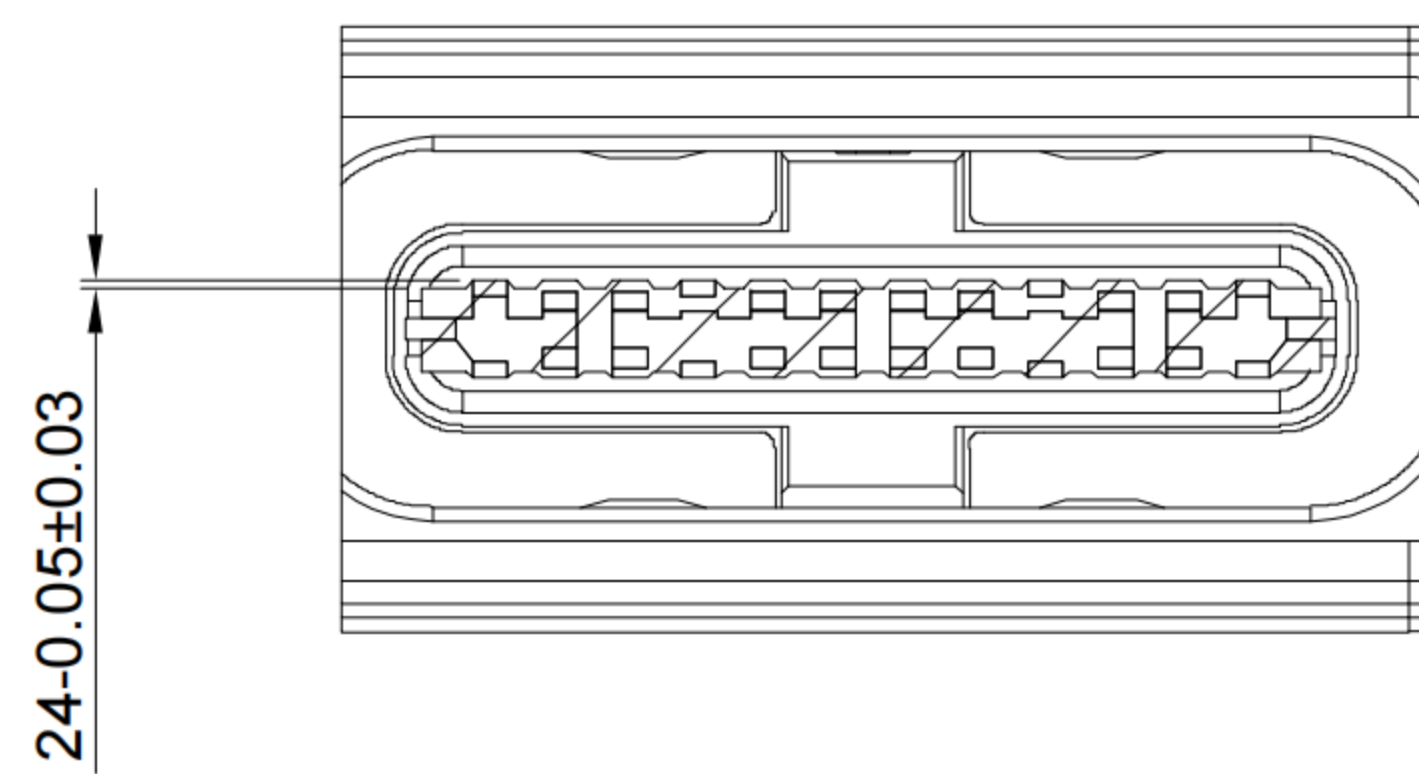
DETAIL F

3

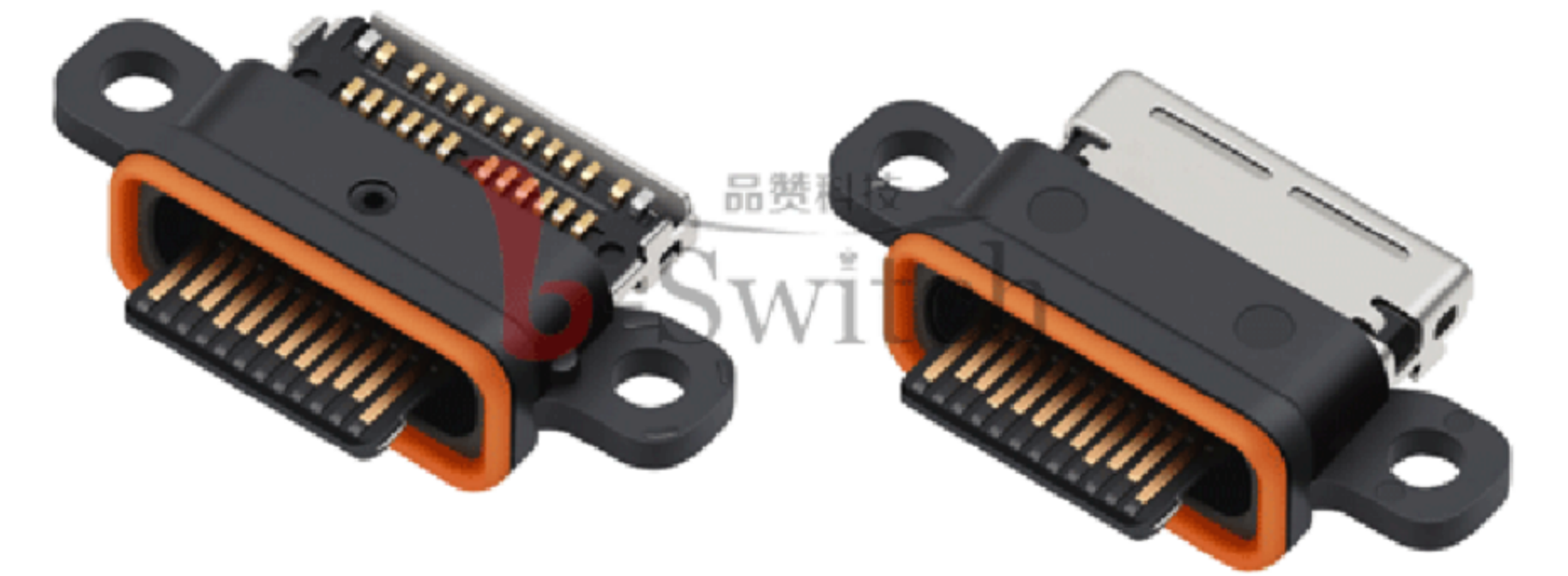


SECTION B-B

4



SECTION E-E



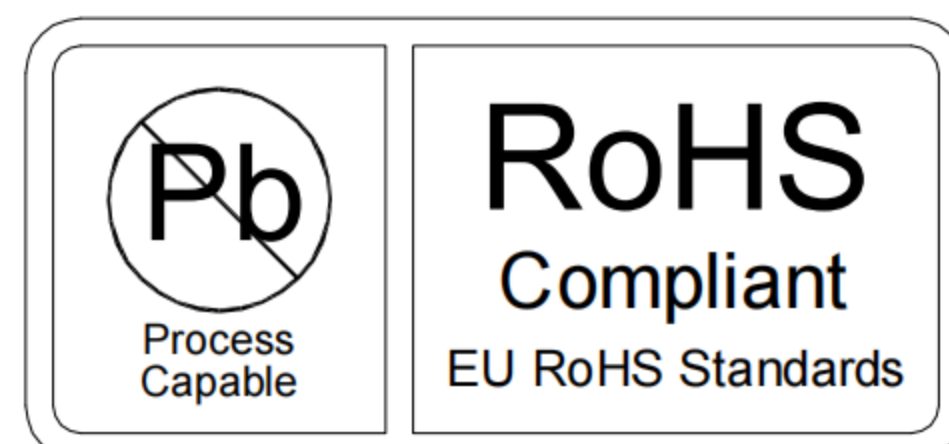
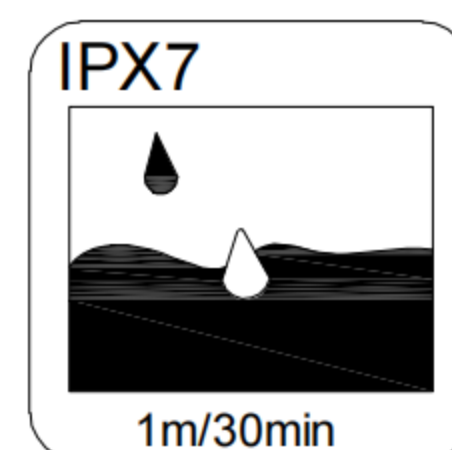
G-Switch USB-C Specification:

1. Current rated: 6A on vbus/1.25A on vconn/0.25A on other
Voltage rating: 30V AC
2. Withstanding voltage: 100V AC/minute
3. Contact resistance: 40mΩ Max
4. Insulation resistance: 100MΩ Min
5. Operating temperature: -40°C ~ +85°C
6. Mating force: 5N~20N
7. Unmating force: 8N~20N
8. Durability cycle: 10,000 cycles
9. Data transmission rate up to 5Gbp/s
10. Waterproof grade: IP-X7.

A1	A2	A3	A4	A5	A6	A7	A8	A9	A10	A11	A12
GND	TX1+	TX1-	VBUS	CC1	D+	D-	SBU1	VBUS	RX2-	RX2+	GND
First	Second	Second	First	Second	Second	Second	Second	First	Second	Second	First
B12	B11	B10	B9	B8	B7	B6	B5	B4	B3	B2	B1
GND	RX1+	RX1-	VBUS	SBU2	D-	D+	CC2	VBUS	TX2-	TX2+	GND
First	Second	Second	First	Second	Second	Second	Second	First	Second	Second	First

5

1	HSG SHELL	PA4T F11	BLACK UL 94V-0
2	SHELL	SUS316L	Ni PLATED
3	GND PLATE	SUS301	---
4	MID PLATE	SUS301	Ni PLATED
5	HOUSING	PA46	BLACK UL 94V-0
6	TERMINALS	C18400	Au PLATING ON CONTACT AREA Au PLATING ON SOLDER TAILS
7	RUBBER	SILICA GEL	RED/60A
8	GLUE	EPOXY	BLACK
NO.	PARTS	MATERIAL	REMARKS



SCALE: 1:1 UNIT: mm

SIZE: A4

Unless otherwise
General Tolerance:
X. ±0.25
X.x ±0.15
X.xx ±0.10
X.xxx ±0.05
X° ±3°

Title: Horizontal Type-c 24P Female
SMT Sink 1.8 CH=0.37 L=7.90mm

Molde Code: GT-USB-7059A

DRAWN	CHECKED	APPROVED	DATE
Xia	Chen	Chen	2023.02.01



REV: A0 SHEET: 2/2