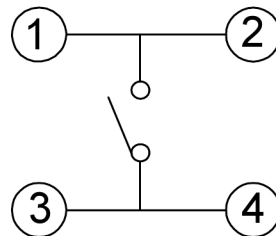
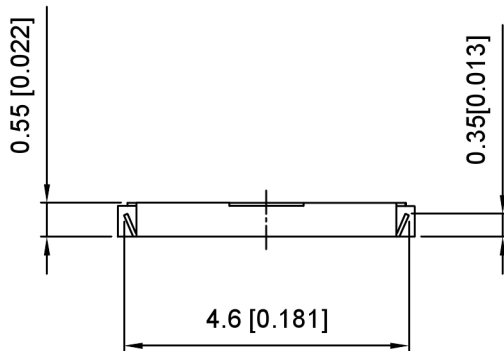
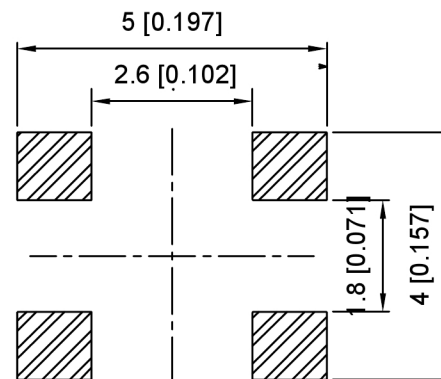


Circuit diagram



PCB Mounting Pattern Dimension



SPECIFICATION

Contact Rating: 50mA, 12V DC  
 Contact Resistance: 100mΩ max  
 Insulation Resistance: 100mΩ min. 500V DC  
 Dielectric Strength: 250V AC/1minute  
 Travel: 0.20mm  
 Operating Temp: -30°C~+85°C  
 Storage Temp: -30°C~+80°C

PAPT NO	TS-1197A-X
Operating Force	A:100gf B:160gf C:260gf
Height	H:0.55

ITEM	PAPT NAMF	TER,NO	QTY	MATERIAL	FINISHING	REMARK
⑤	Terminal	—	4	Brass (0.30t)	Plating silvering	——
④	Contact	—	1	F.ag/Sus	Natural	——
③	Base	—	1	Lcp		——
②	Cover	—	1	Brass	Plating Nickel	——
①	Keystake	—	1			——

广东星坤科技股份有限公司

Δx		日期
Δx		日期
Δx		日期
MARK	DESCRIPTION	DATE

文件工程章

REVISIONS	DATE	REVISED	APPROVED	UNSPECIFIED TOLERANCES

DSND		SCALE: N/A	MODEL TYPE: TACT SWITCH
DWN		VIEW:	PART NO.: TS-1197A-X
CHKD		UNIT: mm/in	DWG NO.:
APPD		SIZE: A4	
XKB INDUSTRIAL PRECISION CO., LIMITED			WEIGHT
			SHEET
			REVISIC
			1/1
			A0

