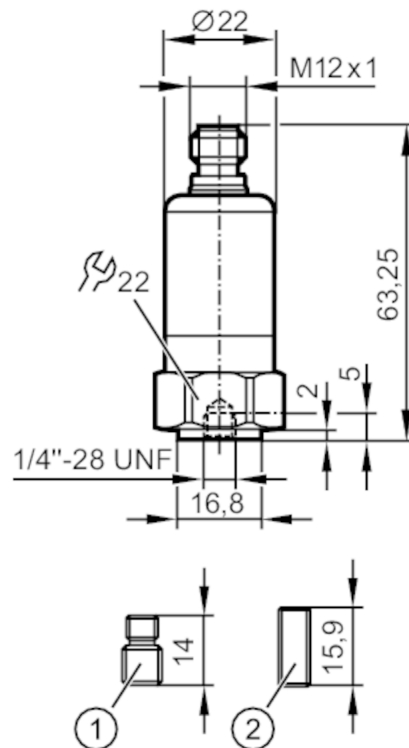


VTV12A



Vibration transmitter

VIBRATION TRANSMITTER



- 1 set screw 1/4"-28 UNF / M8 x 1.25 mm
 2 set screw 1/4"-28 UNF
 Tightening torque 8 Nm



Product characteristics

Measuring range of vibration [mm/s]	0...25; (RMS)
Frequency range [Hz]	10...1000

Application

Application	vibration transmitter to ISO 10816
-------------	------------------------------------

Electrical data

Operating voltage [V]	9.6...32 DC
Protection class	III
Sensor type	microelectromechanical system (MEMS)

Inputs / outputs

Total number of inputs and outputs	1
------------------------------------	---

Outputs

Analogue current output [mA]	4...20
Max. load [Ω]	$< (U_b - 9,6 \text{ V}) \times 50$; $U_b = 24 \text{ V}$: 720

Measuring/setting range



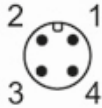
Measuring range of vibration [mm/s]	0...25; (RMS)
Frequency range [Hz]	10...1000

VTV12A



Vibration transmitter

VIBRATION TRANSMITTER

Number of measurement axes	1
Accuracy / deviations	
Measuring error [% of the final value]	< ± 3
Repeatability	< 0,5; (% of the final value)
Linearity deviation	0,25 %
Operating conditions	
Ambient temperature [°C]	-20...60
Protection	IP 67; (when used outside the hazardous area: IP 69K)
Tests / approvals	
ATEX marking	 II 3D Ex tc IIC T110°C Dc X
	 II 3G Ex nA IIC T4 Gc X
EMC	EN 61000-4-2 ESD 4 kV CD / 8 kV AD
	EN 61000-4-3 HF radiated 10 V/m
	EN 61000-4-4 Burst 2 kV
	EN 61000-4-6 HF conducted 10 V
Shock resistance	400 g
MTTF [years]	868
Mechanical data	
Weight [g]	139
Type of mounting	set screw
Materials	stainless steel (1.4404 / 316L)
Tightening torque [Nm]	8
Accessories	
Items supplied	set screw: 1/4"-28 UNF / M8 x 1,25 mm set screw: 1/4"-28 UNF
Remarks	
Pack quantity	1 pcs.
Electrical connection	
Connector: 1 x M12; coding: A	
	

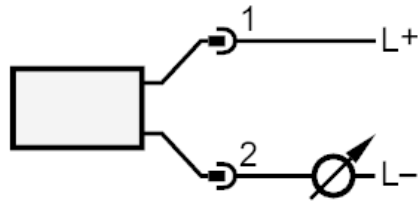
VTV12A



Vibration transmitter

VIBRATION TRANSMITTER

Connection



1	L+
2	4...20 mA