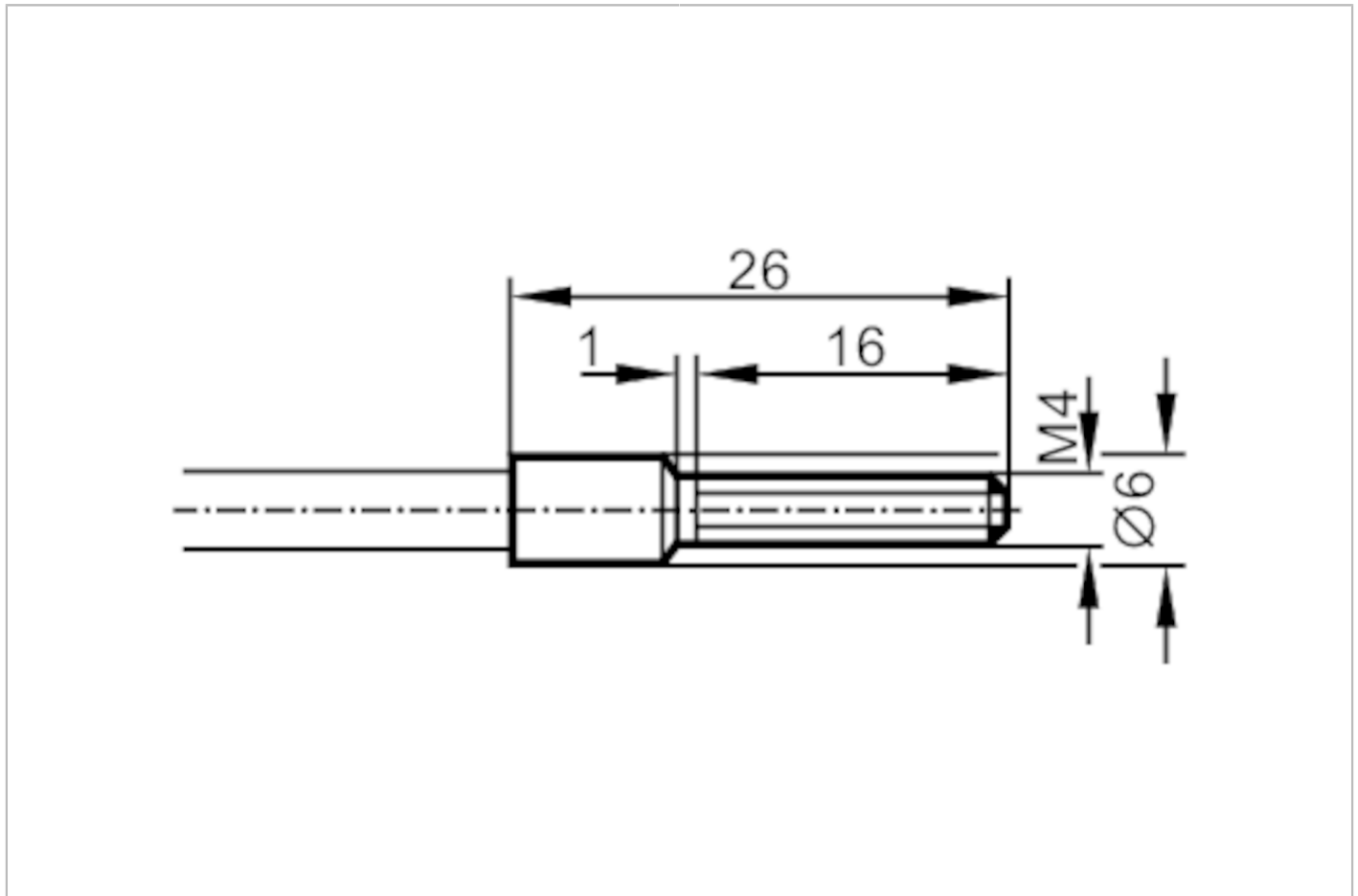


E20645



Fibre optic diffuse reflection sensor

FT-11-EPA-M4/F2X16X0,265/2M



Application	
Function principle	Diffuse reflection sensor
Application	Small bending radius
Detection zone	
Range with fibre optic amplifier type	OB50; OBF; OCF; OO50
OB50	
Range fibre optics [mm]	60
OBF	
Range fibre optics [mm]	70
OCF (High Power)	
Range fibre optics [mm]	620
OO50	
Range fibre optics [mm]	300
Operating conditions	
Ambient temperature [°C]	-40...70
Mechanical data	
Weight [g]	45.5
Version of sensing head	straight
Sensing head thread	M4

E20645



Fibre optic diffuse reflection sensor

FT-11-EPA-M4/F2X16X0,265/2M

Total length	[mm]	2000
Min. bending radius	[mm]	9
Fibre arrangement		●
Core diameter	[mm]	2 x 16 x 0.25
Fibre material		PMMA
Fibre head material		aluminium
Fibre sheath material		PE

Accessories

Items supplied	hexagon nuts: 2 x M4 tooth lock washers: 2
Accessories (optional)	Cutter for fibre optics:, E20600

Remarks

Pack quantity	1 pcs.
---------------	--------