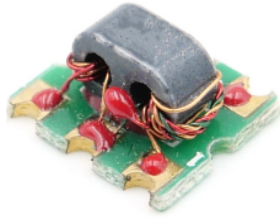


**H2TCM2-63WX+**



30-6000MHz

50Ω 1:2 Transmission Line Transformer

**Features**

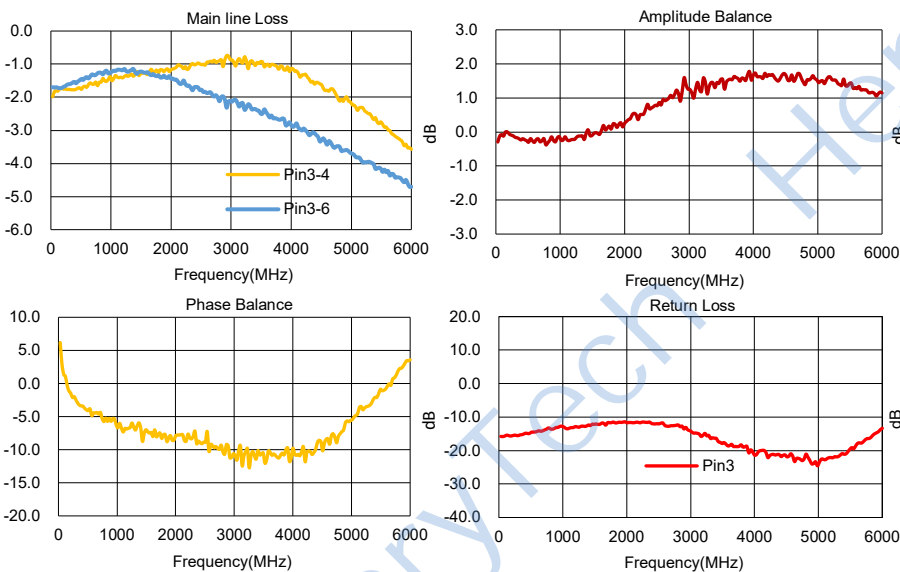
- Operating temperature range: -40℃ to +85℃
- Storage temperature range: -55℃ to +100℃
- 260℃ Reflow Compatible
- RoHS compliant and lead free
- Input Power: 400mW
- DC Current: 30mA

**Applications**

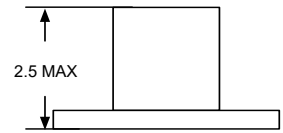
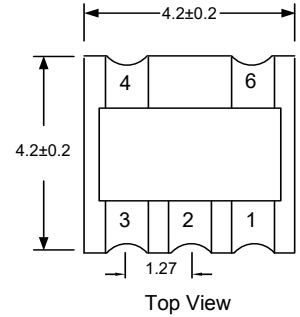
- For Motorola Walkie-talkie.
- For Car Streaming Media Rearview Mirror.
- For Broadband and Wireless Communications.
- For Wireless Microphone & Marine Communications.
- For Ideally Suited LTE, Cellular, UMTS, WiFi, WiMAX.
- For Differential Modulator/demodulator and Active Mixers.

**Electrical Specifications:TA=25℃, 0dBm, Z0=50Ω**

Parameter	Test Conditions	Units	Min	Typ	Max
Main line Loss (Pin3-4)	30-6000MHz	dB	—	3.0	3.5
Main line Loss (Pin3-6)	30-6000MHz	dB	—	4.0	4.5
Amplitude Balance	30-6000MHz	dB	0.0	1.0	2.8
Phase Balance	30-6000MHz	°	0.0	10.0	20.0
Input Return Loss(Pin3)	30-6000MHz	dB	12.0	16.0	—

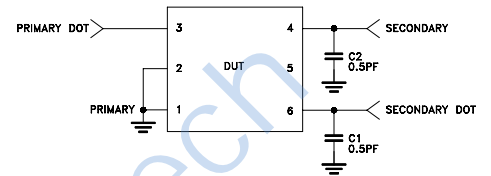


**Outline Drawing(mm)**

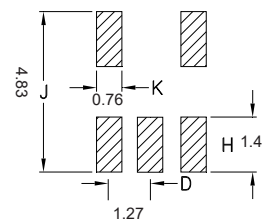


**Electrical structure**

Fig G



**Recommended layout(mm)**



**Pin Connections**

Input	3
Output 1	4
Output 2	6
Ground	2, 1