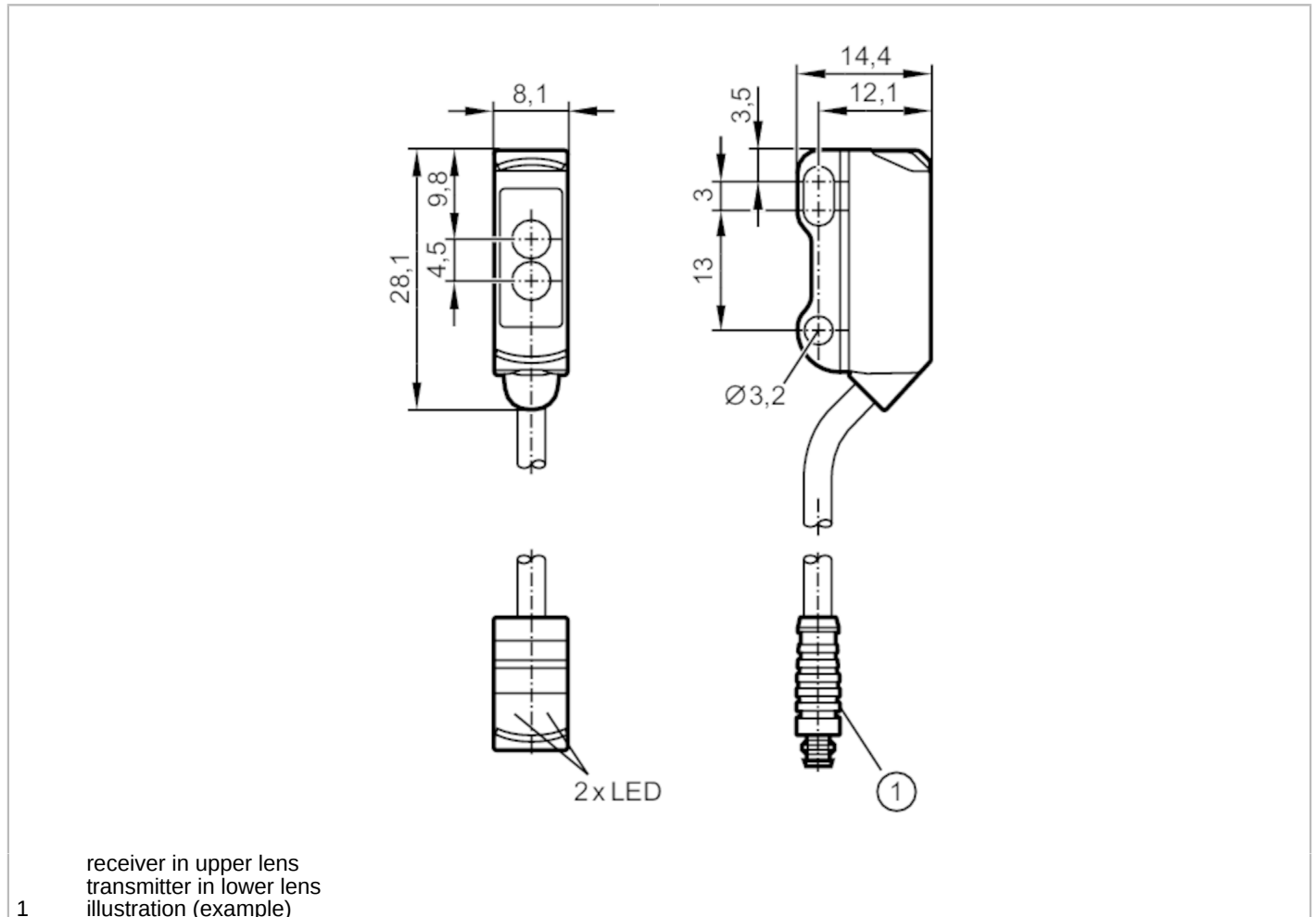


# O8P203



## Retro-reflective sensor

O8P-DNKG/0,30M/AS/3P



Product characteristics	
Type of light	red light
Housing	rectangular
Application	
Special feature	polarisation filter
Function principle	Retro-reflective sensor
Electrical data	
Operating voltage [V]	10...30 DC
Current consumption [mA]	20; ((24 V))
Protection class	III
Reverse polarity protection	yes
Type of light	red light
Wave length [nm]	633
Outputs	
Electrical design	NPN
Output function	dark-on mode

# O8P203



## Retro-reflective sensor

O8P-DNKG/0,30M/AS/3P

Max. voltage drop switching output DC	[V]	2.5
Permanent current rating of switching output DC	[mA]	100
Switching frequency DC	[Hz]	1000
Short-circuit protection		yes
Type of short-circuit protection		pulsed

Detection zone		
Range referred to prismatic reflector	[m]	0.02...1.8; (Prismatic reflector Ø 30 E20004)
Range adjustable		no
Max. light spot diameter	[mm]	120
Light spot dimensions refer to		at maximum range
Polarisation filter available		yes

Operating conditions		
Ambient temperature	[°C]	-25...60
Protection		IP 65; IP 67

Tests / approvals		
EMC		EN 60947-5-2
MTTF	[years]	1067
UL approval	Ta	-25...60 °C
	Enclosure type	Type 1
	power supply	Limited Voltage/Current
	UL Approval no.	E015
	File number UL	E174191

Mechanical data		
Weight	[g]	21.2
Housing		rectangular
Dimensions	[mm]	28.1 x 8.1 x 14.4
Materials		housing: ABS; stainless steel (1.4404 / 316L)
Lens material		PMMA
Lens alignment		side lens

Displays / operating elements		
Display	switching status	1 x LED, yellow
	operation	1 x LED, green

Remarks		
Pack quantity		1 pcs.

# O8P203



## Retro-reflective sensor

O8P-DNKG/0,30M/AS/3P

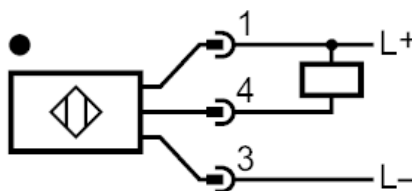
### Electrical connection

Cable: 0.3 m, PVC, black,  $\varnothing$  2.9 mm; 3 x 0.08 mm<sup>2</sup>

Connector: 1 x M8; coding: A

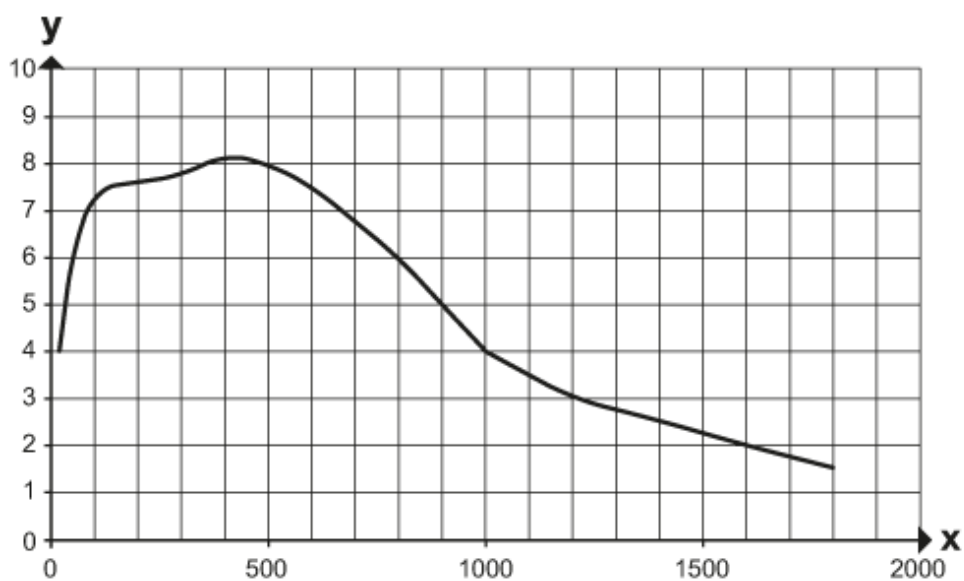


### Connection



### Diagrams and graphs

excess gain graph



x: distance [mm]

y: excess gain factor