

776308-1 ✓ ACTIVE

AMP | AMPSEAL 16

TE Internal #: 776308-1

Housing for Male Terminals, Wire-to-Wire, 4 Position, .236 in [6 mm] Centerline, Sealable, Black, Cable Mount (Free-Hanging), AMPSEAL 16

[View on TE.com >](#)



Connectors > Automotive Connectors > Automotive Housings > AMPSEAL 16 Housings



Connector System: **Wire-to-Wire**

Number of Positions: **4**

Connector & Housing Type: **Housing for Male Terminals**

Centerline (Pitch): **6 mm [.236 in]**

Sealable: **Yes**

[All AMPSEAL 16 Housings \(226\)](#)

Features

Product Type Features

Mixed & Hybrid Connector	No
Connector Shape	Rectangular
Connector System	Wire-to-Wire
Connector & Housing Type	Housing for Male Terminals
Sealable	Yes
Primary Locking Feature	Integrated in Housing

Configuration Features

Number of Positions	4
Number of Rows	2

Electrical Characteristics

Operating Voltage	12 VDC
Nominal Voltage Architecture	12 V



Body Features

Cable Exit Angle	180°
Primary Product Color	Black

Contact Features

Contact Type	Pin
Mating Pin Diameter	1.5 mm[.059 in]

Mechanical Attachment

Terminal Position Assurance	Yes
Strain Relief	Without
Mating Alignment Type	Polarizing Rib
Mating Alignment	With
Connector Mounting Type	Cable Mount (Free-Hanging)

Housing Features

Housing Material	PA GF
Centerline (Pitch)	6 mm[.236 in]

Dimensions

Connector Height	16.3 mm[.642 in]
Product Width	48.6 mm[1.913 in]
Product Length	19.8 mm[.78 in]
Row-to-Row Spacing	6.3 mm[.248 in]

Usage Conditions

Operating Temperature (Max)	70 °C, 75 °C, 80 °C, 85 °C, 90 °C, 100 °C, 105 °C[158 °F][167 °F][176 °F][185 °F][194 °F][212 °F][221 °F]
Operating Temperature Range	-40 – 105 °C[-40 – 221 °F]

Industry Standards

UL Flammability Rating	UL 94HB
------------------------	---------

Packaging Features

Packaging Quantity	550
Packaging Method	Package

Other

Serviceable	No
-------------	----

Connector Position Assurance Capable

No

Product Compliance

For compliance documentation, visit the product page on [TE.com](https://www.te.com)>

EU RoHS Directive 2011/65/EU

Compliant

EU ELV Directive 2000/53/EC

Compliant

China RoHS 2 Directive MIIT Order No 32, 2016

No Restricted Materials Above Threshold

EU REACH Regulation (EC) No. 1907/2006

Current ECHA Candidate List: JUNE 2023 (235)

Candidate List Declared Against: JUNE 2023 (235)

Does not contain REACH SVHC

Halogen Content

Low Halogen - Br, Cl, F, I < 900 ppm per homogenous material. Also BFR/CFR/PVC Free

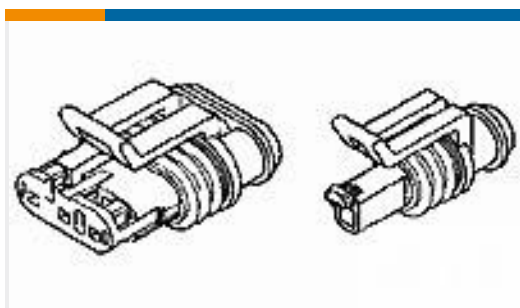
Solder Process Capability

Not reviewed for solder process capability

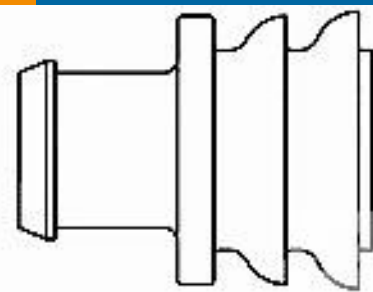
Product Compliance Disclaimer

This information is provided based on reasonable inquiry of our suppliers and represents our current actual knowledge based on the information they provided. This information is subject to change. The part numbers that TE has identified as EU RoHS compliant have a maximum concentration of 0.1% by weight in homogenous materials for lead, hexavalent chromium, mercury, PBB, PBDE, DBP, BBP, DEHP, DIBP, and 0.01% for cadmium, or qualify for an exemption to these limits as defined in the Annexes of Directive 2011/65/EU (RoHS2). Finished electrical and electronic equipment products will be CE marked as required by Directive 2011/65/EU. Components may not be CE marked. Additionally, the part numbers that TE has identified as EU ELV compliant have a maximum concentration of 0.1% by weight in homogenous materials for lead, hexavalent chromium, and mercury, and 0.01% for cadmium, or qualify for an exemption to these limits as defined in the Annexes of Directive 2000/53/EC (ELV). Regarding the REACH Regulation, the information TE provides on SVHC in articles for this part number is based on the latest European Chemicals Agency (ECHA) 'Guidance on requirements for substances in articles' posted at this URL: <https://echa.europa.eu/guidance-documents/guidance-on-reach>

Compatible Parts



TE Part # 282080-1
AMP SUPERSEAL 1.5 SERIES 2P PL



TE Part # 281934-2
SINGLE WIRE SEAL



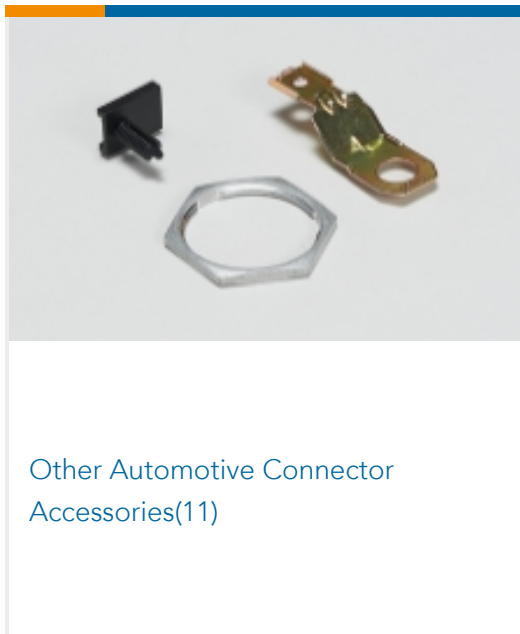
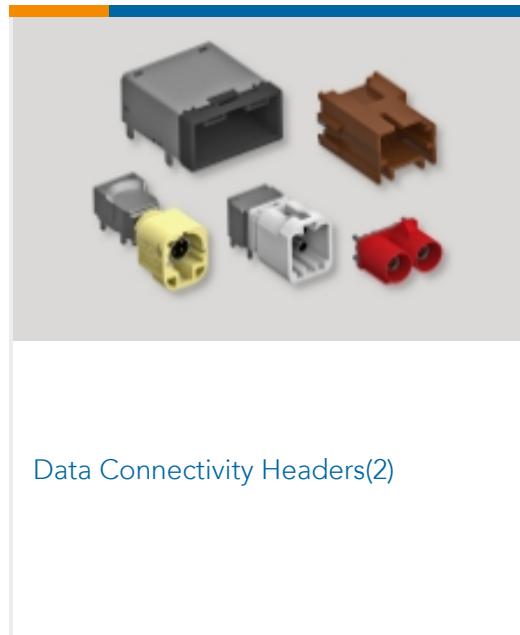
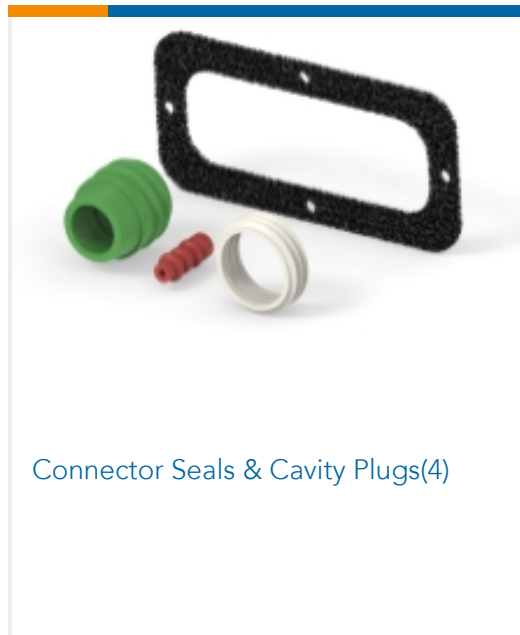
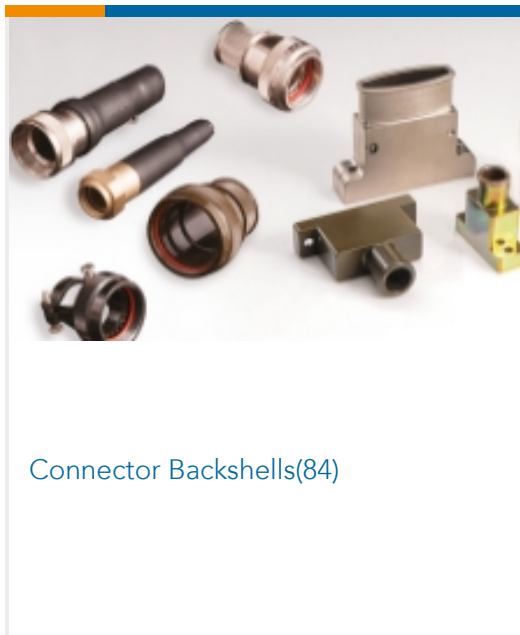
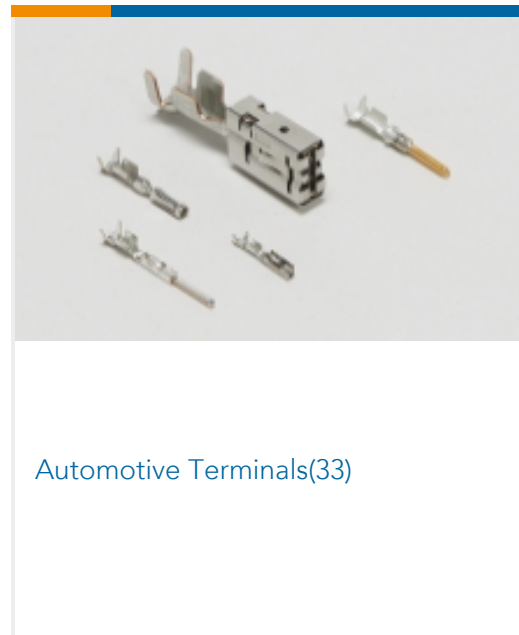
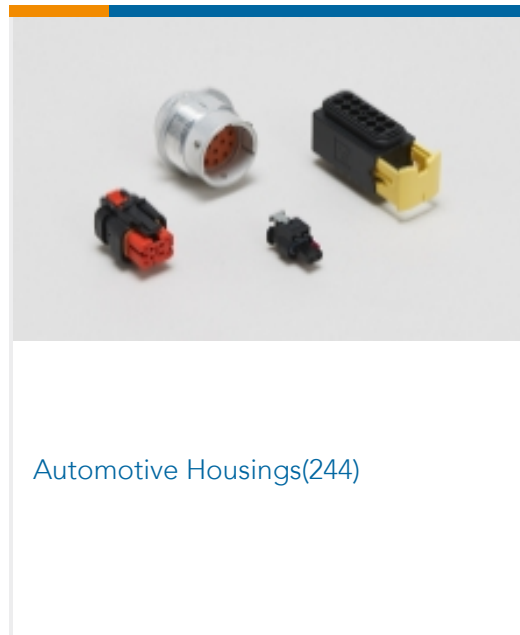
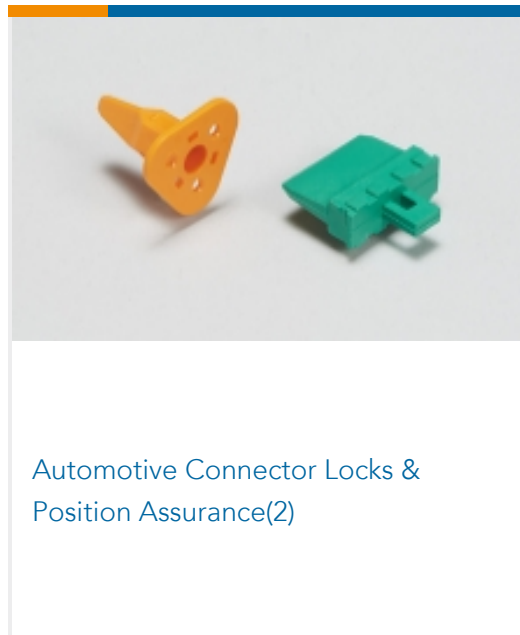
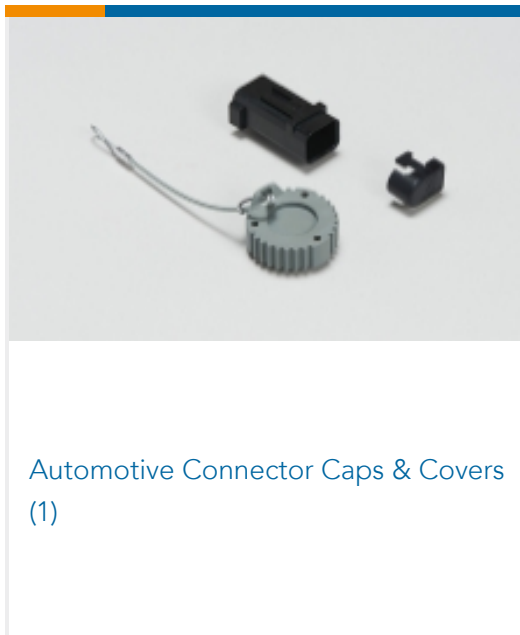
TE Part # CAT-M9194-T273
MULTILOCK, RECEPTACLE AND TAB



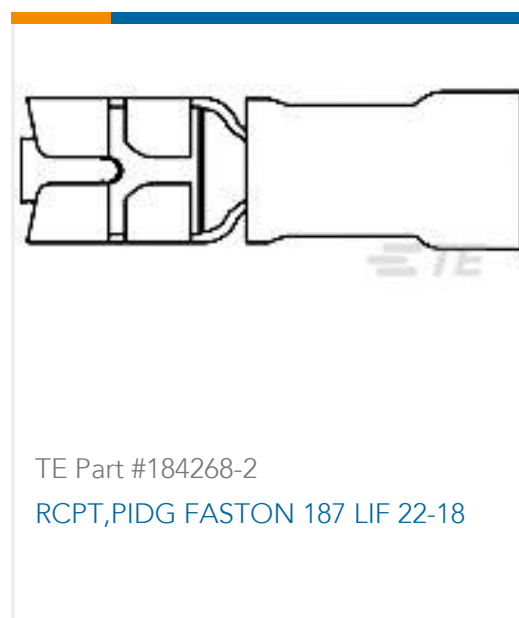
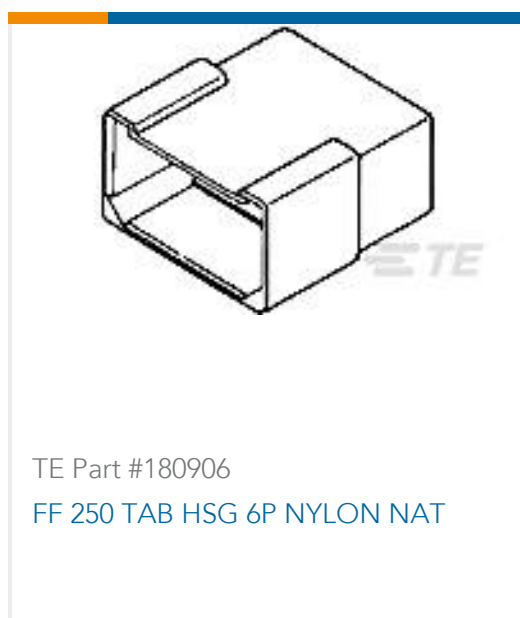
TE Part # 776310-1
SECONDARY LOCK



Also in the Series | AMPSEAL 16



Customers Also Bought





Documents

Product Drawings

CAP HOUSING 4 POSITION

English

CAD Files

3D PDF

English

Customer View Model

[ENG_CVM_776308-1_A.2d_dxf.zip](#)

English

Customer View Model

[ENG_CVM_776308-1_A.3d_igs.zip](#)

English

Customer View Model

[ENG_CVM_776308-1_A.3d_stp.zip](#)

English

By downloading the CAD file I accept and agree to the [Terms and Conditions](#) of use.

Datasheets & Catalog Pages

ICT Terminals and Connectors Catalogue

English

Product Specifications

Application Specification

English

Instruction Sheets

Instruction Sheet (U.S.)

776308-1

Housing for Male Terminals, Wire-to-Wire, 4 Position, .236 in [6 mm] Centerline,
Sealable, Black, Cable Mount (Free-Hanging), AMPSEAL 16



English