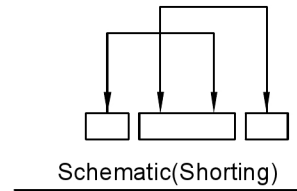
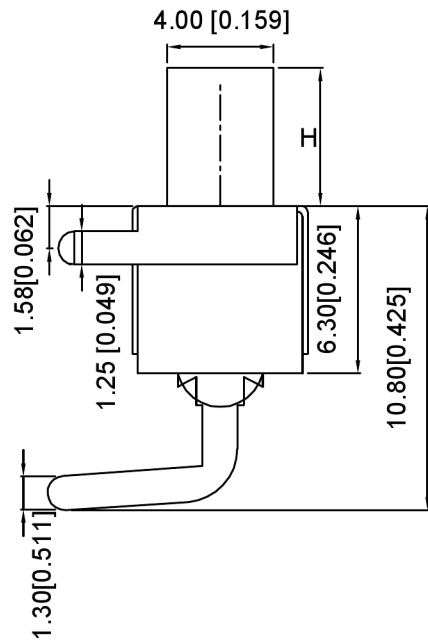
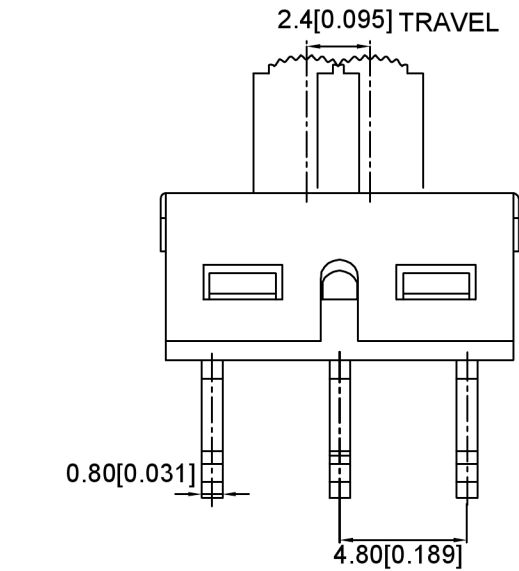
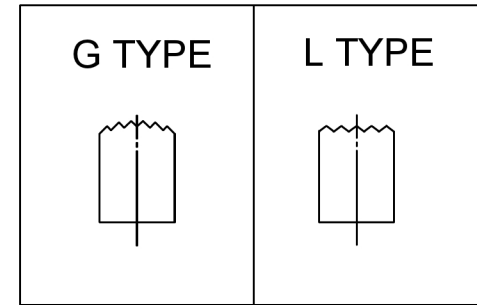
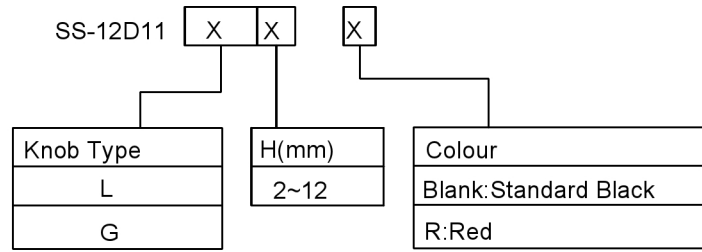


MODEL CODE



Typical Specifications

- 1.Rating:AC 125V 3A
- 2.Insulation Resistance:1,000M min
- 3.Dielectric strength:1,500V RMS
- 4.Operating Life: 10,000 cycles

⑤	Terminal	—	3	Copper Alloy	silver plated	—
④	Contact	—	1	Copper Alloy	silver plated	—
③	Housing	—	1	Stainless Steel		—
②	Slide Handle	—	1	Nylon		—
①	Case	—	1	Diallyl Phthalate (DAP)		—
ITEM	PAPT NAME	TER,NO	QTY	MATERIAL	FINISHING	REMARK

广东星坤科技股份有限公司
日期
文件工程章

ANGLAR	±5°
L ≤ 4	±0.2
4 < L ≤ 16	±0.3
16 < L ≤ 63	±0.4
L > 63	±0.5
UNSPECIFIED TOLERANCES	



DSND		SCALE: N/A	MODEL TYPE: SLIDE SWITCH
DWN		VIEW:	PART NO.: SS-12D11XXX
CHKD		UNIT: mm/in	DWG NO.:
APPD		SIZE: A4	
XKB INDUSTRIAL PRECISION CO., LIMITED			WEIGHT
			SHEET
			REVISIC
			1/1
			A0