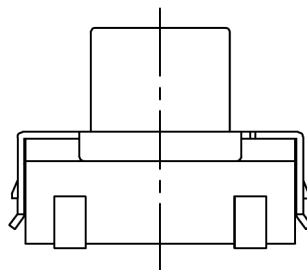
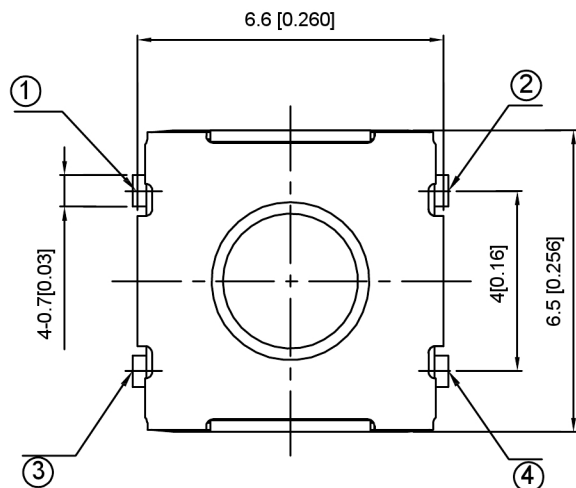


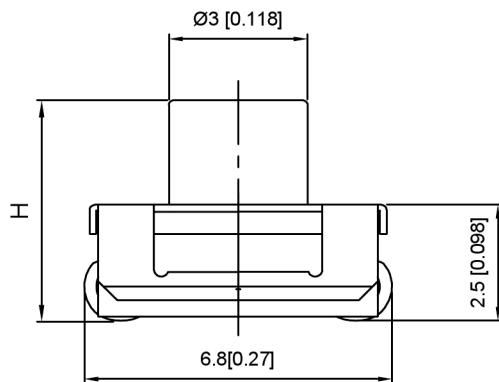
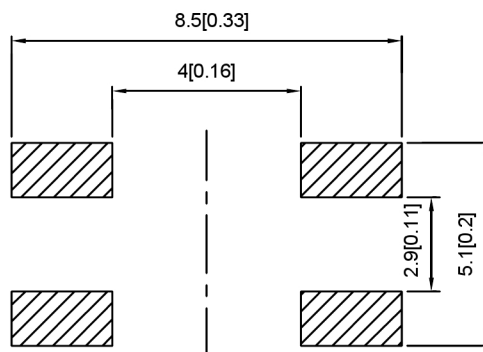
# IP65



## SPECIFICATION

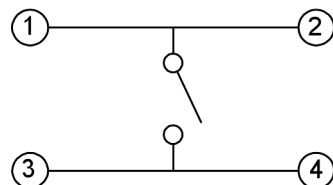
Contact Rating: 50mA, 12V DC  
 Contact Resistance: 100MΩ max  
 Insulation Resistance: 100MΩ min. 500V DC  
 Dielectric Strength: 250V AC/1minute  
 Travel: 0.25mm  
 Operating Temp: -30°C ~ +85°C  
 Storage Temp: -30°C ~ +80°C

## SMD REFLOW PATTERN(N/S:±0.1)



PAPT NO	TS-1158UB-X-X-X
Operating Force	B:180gf C:260gf E:400gf
Height	H: A:3.1 B:3.5 C:4.3 D:5.0
Color	BL:blue W:white

## CIRCUIT DIAGRAM



ITEM	PAPT NAMF	TER,NO	QTY	MATERIAL	FINISHING	REMARK
⑤	Terminal	—	4	Brass (0.30t)	Plating silvering	———
④	Contact	—	1	F.ag/Sus	Natural	———
③	Base	—	1	PA46		———
②	Cover	—	1	SPSS	Plating Nickel	———
①	Keystake	—	1	Silica gel		———

广东星坤科技股份有限公司

日期  
 文件工程章

文件工程章

REVISIONS	DATE	REVISED	APPROVED	UNSPECIFIED TOLERANCES
ANGLAR				±5°
L ≤ 4				±0.2
4 < L ≤ 16				±0.3
16 < L ≤ 63				±0.4
L > 63				±0.5

DSND	SCALE: N/A	MODEL TYPE: TACT SWITCH
DWN	VIEW:	PART NO.: TS-1158UB-X-X-X
CHKD	UNIT: mm/in	DWG NO.:
APPD	SIZE: A4	
XKB INDUSTRIAL PRECISION CO., LIMITED		WEIGHT
		SHEET 1/1
		REVISIC A0

