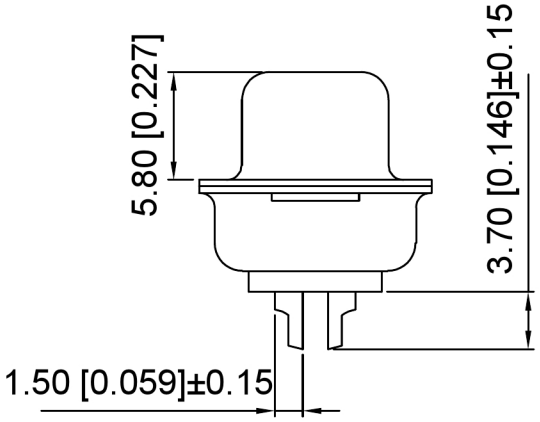
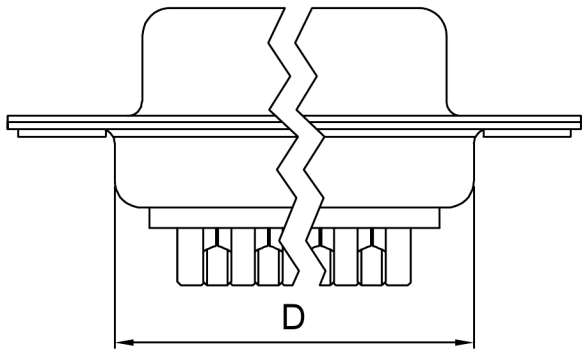


2.84 [0.112]

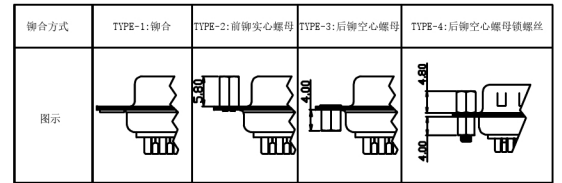


Specifications:  
规格:  
1.Voltage rating:250VAC/DC  
额定电压: 250V AC/DC  
2.Current rating:3A AC/DC  
额定电流: 3A AC/DC  
3.Withstanding voltage:500V AC/minute  
耐受电压: 500V AC/分钟  
4.Temperature range: -55℃-+105℃  
温度范围: -55℃-+105℃  
5.Insulation resistance:1000MΩ MIN  
绝缘电阻: 1000MΩ MIN  
6.Contact resistance:30mΩ Max  
接触电阻: 30mΩ Max  
Material:  
材料:  
7.Rubber core:PBT UL94V-0  
胶芯: PBT UL94V-0  
8.The iron shell:SPCC-SD Nivkel Plating/Tin Plating/Gold Plating  
铁壳: SPCC-SD, 镀镍/镀锡/镀金  
9.Terminal:Copper alloy  
端子: 铜合金

X01 XX F X X X X  
① ② ③ ④ ⑤ ⑥ ⑦

- ① Series NO.
- ② Row No.Pin No.XX-09:15;25;37
- ③ Welding Board Angle :F-Female
- ④ T: Traditional C: Car-pin
- ⑤ Planting Category: 1:1U 2:2U 3:3U 4:5U 5:15U 6:30U 7:AuSn
- ⑥ Color:B-BLACK W-White BL-Blue
- ⑦ 1:TYPE-1; 2:TYPE-2; 3:TYPE-3; 4:TYPE-4

NUMBER OF POSITIONS	DIMENSION			
	A±0.25	B±0.13	C±0.38	D±0.25
9	16.35	24.99	30.80	19.28
15	24.75	33.30	39.20	27.65
25	38.35	47.04	53.05	41.28
37	54.75	63.50	69.40	57.71



广东星坤科技股份有限公司

审核	日期
生效	日期
MARK	DESCRIPTION

REVISIONS	DATE	REVISED	APPROVED	ANGLAR ±5°
				L ≤ 4 ±0.2
				4 < L ≤ 16 ±0.3
				16 < L ≤ 63 ±0.4
				L > 63 ±0.5
				UNSPECIFIED TOLERANCES



DSND	SCALE: N/A
DWN	VIEW:
CHKD	UNIT: mm/in
APPD	SIZE: A4

MODEL TYPE: D-SUB		
PART NO.: X01XXFXXXX		
DWG NO.: X-X01XXFXXXX		
WEIGHT	SHEET 1/1	REVISIT A0

XKB INDUSTRIAL PRECISION CO.,LIMITED

文件工程章