

## 800mA Single Chip Li-Ion and Li-Polymer Charger

### General Description

The LP4069 is a complete constant-current/ constant voltage linear charger for single cell lithium-ion battery. Its SOT23-6/DFN-8 package and low external component count make the LP4069 ideally suited for portable applications. No external sense resistor is needed, and no blocking diode is required due to the internal MOSFET architecture. Thermal feedback regulates the charge current to limit the die temperature during high power operation or high ambient temperature. The charge voltage is fixed at 4.2V/4.35V/4.4V, and the charge current can be ISET programmed externally with a single resistor.

The LP4069 automatically terminates the charge cycle when the charge current drops to 1/10 setting current value after the final float voltage is reached.

When the input supply is removed, the LP4069 automatically enters a low current state, dropping the battery drain current to less than 1µA.

Other features include charge current monitor, under voltage lockout, automatic recharge and a status pin.

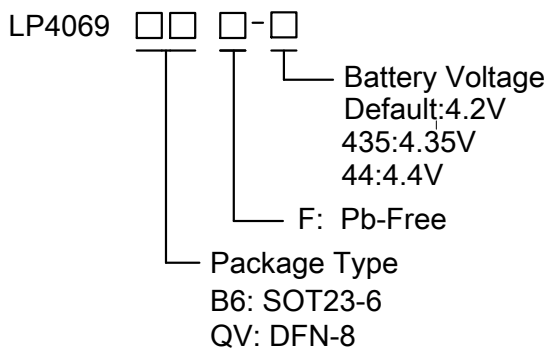
### Features

- ◆ Input Voltage up to 28V
- ◆ Input Over Voltage Protection : 7V
- ◆ Short-circuit protection
- ◆ Programmable Charge Current up to 800mA
- ◆ 1µA Battery Reverse Current
- ◆ Protection of Reverse Connection of Battery
- ◆ No MOSFET, Sense Resistor or Blocking Diode Required
- ◆ Constant-Current/Constant-Voltage Operation with Thermal Regulation to Maximize Charge Rate Without Risk of Overheating
- ◆ SOT23-6/DFN-8 ( 2\*2mm ) Package
- ◆ RoHS Compliant and 100% Lead (Pb)-Free

### Applications

- ✧ Portable Media Players/Game
- ✧ Power Bank
- ✧ Bluetooth Applications
- ✧ PDA/MID

### Order Information

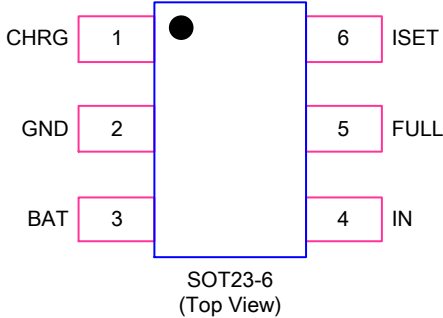
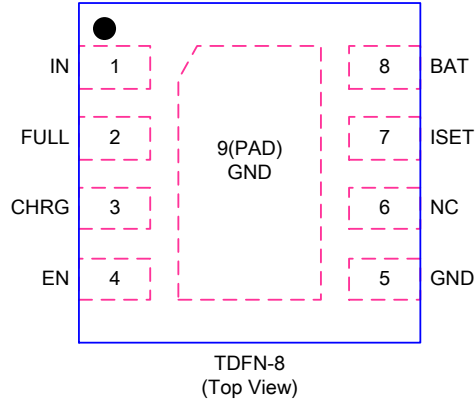


### Marking Information

| Device        | Marking          | Package | Shipping |
|---------------|------------------|---------|----------|
| LP4069B6F     | LP4069<br>YWXXX  | SOT23-6 | 3K/REEL  |
| LP4069QVF     | LP4069<br>YWX    | DFN-8   | 4K/REEL  |
| LP4069QVF-435 | LP4069<br>435YWX | DFN-8   | 4K/REEL  |
| LP4069QVF-44  | LP4069<br>44YWX  | DFN-8   | 4K/REEL  |

Marking indication:  
Y: Production year W: Production week X: Series Number

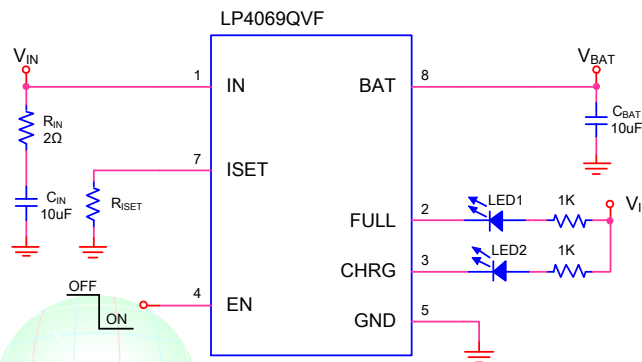
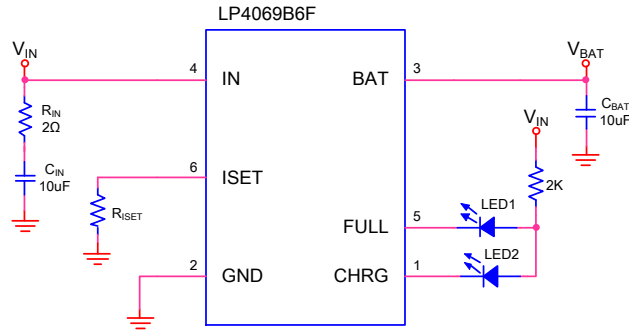
## Functional Pin Description

| Package Type       | SOT23-6   | DFN-8   |
|--------------------|---|---|
| Pin Configurations |  <p>SOT23-6 (Top View)</p> |  <p>TDFN-8 (Top View)</p> |

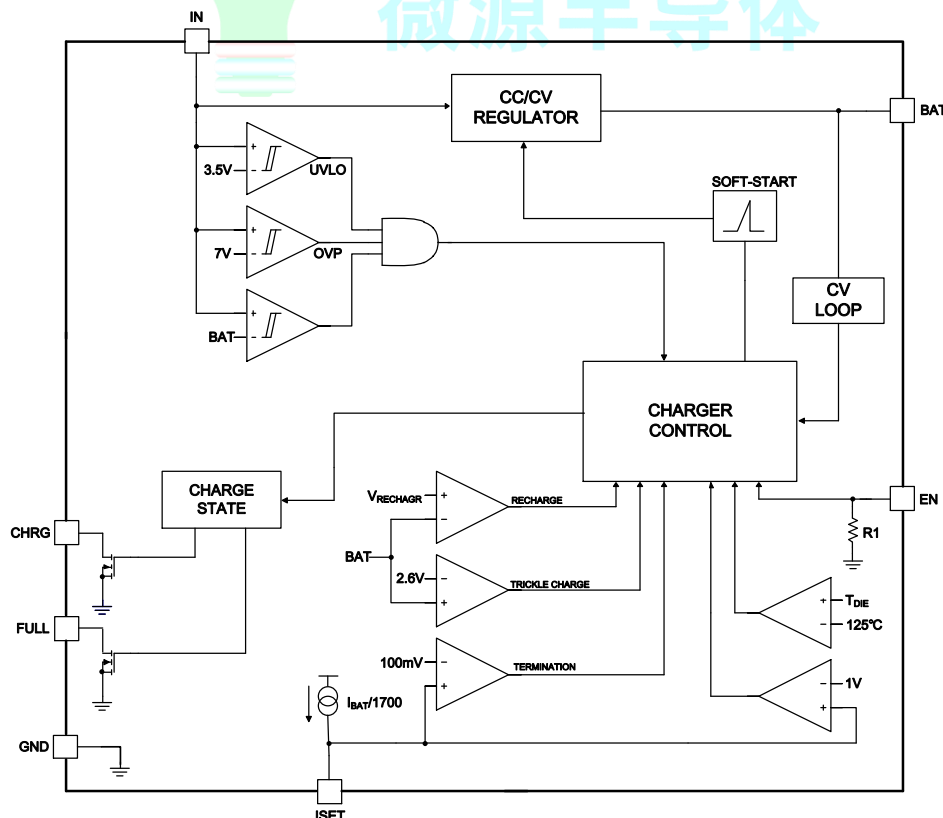
## Pin Description

| NAME | Pin     |       | DESCRIPTION   |
|------|---------|-------|---|
|      | SOT23-6 | DFN-8 |   |
| CHRG | 1       | 3     | Open-Drain Charge Status Output. When the battery is charging, the CHRG pin is pulled low by an internal N-MOS. When the charge cycle is completed, the pin could be pulled High by an external pull high resistor. |
| GND  | 2       | 5     | GND is the connection to system ground.   |
| BAT  | 3       | 8     | BAT is the connection to the battery. Typically a 10μF Tantalum capacitor is needed for stability when there is no battery attached. When a battery is attached, only a 1uF ceramic capacitor is required.          |
| IN   | 4       | 1     | IN is the input power source. Connect to a wall adapter.  |
| FULL | 5       | 2     | Open-Drain Charge Status Output. When the battery is charging, the FULL pin could be pulled High by an external pull high resistor. When the charge cycle is completed, the pin is pulled Low by an internal N-MOS. |
| ISET | 6       | 7     | Charge Current Program. The charge current is programmed by connecting a 1% resistor( $R_{ISET}$ ) to ground.<br>$I_{BAT} = \frac{1700 \times V_{ISET}}{R_{ISET}}$  |
| EN   |         | 4     | Charge Enable Input (active low).   |
| NC   |         | 6     | No Connector.   |

## Typical Application Circuit



## Functional Block Diagram



## Absolute Maximum Ratings Note 1

- ✧ Input Voltage to GND ----- -0.3V to 28V
- ✧ BAT Voltage GND ----- - 5V to 15V
- ✧ Other pin to GND ----- -0.3V to 6.5V
- ✧ Maximum Junction Temperature (T<sub>J</sub>) ----- 125°C
- ✧ Operating Junction Temperature Range ----- -20°C to 85°C
- ✧ Storage Temperature ----- -60°C to 125°C

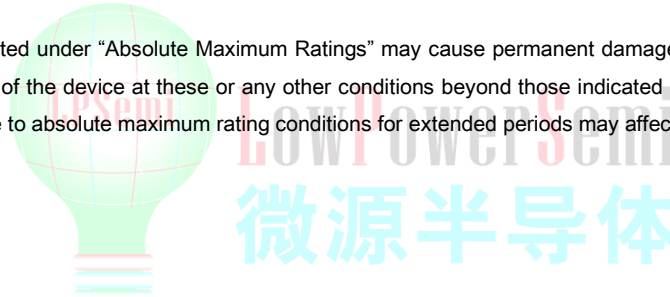
## Thermal Information

- ✧ Thermal Resistance (SOT23-6,θ<sub>JA</sub>) ----- 200°C/W
- ✧ Thermal Resistance (DFN-8,θ<sub>JA</sub>) ----- 76°C/W

## ESD Susceptibility

- ✧ HBM(Human Body Model) ----- 2KV
- ✧ MM(Machine Model) ----- 200V

**Note 1.** Stresses beyond those listed under “Absolute Maximum Ratings” may cause permanent damage to the device. These are stress ratings only, and functional operation of the device at these or any other conditions beyond those indicated in the operational sections of the specifications is not implied. Exposure to absolute maximum rating conditions for extended periods may affect device reliability.

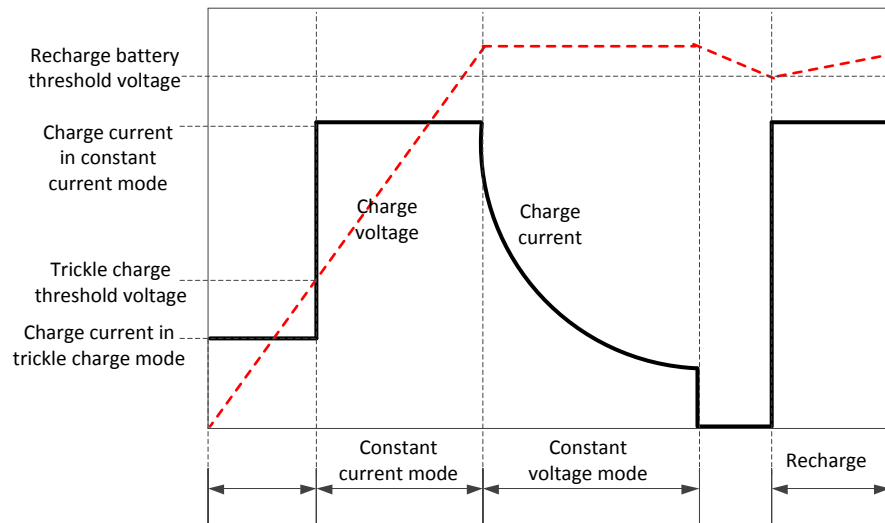


## Electrical Characteristics

( $T_A=25^{\circ}\text{C}$ ,  $V_{IN}=5\text{V}$ , unless otherwise noted.)

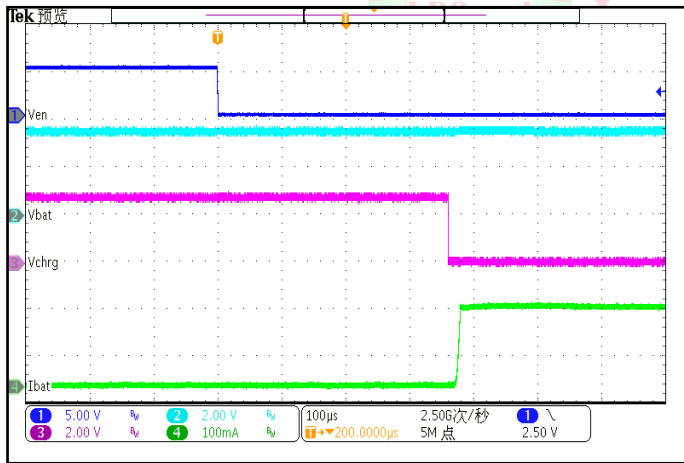
| SYMBOL              | PARAMETER   | CONDITIONS   | MIN   | TYP. | MAX   | UNITS              |
|---------------------|---|--|-------|------|-------|--------------------|
| $V_{IN}$            | Input Voltage                                     |  | 4.5   | 5    | 6     | V                  |
| $I_{IN}$            | Input Supply Current                              | $I_{BAT}=4.4\text{V}$  |       | 180  |       | $\mu\text{A}$      |
| $V_{FLOAT}$         | Regulated Output (Float) Voltage                  | $I_{BAT}=40\text{mA}$ ,  | 4.158 | 4.2  | 4.242 | V                  |
|                     |   |  | 4.301 | 4.35 | 4.394 | V                  |
|                     |   |  | 4.356 | 4.4  | 4.444 | V                  |
| $V_{UV}$            | $V_{IN}$ Under Voltage Lockout Threshold          | $V_{IN}$ Rising  |       | 3.5  |       | V                  |
| $V_{OVP}$           | Input Voltage OVP                                 | $V_{IN}$ Rising  |       | 7    |       | V                  |
| $V_{OVP\_HYS}$      | OVP Hysteresis                                    |  |       | 150  |       | mV                 |
| $I_{BAT}$           | BAT Pin Current                                   | $R_{ISET}=3.4\text{K}$ , Current Mode                          |       | 500  |       | mA                 |
|                     |   | $R_{ISET}=17\text{K}$ , Current Mode                           |       | 100  |       | mA                 |
|                     |   | $V_{BAT}=4.2\text{V}$ ( $V_{IN}=\text{float}$ or $0\text{V}$ ) |       | 1    |       | $\mu\text{A}$      |
| $I_{TRIKL}$         | Trickle Charge Current                            | $V_{BAT}<V_{TRIKL}$ , $R_{ISET}=10\text{K}$ , Current Mode     |       | 10   |       | $\%I_{BAT}$        |
| $V_{TRIKL}$         | Trickle Charge Threshold Voltage                  | $V_{BAT}$ Rising   |       | 2.6  |       | V                  |
| $V_{TRHYS}$         | Trickle Charge Hysteresis Voltage                 |  |       | 150  |       | mV                 |
| $I_{TERM}$          | Termination Current Threshold                     |  |       | 10   |       | $\%I_{BAT}$        |
| $V_{ISET}$          | ISET Pin Voltage                                  | $R_{ISET}=10\text{K}$ , Current Mode                           |       | 1    |       | V                  |
| $I_{CHRG}$          | CHRG/FULL Pin Weak Pull-Down Current              | $V_{CHRG}=5\text{V}$   |       |      | 5     | $\mu\text{A}$      |
| $V_{CHRG}$          | CHRG/FULL Pin Output Low Voltage                  | $I_{CHRG}=5\text{mA}$  |       |      | 0.5   | V                  |
| $\Delta V_{RECHRG}$ | Recharge Battery Threshold Voltage                | $V_{FLOAT}-V_{RECHRG}$   |       | 150  |       | mV                 |
| $V_{ASD}$           | $V_{IN} - V_{BAT}$ Lockout Threshold Voltage      | $V_{BAT}=3.5\text{V}$ , $V_{IN}$ Rising                        |       | 90   |       | mV                 |
| $V_{EN\_ON}$        | EN Logic-Low Voltage Threshold                    |  |       |      | 0.4   | V                  |
| $V_{EN\_OFF}$       | EN Logic-High Voltage Threshold                   |  | 1.4   |      |       | V                  |
| $T_{LIM}$           | Junction Temperature in Constant Temperature Mode |  |       | 125  |       | $^{\circ}\text{C}$ |

## Typical Charging Profile

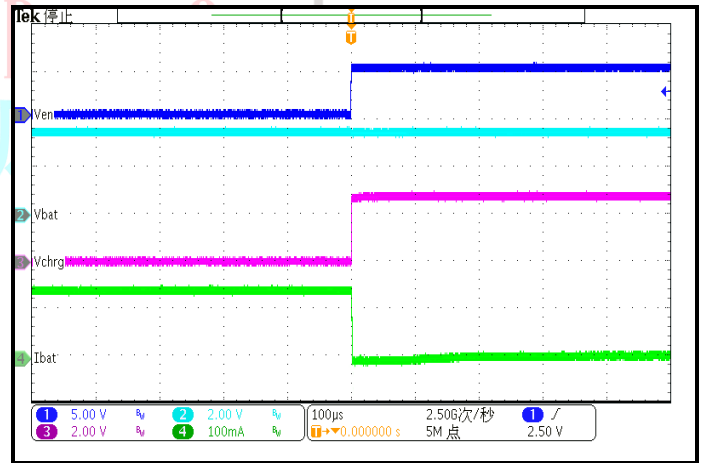


## Application Performance Curves

( $C_{IN}=C_{OUT}=10\mu F$ ,  $R_{ISET}=10K$ , unless otherwise noted)



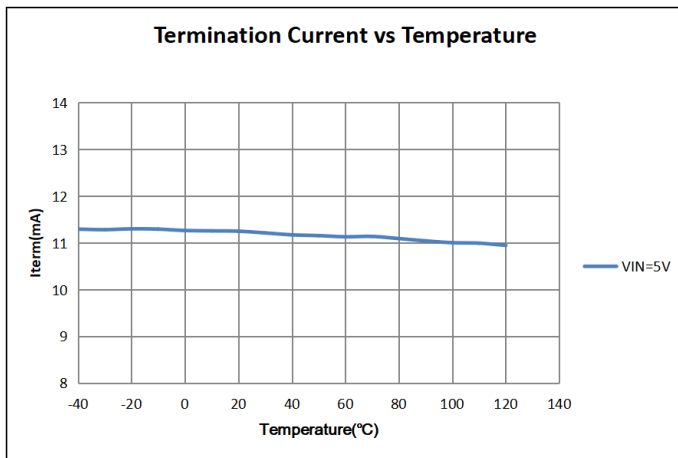
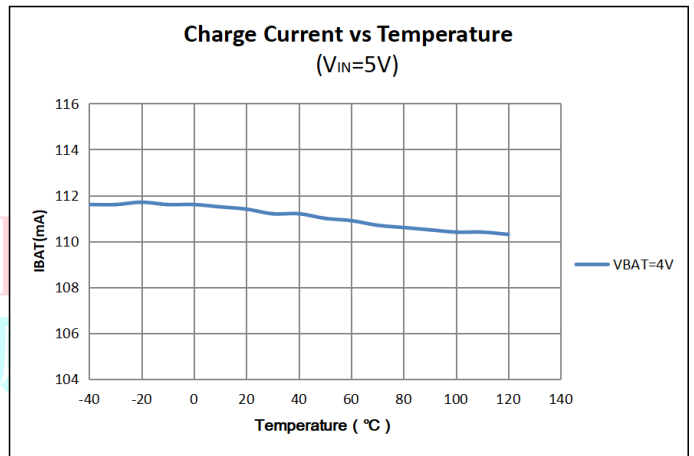
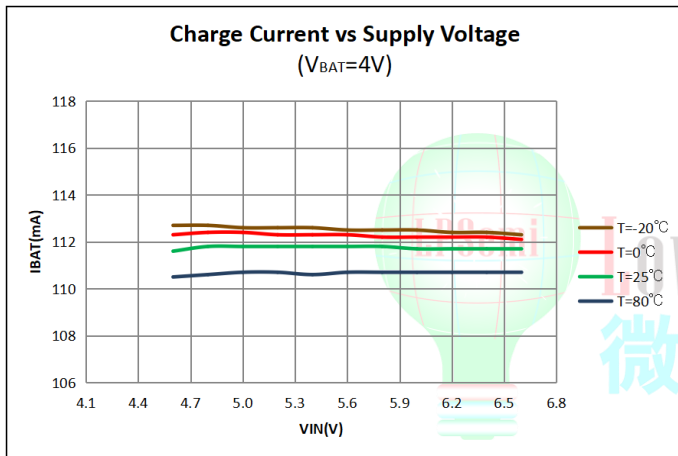
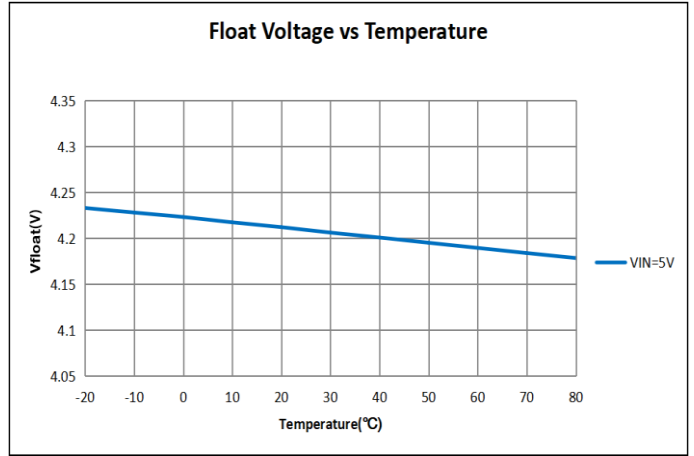
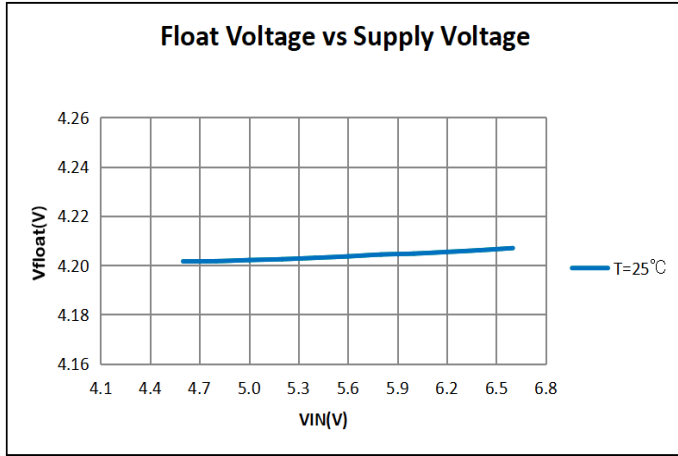
VBAT=3.5V , EN Enable



VBAT=3.5V , EN Disable

## Typical Performance Characteristics

( $C_{IN}=C_{OUT}=10\mu F, R_{ISET}=16K\Omega, V_{FLOAT}=4.2V$ , unless otherwise noted)



## Application Information

The LP4069 has built-in input voltage surge protection as high as +28V. The charger IC will be automatically disabled when the input voltage is higher than 7V. A charge cycle begins when the voltage at the VIN pin rises above the V<sub>UV</sub> and sleep thresholds (V<sub>IN</sub>>V<sub>BAT</sub>+V<sub>ASD</sub>), when a battery is connected to the charger output. If the BAT pin is less than V<sub>TRIKL</sub>, the charger enters trickle charge mode. In this mode, the LP4069 supplies approximately 1/10 the ISET programmed charge current to bring the battery voltage up to a safe level for full current charging. When the BAT pin voltage rises above V<sub>TRIKL</sub>, the charger enters constant-current mode(CC), where the ISET programmed charge current is supplied to the battery. When the BAT pin approaches the final float voltage, the LP4069 enters constant-voltage mode(CV) and the charge current begins to decrease, and the battery full indication is set when the charge current in the CV mode is reduced to the programmed full battery current (1/10).

### Charge Termination

A charge cycle is terminated when the charge current falls to 1/10th the ISET programmed value after the final float voltage is reached. This condition is detected by using an internal, filtered comparator to monitor the ISET pin. When the ISET pin voltage falls below 100mV for longer than t<sub>TERM</sub>(typically 1ms), charging is terminated.

### Charge Current Program

The charge current (I<sub>BAT</sub>) is set by a resistor (R<sub>ISET</sub>) connecting from the ISET pin to GND. The relationship of the charge current and the programming resistance is established by the following equations ( V<sub>ISET</sub>=1V ) .

$$I_{BAT} = \frac{1700 \times V_{ISET}}{R_{ISET}}$$

### Automatic Recharge

Once the charge cycle is terminated, the LP4069 continuously monitors the voltage on the BAT pin. A charge cycle restarts when the battery voltage falls below recharge threshold voltage(which corresponds to approximately 80% to 90% battery capacity).This ensures that the battery is kept at or near a fully charged condition and eliminates the need for periodic charge cycle initiations.

### Charge Status Indicator(CHRG/FULL)

After application of a 5V source, the input voltage rises above the V<sub>UV</sub> and sleep thresholds (V<sub>IN</sub>>V<sub>BAT</sub>+V<sub>ASD</sub>), but is less than OVP (V<sub>IN</sub><V<sub>OVP</sub>), CHRG has two different states: strong pull-down (~5mA) and high impedance. The strong pull-down state indicates that the LP4069 is in a charge cycle. When the charger is entered CV mode and once the charge current has reduced to the battery full charge current threshold (I<sub>TERM</sub>), the CHRG pin will become high impedance.

| Function      | CHRG | FULL |
|---------------|------|------|
| Charging      | Low  | Hi-Z |
| Charge Finish | Hi-Z | Low  |

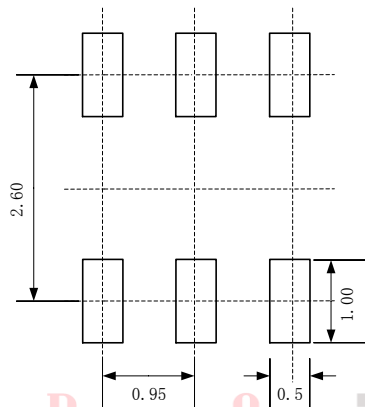
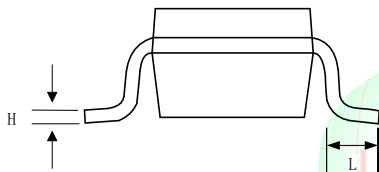
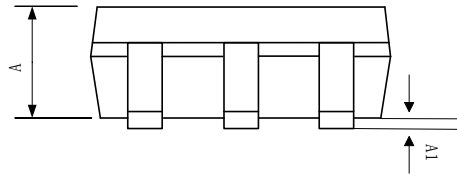
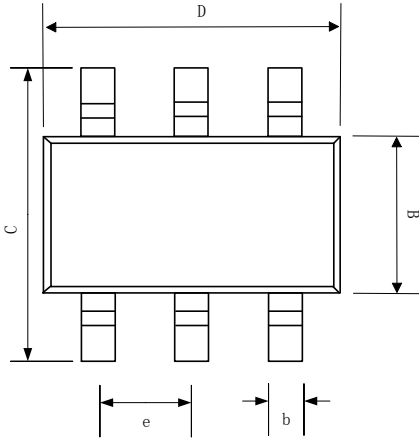
### Thermal Limit

An internal thermal feedback loop reduces the I<sub>SET</sub> programmed charge current if the die temperature attempts to rise above a preset value of approximately 125°C. This feature protects the LP4069 from excessive temperature and allows the user to push the limits of the power handling capability of a given circuit board without risk of damaging the LP4069. The charge current can be set according to typical (not worst-case) ambient temperature with the assurance that the charger will automatically reduce the current in worst-case conditions.



## Packaging Information

### SOT23-6

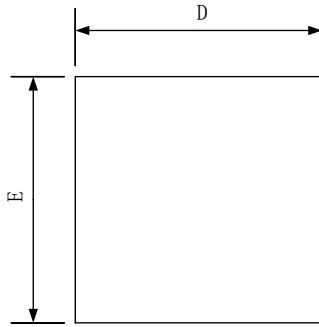


Recommended Land Pattern

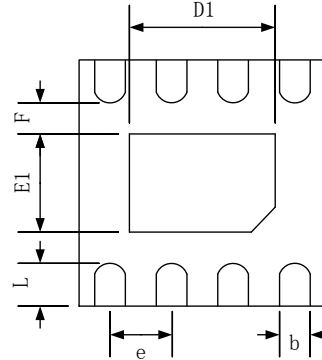
| SYMBOL | MILLIMETER |       |       |
|--------|------------|-------|-------|
|        | MIN        | NOM   | MAX   |
| A      | 0.889      | 1.100 | 1.295 |
| A1     | 0.000      | 0.050 | 0.152 |
| B      | 1.397      | 1.600 | 1.803 |
| b      | 0.28       | 0.35  | 0.559 |
| C      | 2.591      | 2.800 | 3.000 |
| D      | 2.692      | 2.920 | 3.120 |
| e      | 0.95BSC    |       |       |
| H      | 0.080      | 0.152 | 0.254 |
| L      | 0.300      | 0.450 | 0.610 |



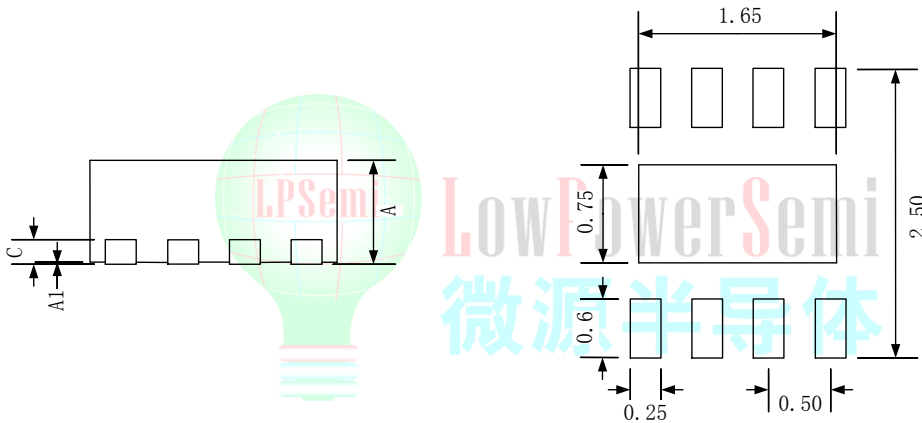
DFN-8



TOP VIEW



BOTTOM VIEW



SIDE VIEW

Recommended Land Pattern

| SYMBOL | Dimensions In Millimeters |      |      |
|--------|---------------------------|------|------|
|        | MIN                       | NOM  | MAX  |
| A      | 0.70                      | 0.75 | 0.80 |
| A1     | 0.00                      | 0.02 | 0.05 |
| b      | 0.18                      | 0.25 | 0.30 |
| c      | 0.20 REF                  |      |      |
| D      | 1.90                      | 2.00 | 2.10 |
| D1     | 1.10                      | 1.30 | 1.65 |
| E      | 1.90                      | 2.00 | 2.10 |
| E1     | 0.60                      | 0.75 | 0.85 |
| e      | 0.50 BSC                  |      |      |
| L      | 0.25                      | 0.35 | 0.40 |
| F      | 0.25                      | 0.30 | 0.35 |