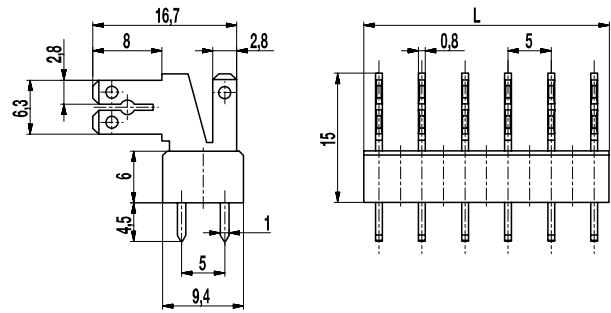
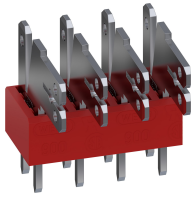


# 900-W-5

Tab connector  
 Tabs with 90° angle



## GENERAL INFORMATION

Pitch	5 mm
No. of poles	2 - 25

## TECHNICAL DATA

Overvoltage Category	III	III	II
Pollution Severity Level	3	2	2
Rated Voltage	320 V	320 V	630 V
Rated Impulse Voltage	4 kV	4 kV	4 kV
Rated Insulation Voltage	450 V acc. to EN 60998-1		
Rated Current	7,5 A: with receptacles 2,8; wire 1 mm <sup>2</sup> (16 AWG) 15 A: with receptacles 6,3; wire 2,5 mm <sup>2</sup> (14 AWG)		
Hole in PCB	ø 1,6 mm		
Other specifications	Indicated rated voltages refer to applications with insulation receptacles		

## APPROVALS

	Current [A]	Voltage [V]	Group	AWG	[Nm]
	15	150	B		
	15	300	B		
	10	300	D, E		

## MATERIAL

Moulding	PA, red, V-0
Comparative Tracking Index	CTI ≥ 600
Insulating Group	I
Temperature Range	-40°C up to 100°C
Solder pin	1,0 x 0,8 mm; tin plated brass
Tab	2,8 x 0,8 mm; 6,3 x 0,8 mm; tin plated brass

## OPTIONS / ACCESSORIES

- Consecutive numbering
- Special marking according to drawing
- Self-adhesive marking strip BST-5,00
- Insulation receptacles ISO
- Change of pitch
- Component mix of tab connector versions
- Tab connectors are also individually available (see single tabs GST-900)

## CONFIGURATIONS

Poles	Item	Article number	Length (L)	Packaging	PU
2	900-W-5/02	25.870.902	8,50 mm	Box	250
3	900-W-5/03	25.870.903	13,50 mm	Box	250
4	900-W-5/04	25.870.904	18,50 mm	Box	200
5	900-W-5/05	25.870.905	23,50 mm	Box	100
6	900-W-5/06	25.870.906	28,50 mm	Box	100
7	900-W-5/07	25.870.907	33,50 mm	Box	100
8	900-W-5/08	25.870.908	38,50 mm	Box	100
9	900-W-5/09	25.870.909	43,50 mm	Box	100
10	900-W-5/10	25.870.910	48,50 mm	Box	100
11	900-W-5/11	25.870.911	53,50 mm	Box	100
12	900-W-5/12	25.870.912	58,50 mm	Box	100

further number of poles on request

