

PCB板安装尺寸

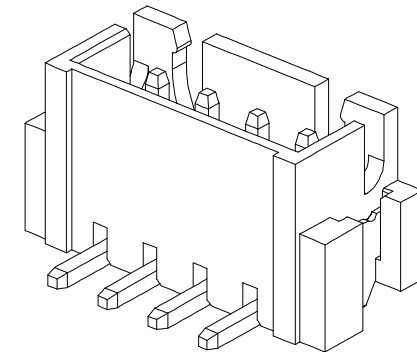
poles	A	B	C
2P	2.5	7.5	10.0
3P	5.0	10.0	12.5
4P	7.5	12.5	15.0
5P	10.0	15.0	17.5
6P	12.5	17.5	20.0
7P	15.0	20.0	22.5
8P	17.5	22.5	25.0
9P	20.0	25.0	27.5
10P	22.5	27.5	30.0
11P	25.0	30.0	32.5
12P	27.5	32.5	35.0
13P	30.0	35.0	37.5
14P	32.5	37.5	40.0
15P	35.0	40.0	42.5
16P	37.5	42.5	45.0

技术参数 (SPECIFICATIONS)

额定电压: 250V AC DC  
 Voltage rating: 250V AC DC  
 额定电流: 3.0A AC DC #22  
 Current rating: 3.0A AC DC #22  
 耐压值: 1000V AC/minute  
 Withstand voltage: 1000V AC/minute  
 绝缘电阻: 1000MΩ MIN  
 Insulation resistance: 1000MΩ MIN  
 接触电阻: 0.02Ω MAX  
 Contact resistance: 0.02Ω MAX  
 工作温度: -25℃~+85℃  
 Working Temperature: -25℃~+85℃  
 间距: 2.5mm  
 Pitch: 2.5mm

材料 (MATERIAL)

绝缘体: 尼龙9T UL94V-0  
 Insulator: PA9T UL94V-0  
 接触针: 黄铜  
 Contact Pin: Brass  
 焊片: 黄铜  
 Solder tab: Brass



APPROVALS		DATE															
DRAWN	LIUCAN	2022.9.13					TITLE:	Bar Connector Series									
CHECKED				PART NO.	2.50T-nP-WV												
APPROVALS				TOLERANCES ARE	<table border="1"> <tr> <td>30~以上</td> <td>±0.30</td> <td rowspan="4">ANGLE</td> <td rowspan="4">UNIT: mm</td> <td rowspan="4">SCALE: 1:1</td> <td rowspan="4">PROJ: </td> </tr> <tr> <td>10~30</td> <td>±0.20</td> </tr> <tr> <td>5~10</td> <td>±0.15</td> </tr> <tr> <td>~ 5</td> <td>±0.10</td> </tr> </table>	30~以上	±0.30	ANGLE	UNIT: mm	SCALE: 1:1	PROJ:	10~30	±0.20	5~10	±0.15	~ 5	±0.10
30~以上	±0.30	ANGLE	UNIT: mm	SCALE: 1:1	PROJ:												
10~30	±0.20																
5~10	±0.15																
~ 5	±0.10																
ECN NO.	REV.	DATE.	DESCRIPTION.	CHANGE.	CHECK.	APPRO.	DRAWING NO.	SHEET 1 OF 1									