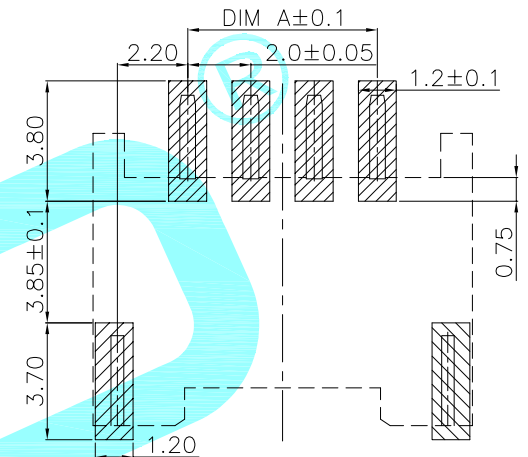
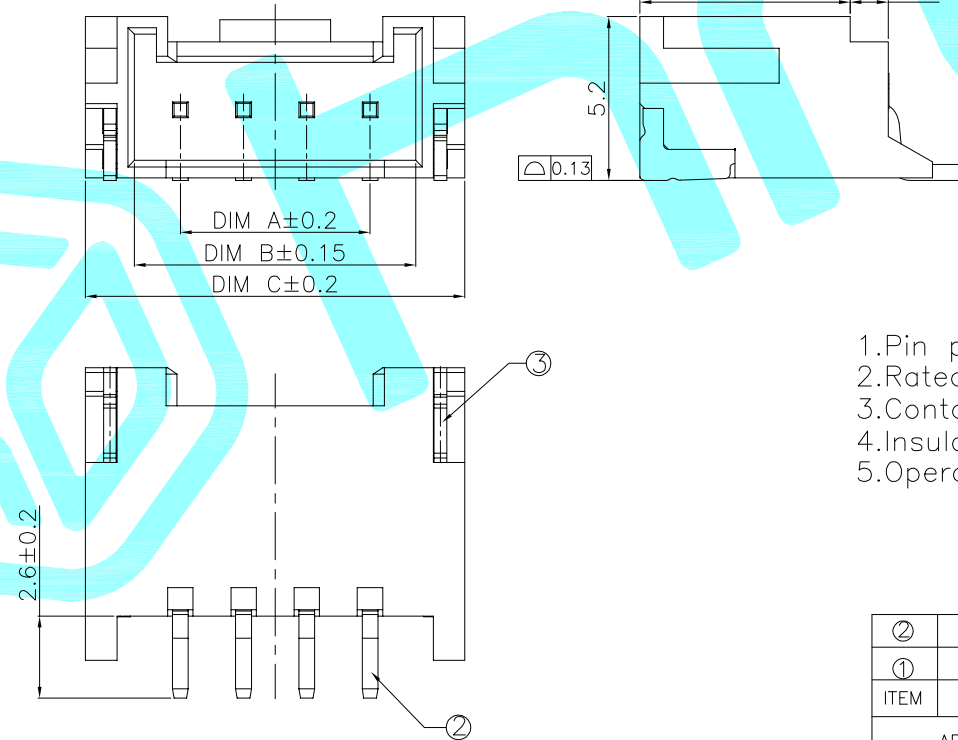
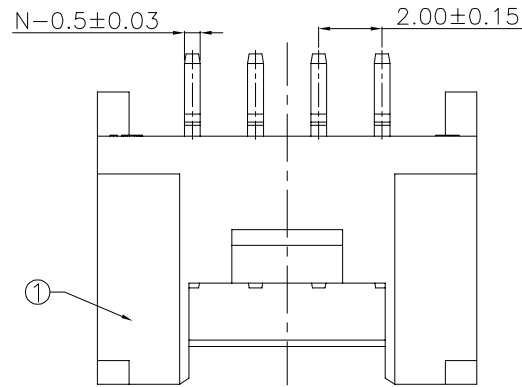


2.0T-nP-WT
 卧式、贴片
 PIN数
 PIN间距

DIM Poles	DIM A	DIM B	DIM C
2	2.00	4.90	8.00
3	4.00	6.90	10.00
4	6.00	8.90	12.00
5	8.00	10.90	14.00
6	10.00	12.90	16.00
7	12.00	14.90	18.00
8	14.00	16.90	20.00
9	16.00	18.90	22.00
10	18.00	20.90	24.00
11	20.00	22.90	26.00
12	22.00	24.90	28.00
13	24.00	26.90	30.00
14	26.00	28.90	32.00
15	28.00	30.90	34.00
16	30.00	32.90	36.00
17	32.00	34.90	38.00
18	34.00	36.90	40.00
19	36.00	38.90	42.00
20	38.00	40.90	44.00



PCB LAYOUT

- 1.Pin pitch: 2.0
- 2.Rated voltage: 200V AC
- 3.Contact resistance: ≤55mΩ
- 4.Insulation resistance: ≥1000MΩ
- 5.Operating temperature: -25°C~+85°C

②	PIN	—	—	Brass	Sn Plated	—
①	Base	—	1	LCP UL94V0	Natural	—
ITEM	PART NAME	TER'NO.	QTY.	MATERIAL	FINISHING	REMARK

APPROVALS		DATE				
DRAWN	LIUCAN	2021.5.8				
CHECKED				TITLE:	Bar Connector Series	
APPROVALS				PART NO.	2.0T-nP-WT	
TOLERANCES ARE	30~以上	±0.30	ANGLE	UNIT: mm	SCALE: 1:1	PROJ:
	10~30	±0.20				
	5~10	±0.15	±2'	DRAWING NO.		SHEET 1 OF 1
	~ 5	±0.10				

—	A	—	NEW	—	—	—
ECN NO.	REV.	DATE.	DESCRIPTION.	CHANGE.	CHECK.	APPRO.