

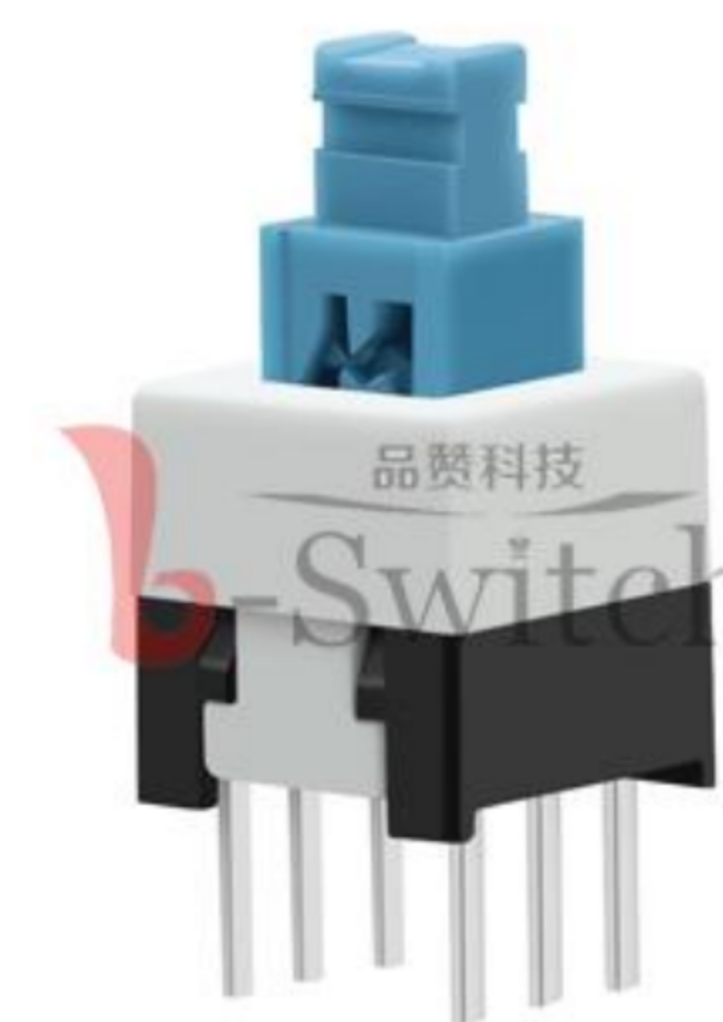
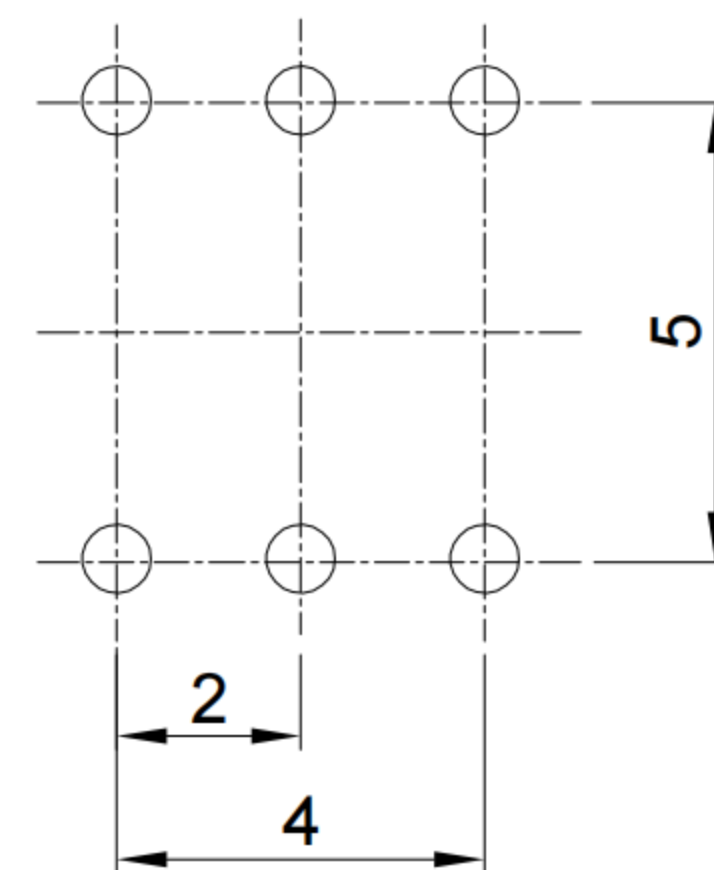
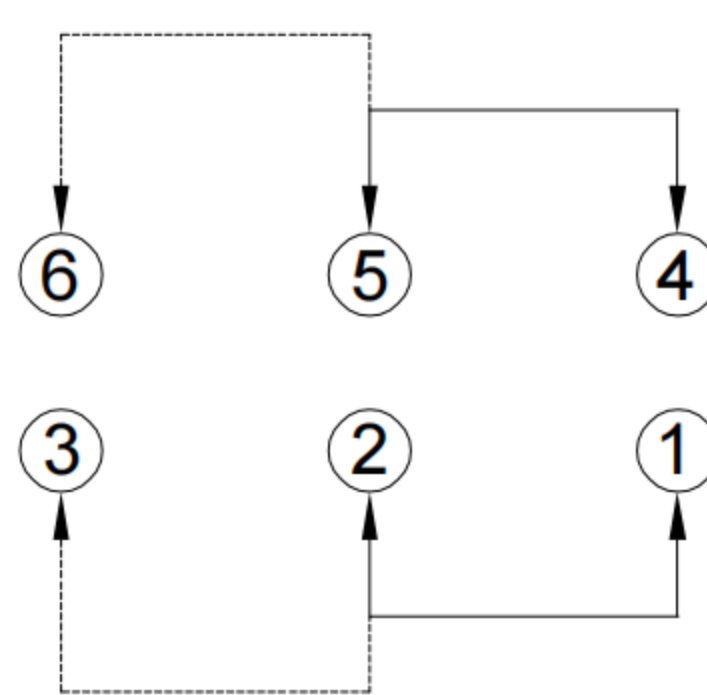
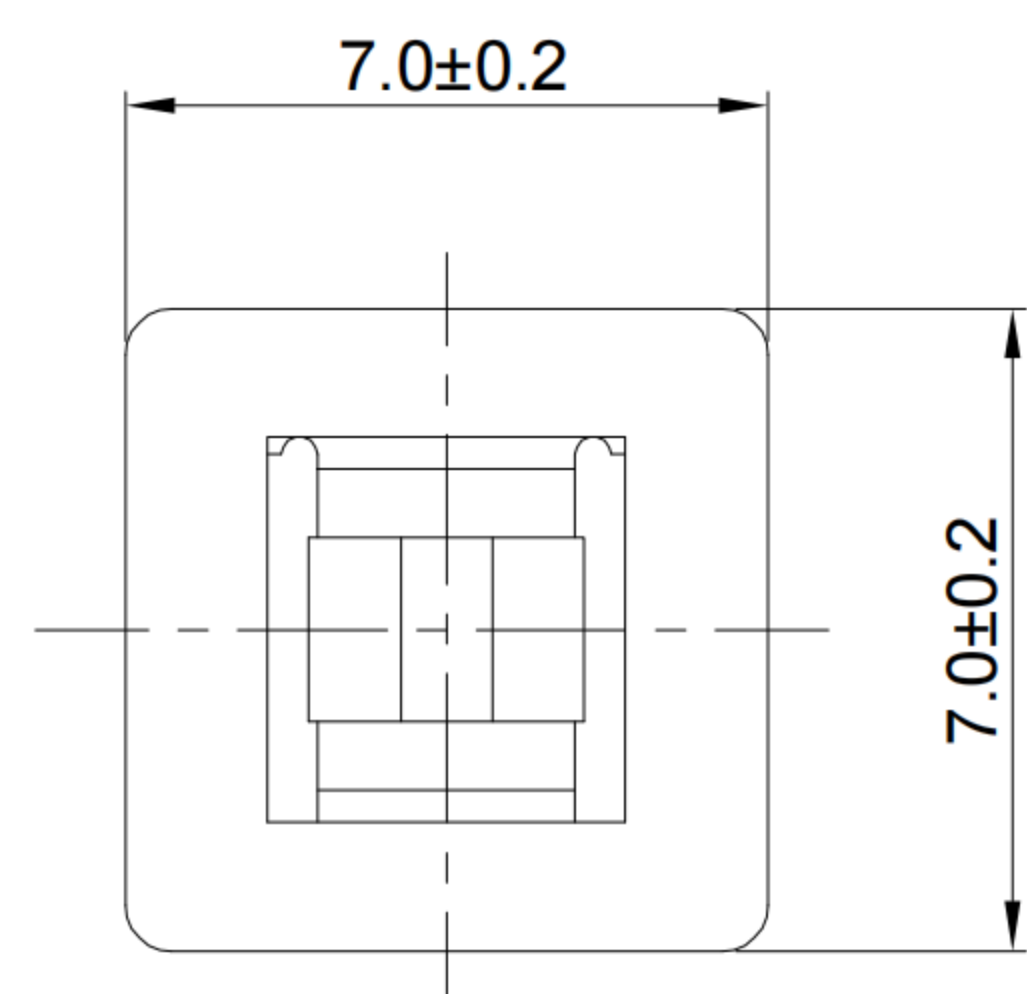
A

B

C

D

E



PUSH-ON:
2-3,5-6 Conduction
Contact Travel:1.0-1.15mm
PUSH-OFF
1-2,4-5 Conduction
Contact Travel:0.5-0.65mm

CIRCUIT DIAGRAM

RECOMMENDED PCB LAYOUT
TOLERANCE:±0.05

PS-70 54 D V X- 6P N

Push Switch

Switch Type
70=7.0×7.0mm

Switch Height
54=5.4mm

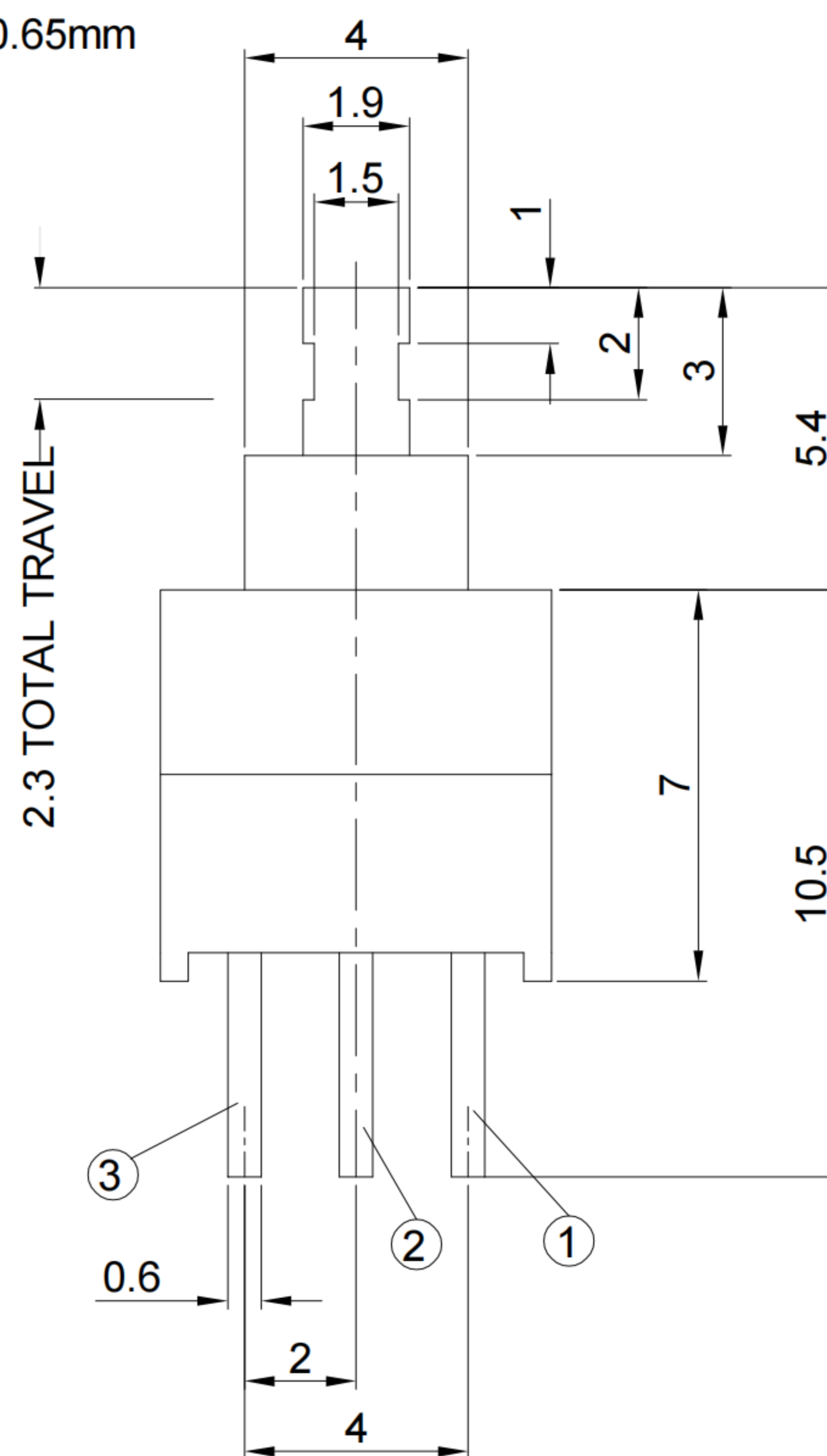
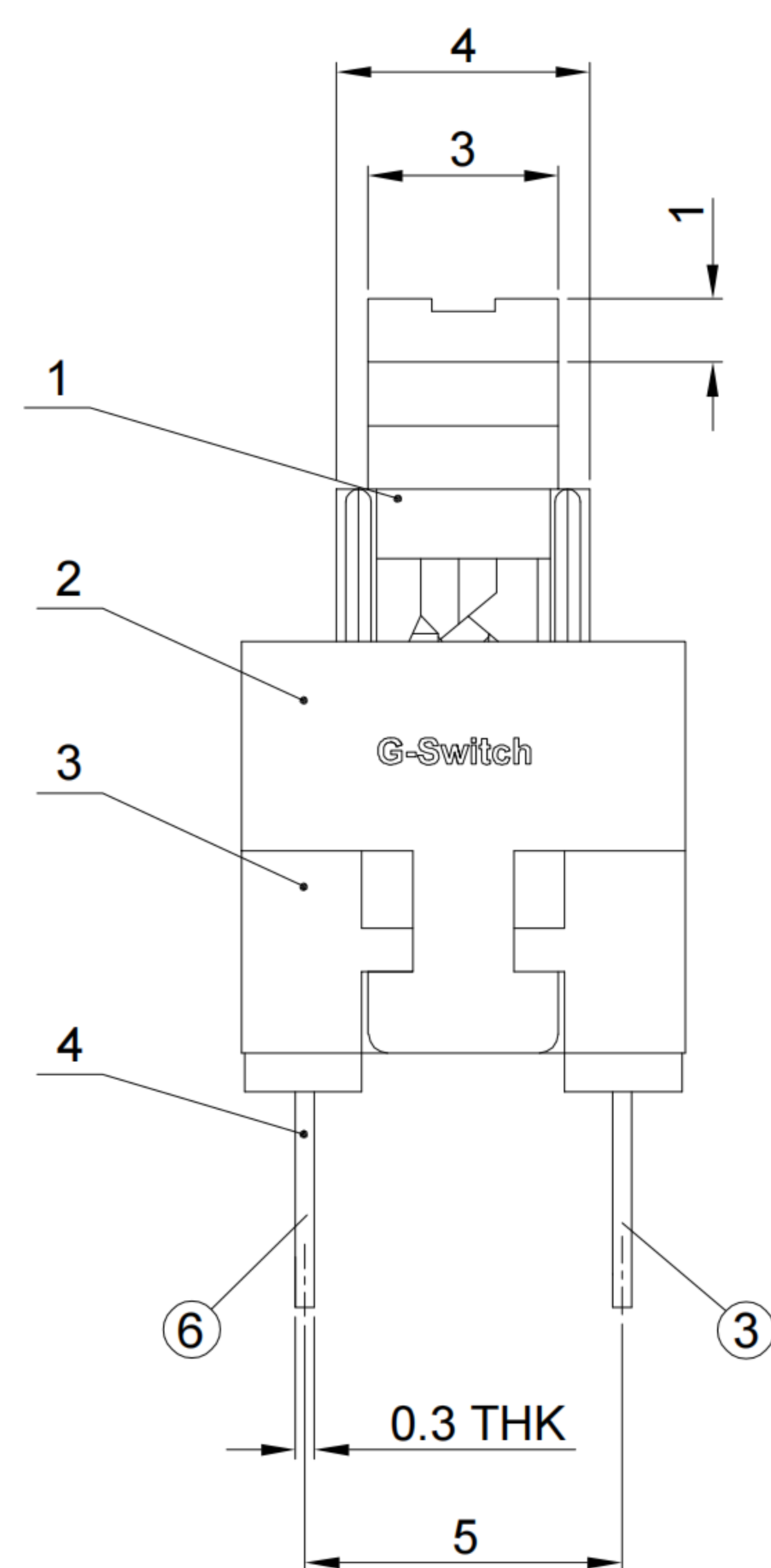
Foot Type
D=DIP

Switch Function
N=No Lock
L=Lock

Foot Position
6P=6pin

Operating Force
A=180gf
B=250gf
D=400gf

Type
V=Vertical



G-Switch Specification:

1. Operating temperature range: -40°C ~ +85°C
2. Rating: 0.5A, 24V DC
3. Insulation resistance: 100MΩ min, 100V DC
4. Dielectric strength: 500V AC for 1 min
5. Contact resistance: 100mΩ max.
6. Poles-Throws: 2P2T
7. Switch lifetime: 10,000 Cycles

NO.	PART NAME	MATERIAL	REMARK
5	SPRING	SUS	NATURAL
4	TERMINAL	BRASS STRIP	Ag PIATED
3	CASE	NYLON PA66	BLACK
2	COVER	NYLON PA66	WHITE
1	KNOB	NYLON/PBS STRIP	BLUE/Ag CLAD



SCALE: 1:1 UNIT: mm
SIZE: A4

Title: Vertical Push Switch
DIP 7.0×7.0×12.4mm

Unless otherwise
General Tolerance:

≥10 ±0.30
1.5-10 ±0.20
≤1.5 ±0.10

Molde Code: PS-7054DVX-6PN

DRAWN	CHECKED	APPROVED	DATE
Xia	Chen	Chen	2023.02.01



REV: A0 SHEET: 1/1