

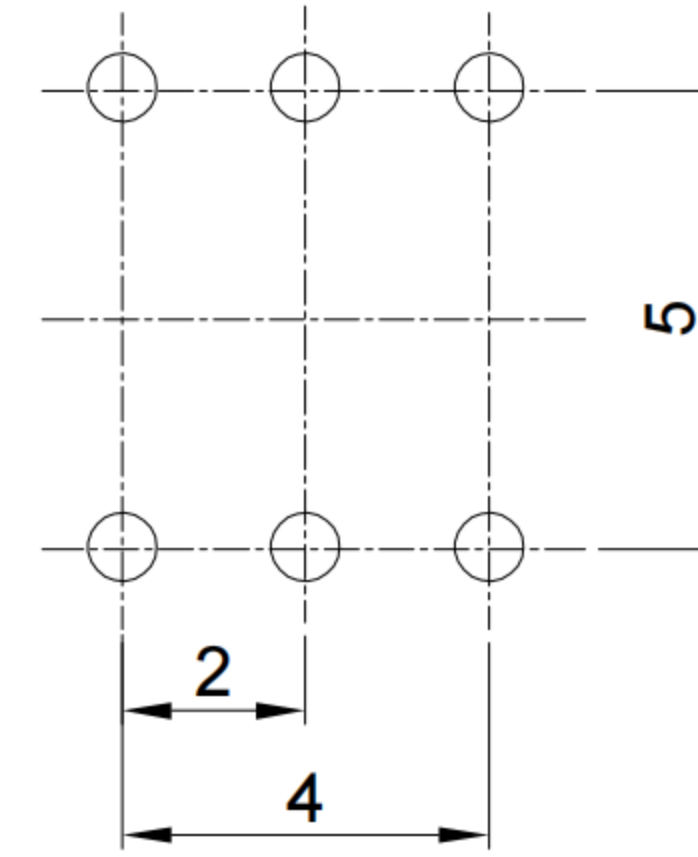
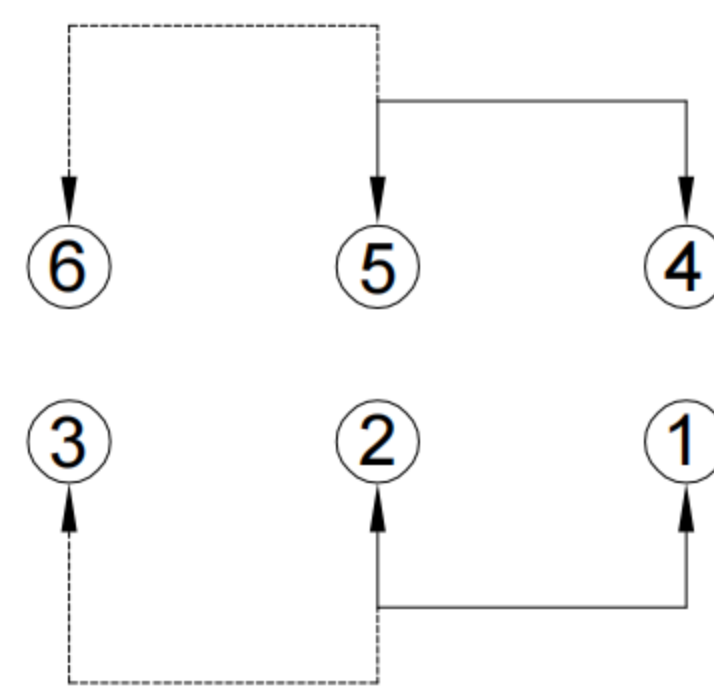
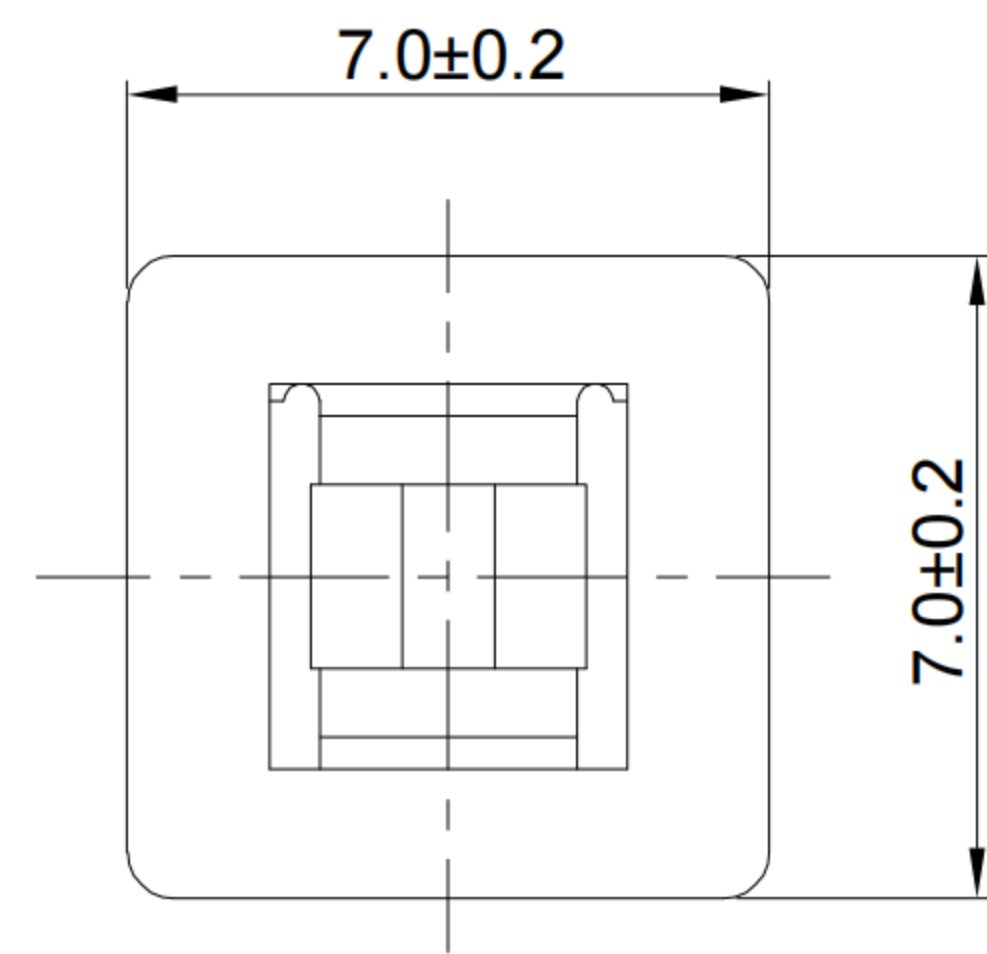
A

B

C

D

E



**PUSH-ON:**  
2-3,5-6 Conduction  
Contact Travel: 1.0-1.15mm  
**PUSH-OFF:**  
1-2,4-5 Conduction  
Contact Travel: 0.5-0.65mm

CIRCUIT DIAGRAM

RECOMMENDED PCB LAYOUT  
TOLERANCE:±0.05

### PS-70 54 D V X-6P L

Push Switch

Switch Type  
70=7.0×7.0mm

Switch Height  
54=5.4mm

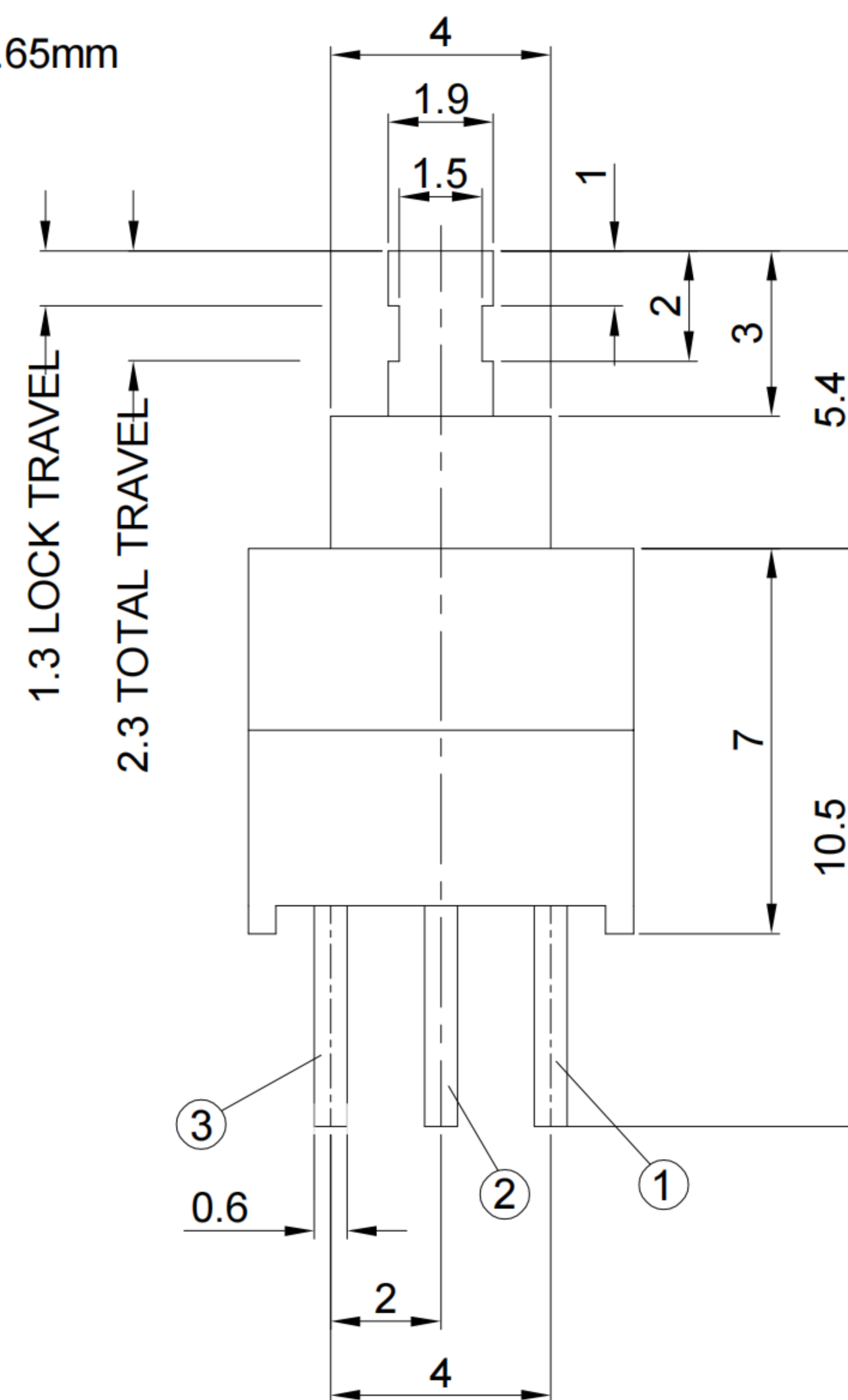
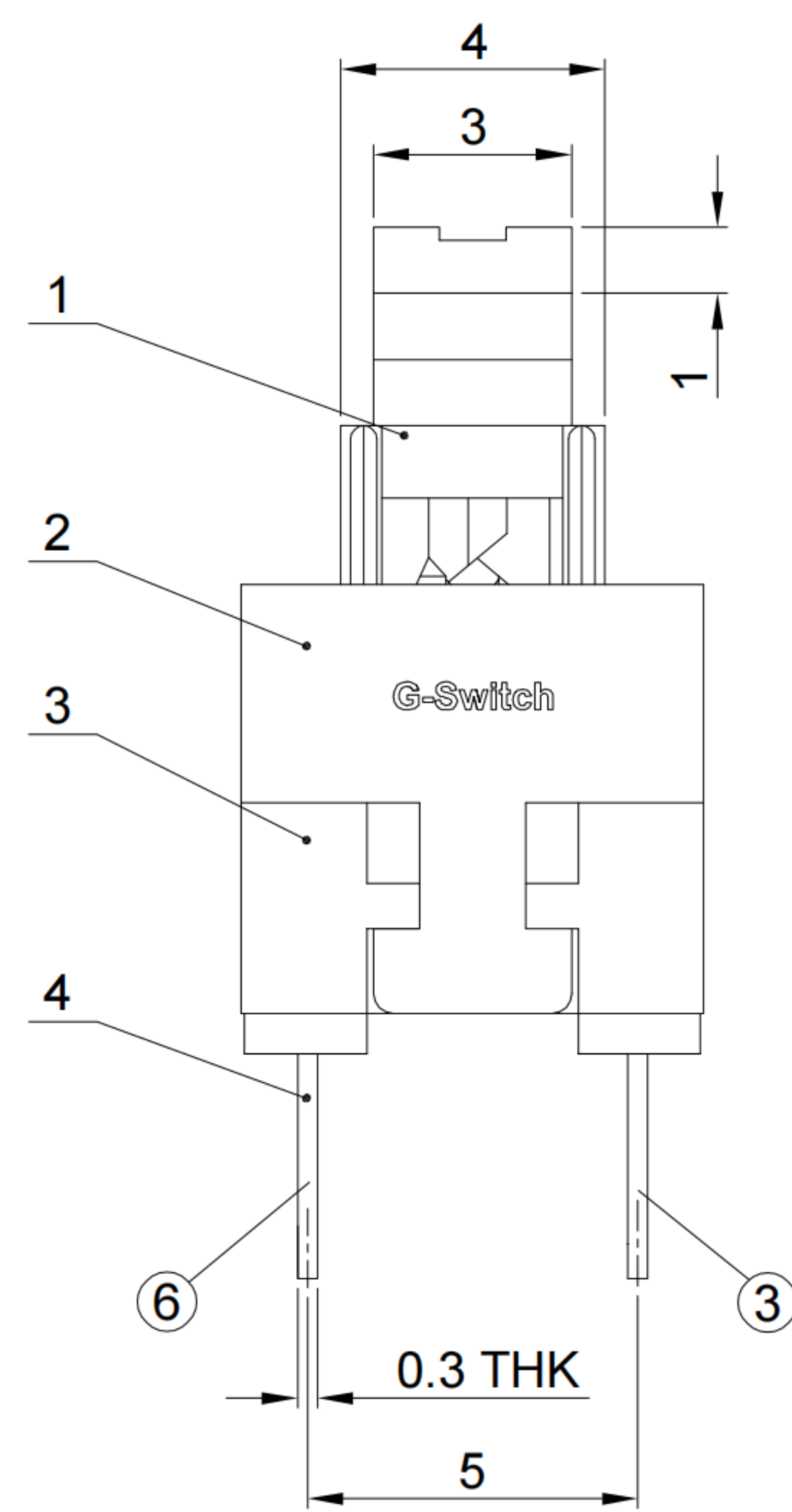
Foot Type  
D=DIP

Switch Function  
N=No Lock  
L=Lock

Foot Position  
6P=6pin

Operating Force  
A=180gf  
B=250gf  
D=400gf

Type  
V=Vertical



#### G-Switch Specification:

1. Operating temperature range: -40°C ~ +85°C
2. Rating: 0.5A.24V DC
3. Insulation resistance: 100MΩ min.100V DC
4. Dielectric strength: 500V AC for 1 min
5. Contact resistance: 100mΩ max.
6. Poles-Throws: 2P2T
7. Switch lifetime: 10,000Cycles

6	CAM STICK	SUS	NATURAL
5	SPRING	SUS	NATURAL
4	TERMINAL	BRASS STRIP	Ag PIATED
3	CASE	NYLON PA66	BLACK
2	COVER	NYLON PA66	WHITE
1	KNOB	NYLON/PBS STRIP	BLUE/Ag CLAD
NO.	PART NAME	MATERIAL	REMARK



SCALE: 1:1 UNIT: mm  
SIZE: A4

Title: Vertical Push Switch  
DIP 7.0×7.0×12.4mm

Unless otherwise  
General Tolerance:

≥10 ±0.30  
1.5-10 ±0.20  
≤1.5 ±0.10

Molde Code: PS-7054DVX-6PL

DRAWN	CHECKED	APPROVED	DATE
Xia	Chen	Chen	2023.02.01



REV: A0 SHEET: 1/1